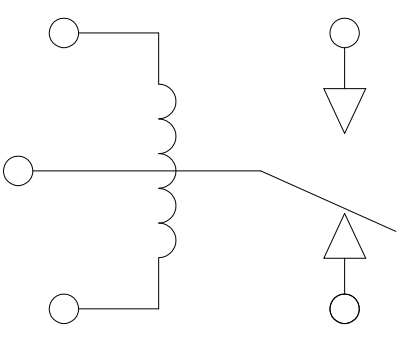
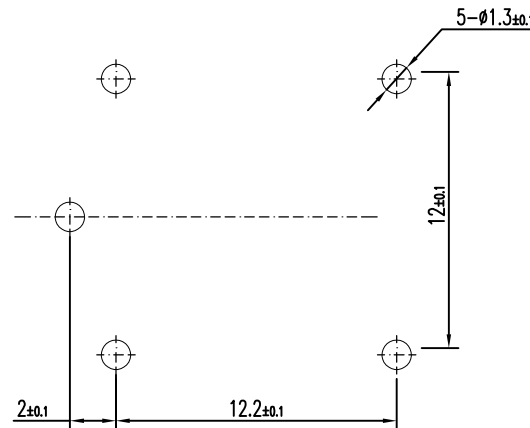


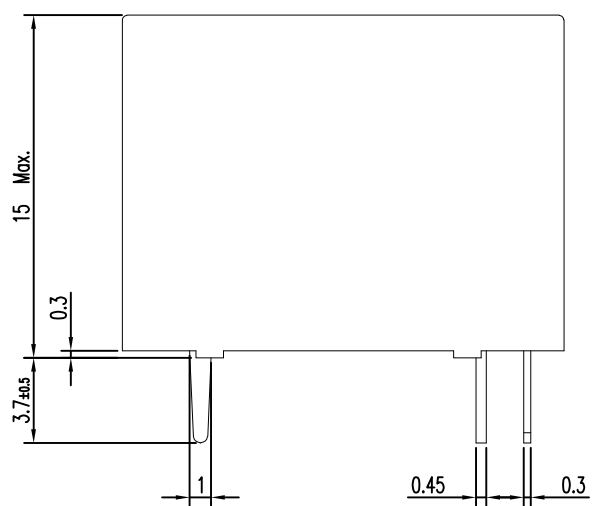
CIRCUIT DIAGRAM (BOTTOM VIEW)



DRILLING DIAGRAM (BOTTOM VIEW)



PART NO	EC TYPE NAME	PART B	PART A	ITEM
1721956-1	ORWH-SS-103H3F,000	3V	ORWH-SS-103H3F	A
1721956-2	ORWH-SS-105H3F,000	5V	ORWH-SS-105H3F	B
1721956-3	ORWH-SS-106H3F,000	6V	ORWH-SS-106H3F	C
1721956-4	ORWH-SS-109H3F,000	9V	ORWH-SS-109H3F	D
1721956-5	ORWH-SS-112H3F,000	12V	ORWH-SS-112H3F	E
1721956-6	ORWH-SS-118H3F,000	18V	ORWH-SS-118H3F	F
1721956-7	ORWH-SS-122H3F,000	22V	ORWH-SS-122H3F	G
1721956-8	ORWH-SS-124H3F,000	24V	ORWH-SS-124H3F	H
1721956-9	ORWH-SS-148H3F,000	48V	ORWH-SS-148H3F	I
1-1721956-0	ORWH-SH-103H3F,000	3V	ORWH-SH-103H3F	J
1-1721956-1	ORWH-SH-105H3F,000	5V	ORWH-SH-105H3F	K
1-1721956-2	ORWH-SH-106H3F,000	6V	ORWH-SH-106H3F	L
1-1721956-3	ORWH-SH-109H3F,000	9V	ORWH-SH-109H3F	M
1-1721956-4	ORWH-SH-112H3F,000	12V	ORWH-SH-112H3F	N
1-1721956-5	ORWH-SH-118H3F,000	18V	ORWH-SH-118H3F	O
1-1721956-6	ORWH-SH-122H3F,000	22V	ORWH-SH-122H3F	P
1-1721956-7	ORWH-SH-124H3F,000	24V	ORWH-SH-124H3F	Q
1-1721956-8	ORWH-SH-148H3F,000	48V	ORWH-SH-148H3F	R



NOTE
 ①.LOT NO. SYSTEM AS FOLLOWING:

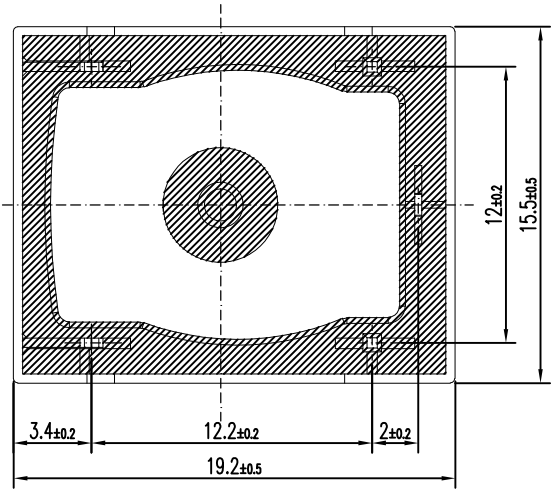
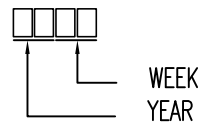


Diagram dimension	Tolerance
0.99mm max.	±0.1mm
1 - 2.99mm	±0.2mm
3mm min.	±0.3mm

CLASS	UV RESIN	UV SEAL	ITEM	
	EPOXY RESIN	SEAL	14	
CLASS 155 F	MW79	MAGNETIC WIRE	12	
	HCP	COIL TERMINAL	11	
UL94 V-0	PET	BOBBIN	10	
UL94 V-0	NYLON	CASE	9	
	Ag ALLOY	STATIONARY CONTACT	8	
	Ag ALLOY	MOVABLE CONTACT	7	
	Cu ALLOY	MOVABLE SPRING	6	
	Cu ALLOY	NC TERMINAL	5	
	Cu ALLOY	NO TERMINAL	4	
	Ni PLATED STEEL	CORE	3	
	Cu PLATED STEEL	ARMATURE FORM C	2	
	Ni PLATED STEEL	YOKE	1	
INCOMBUSTIBILITY	TREATMENT	MATERIAL	DESCRIPTION	ITEM

DWN Fu Bo			
CHK XN.ZHANG			
APVD CH.HSU			
DIMENSIONS: mm		PRODUCT SPEC	
TOLERANCES UNLESS OTHERWISE SPECIFIED:		APPLICATION SPEC	
0 PLC ±		WEIGHT	
1 PLC ±		SIZE A3	
2 PLC ±		GAGE CODE 00779	
3 PLC ±		DRAWING NO. 1721956	
4 PLC ±		RESTRICT TO	
MATERIAL SEE MATERIAL TABLE		FINISH	
CUSTOMER DRAWING		SCALE 3:1	
		SHEET 1 OF 1	
		REV B1	