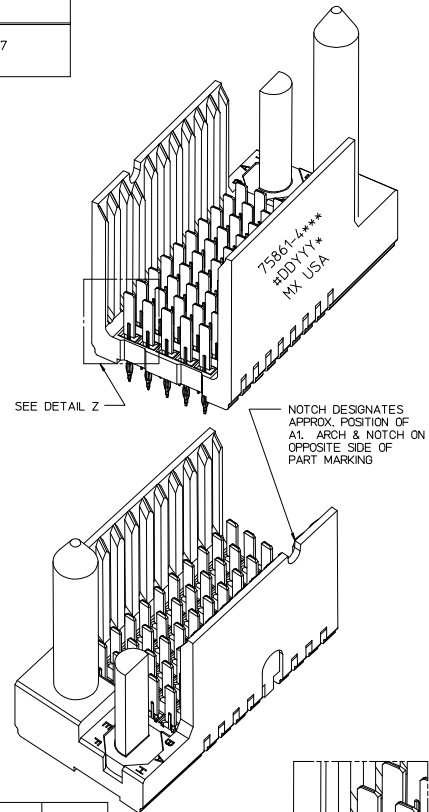
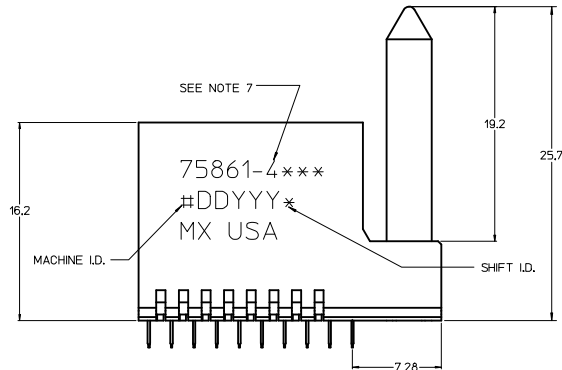
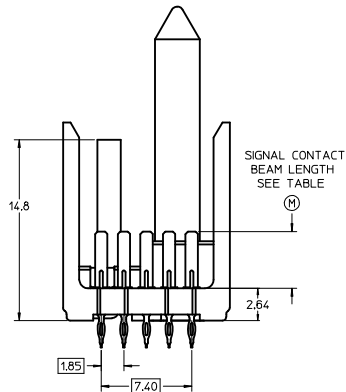


75861-4\*\*\*  
 COLUMN:  
 01 = 10  
 02 = 25  
 05 = 5  
 KEYING POSITION:  
 0 = NONE  
 1 = A  
 2 = B  
 ETC.

PIN LENGTH DIM "M"	GOLD (Au) THICKNESS micrometers
0=3.55 mm	0.25 (MAPS)
1=4.55 mm	
2=5.55 mm	
3=3.55 mm	0.76
4=4.55 mm	
5=5.55 mm	
7=3.55 mm	1.27
8=4.55 mm	
9=5.55 mm	

CONFIGURATION			
ASSEMBLY NO.	K	N	(L)
75861-45**	4	7.40	15.53
75861-41**	9	16.65	24.78
75861-42**	24	44.40	52.53



THE PRIMARY CARTON WITH A LABEL STATING "ELV AND RoHS COMPLAINT" IS LEAD FREE. CARTONS WITHOUT THIS LABEL MAY CONTAIN LEAD.

- NOTES:
- MATERIAL: HOUSING - LIQUID CRYSTAL POLYMER (LCP), GLASS-FILLED, UL 94V-0, GRAY, SIGNAL CONTACTS - HIGH PERFORMANCE COPPER ALLOY.
  - FINISHES: SELECTIVE GOLD (Au) ON CONTACT AREA, SELECTIVE MATTE TIN (Sn) ON TAIL AREA, NICKEL (Ni) OVERALL.
  - 10-COLUMN ASSEMBLY SHOWN AS REFERENCE. SEE TABLE AND CHART FOR OTHER OPTIONS.
  - PARTS PACKAGED PER PK-70873-5056.
  - THIS PART CONFORMS TO MOLEX PRODUCT SPECIFICATION PS-75221-999.
  - FOR MIXED CONTACT LENGTHS CONSULT MOLEX.
  - EITHER MARK PART NUMBER AND DATE CODE APPROXIMATELY WHERE SHOWN OR PLACE A LABEL ON THE TUBE.
  - MINIMUM CIRCUIT BOARD THICKNESS: 1.6
  - OPTIONAL HOLE LOCATION FOR GROUNDED GUIDE PIN OR FOR ADDITIONAL GUIDE PIN SUPPORT. FOR GROUNDED GUIDE, HOLE TO BE PLATED, DRILL SIZE Ø2.58, PAD SIZE Ø5.50
  - THESE PARTS CONFORM TO MOLEX COSMETIC SPECIFICATION PS-45499-002 CLASS B.
  - MAPS (MOLEX ADVANCED PLATING SYSTEM).

LEAD-FREE PLATING

P/N	---0*	---1*	---2*	---3*	---4*	---5*	---6*	---7*	---8*
75861-( )	0	A	B	C	D	E	F	G	H
KEYING PIN ORIENTATION									



REV	DESCRIPTION	QUALITY SYMBOLS	GENERAL TOLERANCES (UNLESS SPECIFIED)		DIMENSION STYLE	SCALE	DESIGN UNITS	THIRD ANGLE PROJECTION
			mm	INCH				
REV TO LEAD-FREE	2012/09/05		4 PLACES ±0.25	±0.13	MM ONLY	5:1	METRIC	
EC NO: UCP2013-1905	2012/09/05		3 PLACES ±0.25	±0.13				
DRWINGS	2012/09/05		2 PLACES ±0.25	±0.13				
CHKD:WOLFE	2012/09/05		1 PLACE ±0.38	±0.13				
APPR:SMILLER	2012/12/05		0 PLACE ±---	±---				
			ANGULAR ±1/2°		DRAWN BY		DATE	
			DRAFT WHERE APPLICABLE MUST REMAIN WITHIN DIMENSIONS		J.B. INGHAM		2006/02/06	
					CHECKED BY		DATE	
					K.MULVEY		2006/02/06	
					APPROVED BY		DATE	
					SMILLER		2012/12/05	
					MATERIAL NO.		DOCUMENT NO.	
					SEE CHART		SD-75861-410	
					TITLE		GBX 2-PAIR L-SERIES LF RIGHT END BACKPLANE SALES ASSEMBLY DRAWING	
					SHEET NO.		1 OF 1	
					THIS DRAWING CONTAINS INFORMATION THAT IS PROPRIETARY TO MOLEX INCORPORATED AND SHOULD NOT BE USED WITHOUT WRITTEN PERMISSION			