

10 9 8 7 6 5 4 3 2 1

F

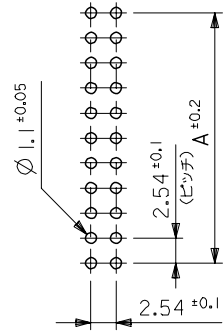
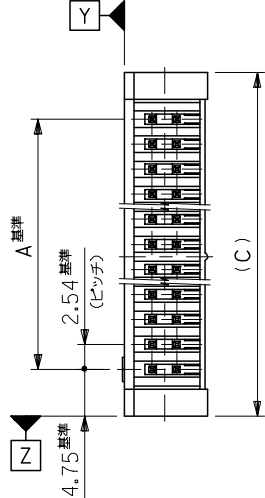
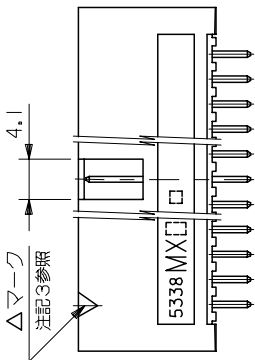
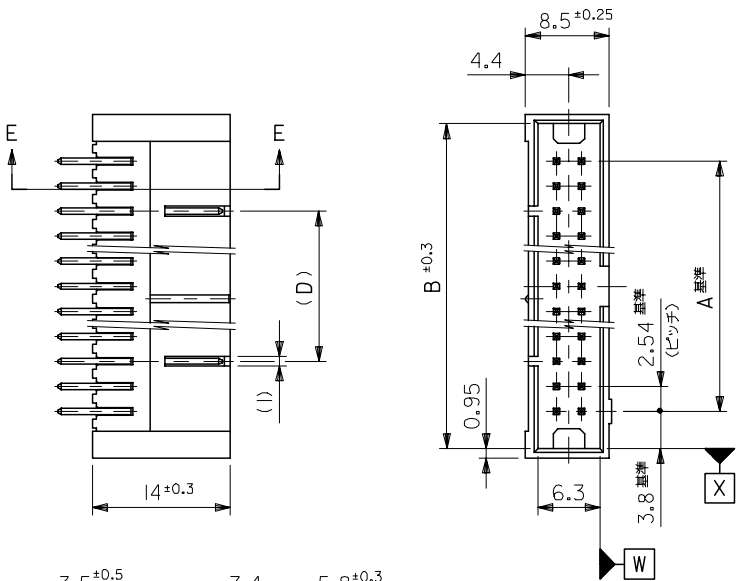
E

D

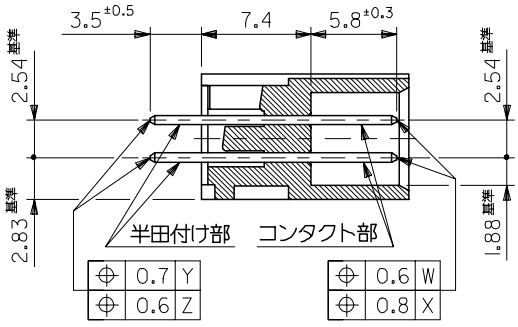
C

B

A



基板取付穴推奨寸法



SECT. E-E
(SCALE 3-1)

| | |
|---------|---------|
| ⌀ 0.7 Y | ⌀ 0.6 W |
| ⌀ 0.6 Z | ⌀ 0.8 X |

注記

- 材料 ウエハー : ガラス繊維 15% 入り PBTP (UL94V-0), 黒色
ピン : 黄銅, サイズ □0.635
- 嵌合相手 : 5320 シリーズ
- 使用符号の説明

5332 - N *
 ベースナンバー _____
 極数 _____
 ピンのメッキコード _____

| コード* | △マークの色 | コンタクト部 | 半田付け部 | 下地メッキ |
|-----------------|--------|---------------|-------------|-----------------|
| GS1 | 黄 | 金 0.1μm MIN. | 半田 3μm MIN. | ニッケル 1μm MIN. |
| GS3 | 青 | 金 0.25μm MIN. | | |
| LEAD-FREE GS17F | 黄 | 金 0.1μm MIN. | 錫 1μm MIN. | ニッケル 0.5μm MIN. |
| LEAD-FREE GS37F | 青 | 金 0.25μm MIN. | | |
| LEAD-FREE T2 | 黒 | | 錫 1μm MIN. | |

| | | | | |
|----|-------|-------|-------|-------|
| 60 | 73.66 | 81.26 | 83.16 | 63.50 |
| 50 | 60.96 | 68.56 | 70.46 | 50.80 |
| 40 | 48.26 | 55.86 | 57.76 | 38.10 |
| 34 | 40.64 | 48.24 | 50.14 | 30.48 |
| 30 | 35.56 | 43.16 | 45.06 | 25.40 |
| 26 | 30.48 | 38.08 | 39.98 | — |
| 20 | 22.86 | 30.46 | 32.36 | — |
| 16 | 17.78 | 25.38 | 27.28 | — |
| 14 | 15.24 | 22.84 | 24.74 | — |
| 10 | 10.16 | 17.76 | 19.66 | — |
| 極数 | A 寸法 | B 寸法 | C 寸法 | D 寸法 |

| | | | | | | | |
|---|---------------------------------------|------------------|----------------------------|--------------------|---|------------------------|------------------------|
| REVISED EC NO: J2006-2606 DRWN: TAKEMOTO 2006/03/22 CHKD: TANAKA 2006/03/22 APPR: NUKITA 2006/03/24 | GENERAL TOLERANCES (UNLESS SPECIFIED) | | DIMENSION STYLE MM ONLY | | SCALE 2:1 | DESIGN UNITS METRIC | THIRD ANGLE PROJECTION |
| | 10 UNDER | ±0.2 | DRAWN BY H. HIRAMOTO | DATE 1990/06/19 | TITLE QIK FLECS WAFER ASSY ST JAPANESE ONLY | | |
| | 10 OVER 30 UNDER | ±0.25 | CHECKED BY M. SASAO | DATE | | | |
| | 30 OVER | ±0.3 | APPROVED BY H. IKESUGI | DATE | MOLEX INCORPORATED | | |
| ANGULAR | ±3 ° | MATERIAL NO. | DOCUMENT NO. | SHEET NO. | | | |
| DRAFT WHERE APPLICABLE MUST REMAIN WITHIN DIMENSIONS | | SEE SHEET 2 OF 2 | | SD-5332-001 | | 1 OF 2 | |
| THIS DRAWING CONTAINS INFORMATION THAT IS PROPRIETARY TO MOLEX INCORPORATED AND SHOULD NOT BE USED WITHOUT WRITTEN PERMISSION | | | | | | | |

10 9 8 7 6 5 4 3 2 1

F

F

E

E

D

D

C

C

B

B

A

A

| | | |
|------------|-------------|-----|
| | | 60 |
| | | 50 |
| | | 40 |
| 39-28-534I | 5332-34T2 | 34 |
| ▲ -530I | ▲ -30T2 | 30 |
| -526I | -26T2 | 26 |
| -520I | -20T2 | 20 |
| -516I | -16T2 | 16 |
| ▼ -514I | ▼ -14T2 | 14 |
| 39-28-510I | 5332-10T2 | 10 |
| EDP NO. | ENG. NO. | |
| 5332-NT2 | -LEAD FREE- | 極 数 |

| | | | | |
|-------------|--------------|------------|------------|-----|
| 39-53-6606 | 5332-60GS37F | 39-26-7607 | 5332-60GS3 | 60 |
| ▲ -6506 | ▲ -50GS37F | ▲ -7507 | ▲ -50GS3 | 50 |
| -6406 | -40GS37F | -7407 | -40GS3 | 40 |
| -6346 | -34GS37F | -7347 | -34GS3 | 34 |
| -6306 | -30GS37F | -7307 | -30GS3 | 30 |
| -6266 | -26GS37F | -7267 | -26GS3 | 26 |
| -6206 | -20GS37F | -7207 | -20GS3 | 20 |
| -6166 | -16GS37F | -7167 | -16GS3 | 16 |
| ▼ -6146 | ▼ -14GS37F | ▼ -7147 | ▼ -14GS3 | 14 |
| 39-53-6106 | 5332-10GS37F | 39-26-7107 | 5332-10GS3 | 10 |
| EDP NO. | ENG. NO. | EDP NO. | ENG. NO. | |
| 5332-NGS37F | -LEAD FREE- | 5332-NGS3 | | 極 数 |

| | | | | |
|-------------|--------------|------------|------------|-----|
| 39-53-6604 | 5332-60GS17F | 39-26-7605 | 5332-60GS1 | 60 |
| ▲ -6504 | ▲ -50GS17F | ▲ -7505 | ▲ -50GS1 | 50 |
| -6404 | -40GS17F | -7405 | -40GS1 | 40 |
| -6344 | -34GS17F | -7345 | -34GS1 | 34 |
| -6304 | -30GS17F | -7305 | -30GS1 | 30 |
| -6264 | -26GS17F | -7265 | -26GS1 | 26 |
| -6204 | -20GS17F | -7205 | -20GS1 | 20 |
| -6164 | -16GS17F | -7165 | -16GS1 | 16 |
| ▼ -6144 | ▼ -14GS17F | ▼ -7145 | ▼ -14GS1 | 14 |
| 39-53-6104 | 5332-10GS17F | 39-26-7105 | 5332-10GS1 | 10 |
| EDP NO. | ENG. NO. | EDP NO. | ENG. NO. | |
| 5332-NGS17F | -LEAD FREE- | 5332-NGS1 | | 極 数 |

| | | | | | | | | | |
|---|---------------------------------------|-----------|----------------------------|-------------|--------------------|--|------------------------|--|--|
| REVISED EC NO: J2006-2606 DRWN: TAKEMOTO 2006/03/22 CHKD: TANAKA 2006/03/22 APPR: NUKITA 2006/03/24 | GENERAL TOLERANCES (UNLESS SPECIFIED) | | DIMENSION STYLE MM ONLY | | SCALE 2:1 | DESIGN UNITS METRIC | THIRD ANGLE PROJECTION | | |
| | 10 UNDER | ± 0.2 | DRAWN BY H. HIRAMOTO | | DATE 1990/06/19 | TITLE QIK FLECS WAFER ASSY ST. JAPANESE ONLY | | | |
| | 10 OVER 30 UNDER | ± 0.25 | CHECKED BY M. SASAO | | DATE | | | | |
| | 30 OVER | ± 0.3 | APPROVED BY H. IKESUGI | | DATE | MOLEX INCORPORATED | | | |
| | ANGULAR | ± 3 ° | MATERIAL NO. | | DOCUMENT NO. | | | | |
| DRAFT WHERE APPLICABLE MUST REMAIN WITHIN DIMENSIONS | | SEE CHART | | SD-5332-001 | | 2 OF 2 | | | |

9

8

7

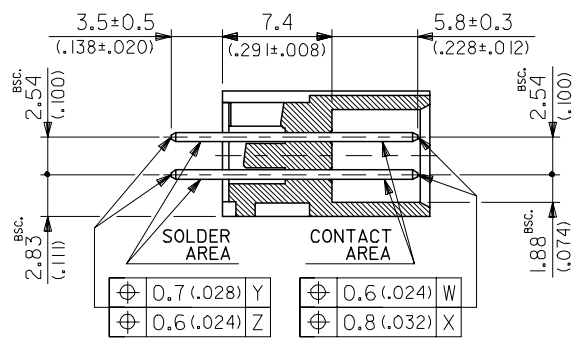
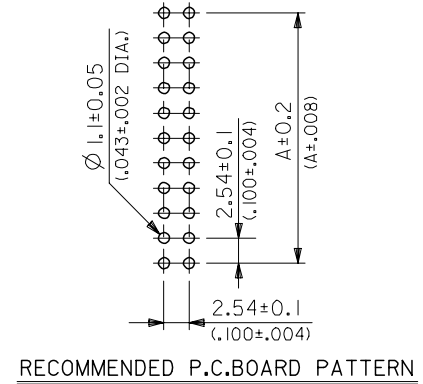
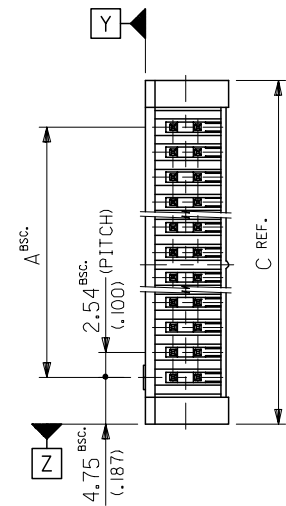
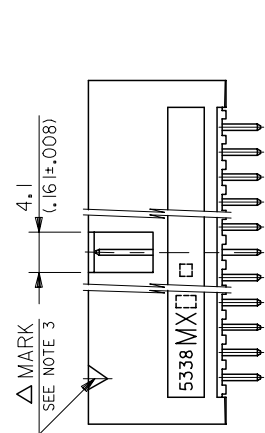
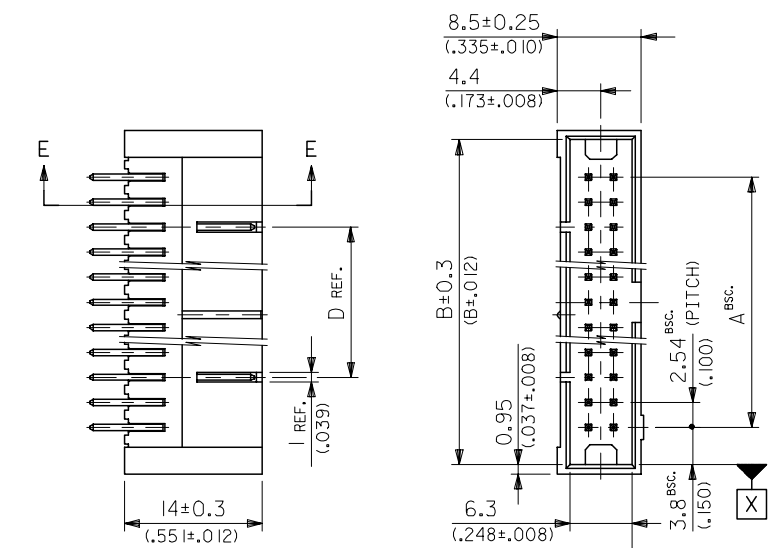
6

5

4

3

2



| | |
|----------------|----------------|
| ⊕ 0.7 (.028) Y | ⊕ 0.6 (.024) W |
| ⊕ 0.6 (.024) Z | ⊕ 0.8 (.032) X |

SECT. E-E
(SCALE 3-1)

NOTES

- MATERIAL WAFER : G.F. 15% PBT (UL94V-0) , COLOR---BLACK
PINS : BRASS, SIZE--- □0.635(.025 SQ.)
- MATES WITH MOLEX CONNECTOR SERIES OF 5320.
- LEGEND

5332 - N *
BASE NUMBER _____
CIRCUIT SIZE _____
PLATING CODE OF PIN _____

| CODE:* | △ MARK COLOR | CONTACT AREA | SOLDER AREA | UNDER PLATE |
|-----------------|--------------|---------------------------|----------------------------|----------------------------|
| GS1 | YELLOW | GOLD 0.1 μm(.000004) MIN. | TIN-LEAD 3 μm(.00012) MIN. | NICKEL 1 μm(.00004) MIN. |
| GS3 | BLUE | GOLD 0.25 μm(.00001) MIN. | TIN 1 μm(.00004) MIN. | |
| LEAD-FREE GS17F | YELLOW | GOLD 0.1 μm(.000004) MIN. | TIN 1 μm(.00004) MIN. | NICKEL 0.5 μm(.00002) MIN. |
| LEAD-FREE GS37F | BLUE | GOLD 0.25 μm(.00001) MIN. | TIN 1 μm(.00004) MIN. | |
| LEAD-FREE T2 | BLACK | TIN 1 μm(.00004) MIN. | | |

| | | | | | |
|---|--------------|---------------|---------------|---------------|---------------|
| | 60 | 73.66 (2.900) | 81.26 (3.200) | 83.16 (3.274) | 63.50 (2.500) |
| | 50 | 60.96 (2.400) | 68.56 (2.700) | 70.46 (2.774) | 50.80 (2.000) |
| | 40 | 48.26 (1.900) | 55.86 (2.200) | 57.76 (2.274) | 38.10 (1.500) |
| | 36 | 43.18 (1.700) | 50.78 (2.000) | 52.68 (2.074) | 33.02 (1.300) |
| | 34 | 40.64 (1.600) | 48.24 (1.900) | 50.14 (1.974) | 30.48 (1.200) |
| | 30 | 35.56 (1.400) | 43.16 (1.700) | 45.06 (1.774) | 25.40 (1.000) |
| | 26 | 30.48 (1.200) | 38.08 (1.500) | 39.98 (1.574) | — # — |
| | 20 | 22.86 (.900) | 30.46 (1.200) | 32.36 (1.274) | — # — |
| A | 16 | 17.78 (.700) | 25.38 (1.000) | 27.28 (1.074) | — # — |
| | 14 | 15.24 (.600) | 22.84 (.900) | 24.74 (.974) | — # — |
| | 10 | 10.16 (.400) | 17.76 (.700) | 19.66 (.774) | — # — |
| | NO. OF CKTS. | DIM. A | DIM. B | DIM. C | DIM. D |

| | | | | | | | |
|---|---------------------------------------|---|----------------------------------|--|-----------------------------|------------------------|------------------------|
| REVISED EC NO: J2006-2606 DR: WNTAKEMOTO 2006/03/22 CHKD: M TANAKA 2006/03/22 APPR: NUKITA 2006/03/24 | GENERAL TOLERANCES (UNLESS SPECIFIED) | | DIMENSION STYLE MM/IN | | SCALE 2:1 | DESIGN UNITS METRIC | THIRD ANGLE PROJECTION |
| | 10 UNDER | ±0.2 | DRAWN BY H. HIRAMOTO | | DATE 1989/07/18 | | |
| | 10 OVER 30 UNDER | ±0.25 | CHECKED BY M. SASAO | | DATE | | |
| | 30 OVER | ±0.3 | APPROVED BY H. IKESUGI | | DATE | | |
| | ANGULAR | ±3 ° | MATERIAL NO. SEE SHEET 2 OF 2 | | DOCUMENT NO. SD-5332-003 | | SHEET NO. 1 OF 2 |
| DRAFT WHERE APPLICABLE MUST REMAIN WITHIN DIMENSIONS | | THIS DRAWING CONTAINS INFORMATION THAT IS PROPRIETARY TO MOLEX INCORPORATED AND SHOULD NOT BE USED WITHOUT WRITTEN PERMISSION | | | | | |

10 9 8 7 6 5 4 3 2 1

F

E

D

C

B

A

| | | |
|------------|-------------|-----------|
| | | 60 |
| | | 50 |
| | | 40 |
| | | 36 |
| 39-28-5341 | 5332-34T2 | 34 |
| ↑ -5301 | ↑ -30T2 | 30 |
| -5261 | ↑ -26T2 | 26 |
| -5201 | -20T2 | 20 |
| ↓ -5161 | ↓ -16T2 | 16 |
| ↓ -5141 | ↓ -14T2 | 14 |
| 39-28-5101 | 5332-10T2 | 10 |
| EDP NO. | ENG. NO. | CKT. SIZE |
| 5332-NT2 | -LEAD FREE- | |

| | | | | |
|-------------|--------------|------------|------------|-----------|
| 39-53-6606 | 5332-60GS37F | 39-26-7607 | 5332-60GS3 | 60 |
| ↑ -6506 | ↑ -50GS37F | ↑ -7507 | ↑ -50GS3 | 50 |
| -6406 | -40GS37F | -7407 | -40GS3 | 40 |
| -6366 | -36GS37F | -7367 | -36GS3 | 36 |
| -6346 | -34GS37F | -7347 | -34GS3 | 34 |
| -6306 | -30GS37F | -7307 | -30GS3 | 30 |
| -6266 | -26GS37F | -7267 | -26GS3 | 26 |
| -6206 | -20GS37F | -7207 | -20GS3 | 20 |
| -6166 | -16GS37F | -7167 | -16GS3 | 16 |
| ↓ -6146 | ↓ -14GS37F | ↓ -7147 | ↓ -14GS3 | 14 |
| 39-53-6106 | 5332-10GS37F | 39-26-7107 | 5332-10GS3 | 10 |
| EDP NO. | ENG. NO. | EDP NO. | ENG. NO. | CKT. SIZE |
| 5332-NGS37F | -LEAD FREE- | 5332-NGS3 | | |
| 39-53-6604 | 5332-60GS17F | 39-26-7605 | 5332-60GS1 | 60 |
| ↑ -6504 | ↑ -50GS17F | ↑ -7505 | ↑ -50GS1 | 50 |
| -6404 | -40GS17F | -7405 | -40GS1 | 40 |
| -6364 | -36GS17F | -7365 | -36GS1 | 36 |
| -6344 | -34GS17F | -7345 | -34GS1 | 34 |
| -6304 | -30GS17F | -7305 | -30GS1 | 30 |
| -6264 | -26GS17F | -7265 | -26GS1 | 26 |
| -6204 | -20GS17F | -7205 | -20GS1 | 20 |
| -6164 | -16GS17F | -7165 | -16GS1 | 16 |
| ↓ -6144 | ↓ -14GS17F | ↓ -7145 | ↓ -14GS1 | 14 |
| 39-53-6104 | 5332-10GS17F | 39-26-7105 | 5332-10GS1 | 10 |
| EDP NO. | ENG. NO. | EDP NO. | ENG. NO. | CKT. SIZE |
| 5332-NGS17F | -LEAD FREE- | 5332-NGS1 | | |

| | | | | | | | | | | |
|---|--------------------|---------------------------------------|-----------|---------------------------|---------------------|--|------------------------|------------------------|--|--|
| REVISED EC NO: J2006-2606 DRWN: TAKEMOTO 2006/03/22 CHKD: TANAKA 2006/03/22 APPR: NUKITA 2006/03/24 | DESCRIPTION REV | GENERAL TOLERANCES (UNLESS SPECIFIED) | | DIMENSION STYLE MM/IN | | SCALE 2:1 | DESIGN UNITS METRIC | THIRD ANGLE PROJECTION | | |
| | | 10 UNDER | ± 0.2 | DRAWN BY H. HIRAMOTO | DATE 1989/07/18 | TITLE QIK FLECS WAFER ASSY ST ENGLISH ONLY | | | | |
| | | 10 OVER 30 UNDER | ± 0.25 | CHECKED BY M. SASAO | DATE | | | | | |
| | | 30 OVER | ± 0.3 | APPROVED BY H. IKESUGI | DATE | | | | | |
| | | ANGULAR | ± 3 ° | MATERIAL NO. | DOCUMENT NO. | MOLEX INCORPORATED | | | | |
| DRAFT WHERE APPLICABLE MUST REMAIN WITHIN DIMENSIONS | | SIZE A3 | SEE CHART | SD-5332-003 | SHEET NO. 2 OF 2 | | | | | |