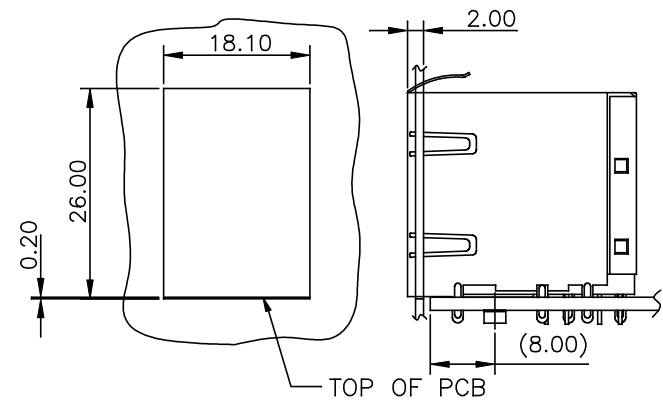
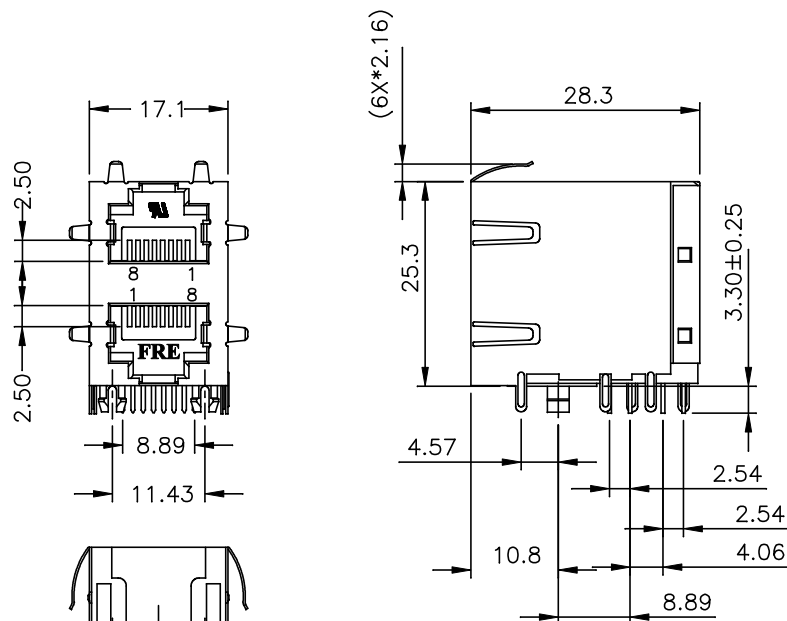
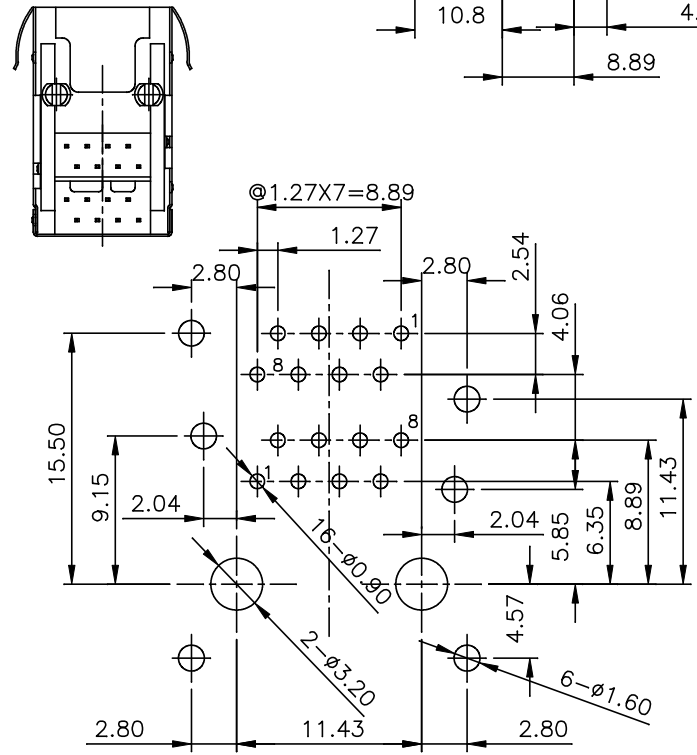


REVISION RECORD		
REV	DESCRIPTION	DRFT
1	ADD HEIGHT DIM OF TABS	VICTOR



TOLERANCE: ±0.10  
RECOMMENDED PANEL CUT OUT



PC BOARD LAYOUT T=1.60mm  
COMPONENT SIDE SHOWN  
TOLERANCES ±0.05mm

**NOTES:**

**ELECTRICAL:**

- VOLTAGE RATING : 125 VAC RMS.
- CURRENT RATING : 1.5 AMP.
- CONTACT RESISTANCE : 60 MILLIOHMS MAX.
- INSULATION RESISTANCE: 1000 MEGOHMS MIN @ 500 VDC.
- DIELECTRIC STRENGTH : 1000 VDC RMS 60Hz, 1MIN.

**MECHANICAL:**

- HOUSING MATERIAL : GLASS FIBER FILLED NYLON, UL94V-0/BLACK.
- INSERT MATERIAL : GLASS FIBER FILLED NYLON, UL94V-0/BLACK.
- CONTACT MATERIAL : PHOSPHOR BRONZE t=0.35mm.
- SHIELD MATERIAL : COPPER ALLOY WITH NICKEL PLATING.
- PLATING : GOLD PLATING OVER NICKEL.
- OPERATING LIFE : 750 CYCLES MIN.
- PCB RETENTION PRE-SOLDER : 1 LB MIN.
- PCB RETENTION POST-SOLDER: 10 LBS MIN.

**ENVIRONMENTAL:**

- STORAGE : -40°C TO +85°C.
- OPERATION: -40°C TO +85°C.
- WAVE SOLDERING TEMPERATURE: 255°C~265°C (5~10 SECONDS).
- RoHS COMPLIANT.

MATES WITH MODULAR PLUG CONFORMING TO  
FCC PART 68, SUBPART F.  
CUL FILE NO. E163191.

E5908-4V0S54-L	30u"
PART NO.	Au PLATING

DETACHED LISTS	MM (INCH)		<b>RoHS Compliant</b>		<b>Pulse Electronics</b>	
	TOLERANCES EXCEPT AS NOTED					
	MM			TITLE		
	.0 ± 0.25	±		STAMPED PIN III W/SHIELD JACK, 2X1		
.00 ± 0.20	±		ANGLES ± 1°	DFTO : ELLA	DRAWING NO. CE5908-4V0S5X-L	SIZE A3
.000 ± 0.10	±		THIRD ANGLE PROJECTION	DATE : 11/07/2012	/PART NO. E5908-4V0S54-L	REV 1
			SCALE : 1.5:1	DO NOT SCALE DRAWING		SHEET 1 OF 1