

A

B

C

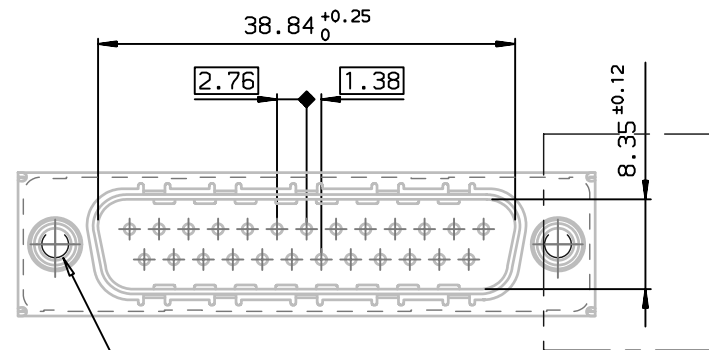
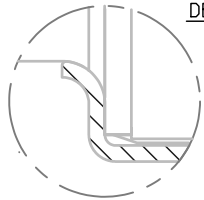
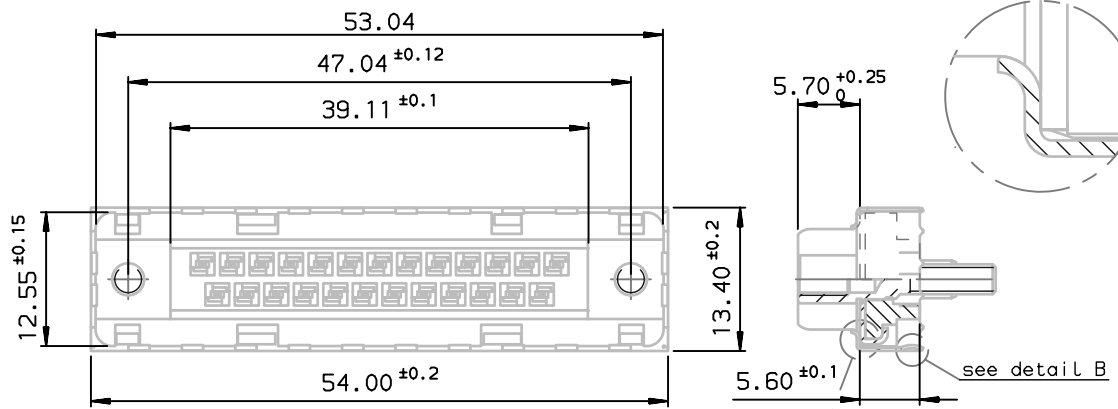
D

A

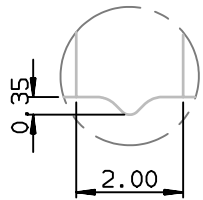
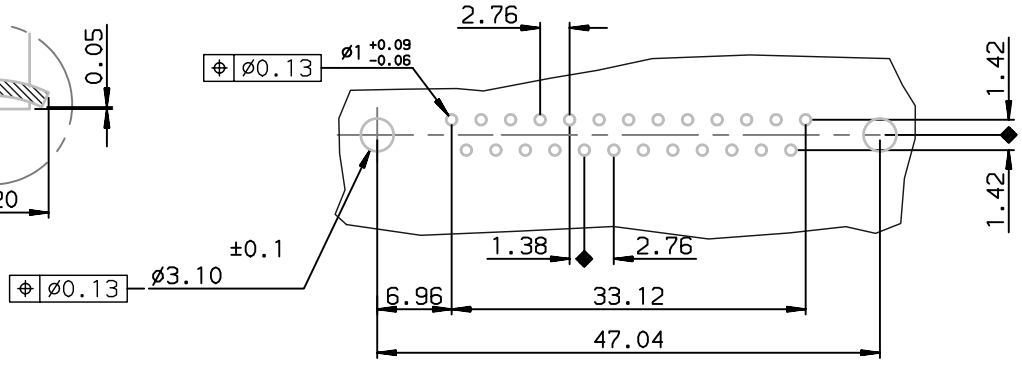
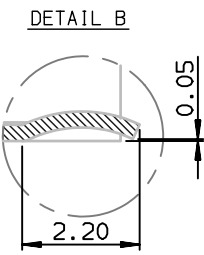
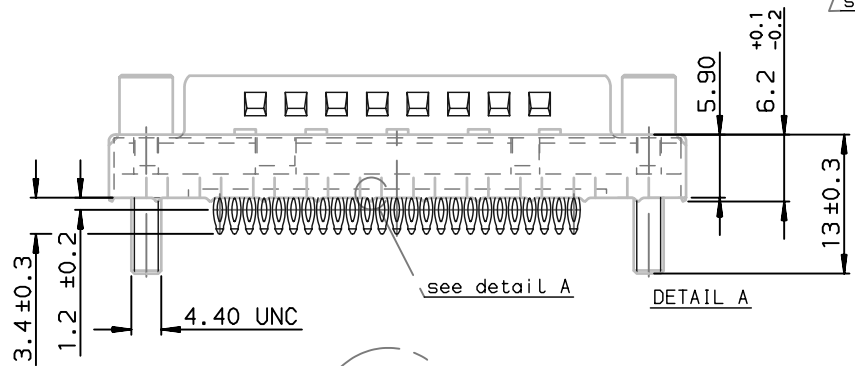
B

C

D



PC card drilling dimensions(after plating)
(thickness ≤3.20±0.30mm)



TIN LEAD PART NUMBER

PART NUMBER	D25P91C*PV6C
-------------	--------------

Plating: 5 --> 0.4µ AU
Plating: 6 --> 0.76µ AU
Plating: 8 --> 1.25µ AU

LEAD FREE PART NUMBER

PART NUMBER	D25P91C*PV6CLF
-------------	----------------

Plating: 5 --> 0.4µ AU
Plating: 6 --> 0.76µ AU
Plating: 8 --> 1.25µ AU

THIS REFERENCE INCLUDES; 1 NUT+ 1 WASHER (packaging by unit of 100)

GENERAL CHARACTERISTICS AND ROHS INFORMATIONS:
SEE DRAWING C01-8646-0001

European Views

www.fciconnect.com		surface ISO 1302 ✓	tolerance std ISO 406 ISO 1101	projection mm	size A3	Scale 2
TOLERANCES UNLESS OTHERWISE SPECIFIED						
Dr	LENOIR	1997/04/17	0.X	±0.1	ECN	LS07-0001
Eng	PESSON	1997/04/17	0.XX	±0.1	Spec ref	-
Chr	LEGARE	1997/04/17	0.XX' ±2'	0.XXX	Product family	D-SUB
Appr	LEGARE	1997/04/17	Product family D-SUB Spec ref -			

rev	ecn no	dr	date
B	-	LEN	2001/11/19
C	LS05-004	MPE	2005/02/14
E	LS07-0001	MPE	2007-0001
-	-	-	-
-	-	-	-

FCI title	MALE SUB DELTA D + SHEILDING		dwg no C01-8646-0539	Rev. E
	CIF straight spills +screwLock			
catalog no	-		CUSTOMER	sheet 1 of 1



Copyright FCI.