

Technical specification:

Rated voltage: IEC 61076-2-101	4pos 160 V
Current rating: IEC 61076-2-101	4 A at 40°C
Insulation resistance: IEC 60512	>=100 MΩ
Pollution degree: IEC 60664-1	3/2
Degree of protection: IEC 60529	IP 67, in mated condition
Temperature range: IEC 60664-1	-30°C ... +80°C
Mating cycles: IEC 60512-9a	>=100

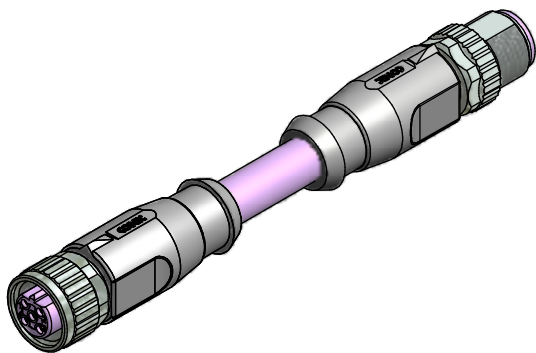
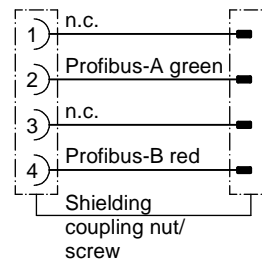
Materials:

Contact:	CuZn, CuBe
Contact plating:	Nickel, gold plated
Contact carrier:	PBT GF, UL 94
Sealing:	FPM
Coupling nut/ screw:	GD-Zn, nickel plated
Moulding body:	TPU, UL 94, grey

Installation specification:

Recommended torque:	0,6 Nm
Conec installation tool:	Torque wrench: 36-000200 Insert across flats 13: 36-000220

Contact assignment:



Part no:	Description:	Length L:	Cable:
43-11617	SAL - 12B - RK4.1 - RS4.1 - 0,3 / G5	0,3m	PVC, UL, violet, 2xAWG22 Cable: 781-G53200
43-11618	SAL - 12B - RK4.1 - RS4.1 - 0,6 / G5	0,6m	
43-11619	SAL - 12B - RK4.1 - RS4.1 - 1,5 / G5	1,5m	
43-11620	SAL - 12B - RK4.1 - RS4.1 - 3 / G5	3m	
43-xxxxx	SAL - 12B - RK4.1 - RS4.1 - ... / G5	x	

D see data sheet cable

DO NOT ALTER CAD DRAWING BY HAND Directive 2002/95/EC RoHS compliant	Index: a 01.03.11 VF Ä3767 Coupling nut/screw modified, spanner flats added, data sheet modified	dim. in mm <table border="1"> <tr> <td>date</td> <td>name</td> </tr> <tr> <td>drawn 29.06.06</td> <td>Fromm</td> </tr> <tr> <td>appd. 27.02.08</td> <td>W. Schmidt</td> </tr> </table>	date	name	drawn 29.06.06	Fromm	appd. 27.02.08	W. Schmidt	title: Connecting cable M12x1, Profibus DP, female connector axial - male connector axial
	date		name						
	drawn 29.06.06	Fromm							
	appd. 27.02.08	W. Schmidt							
tolerance of cable: L ≤ 4m: L + 40mm L > 4m: L + 1%	dwg no:								
THIS DRAWING MAY NOT BE COPIED OR REPRODUCED IN ANY WAY, AND MAY NOT BE PASSED ON TO A THIRD PARTY WITHOUT WRITTEN PERMISSION. OWNERSHIP AND COPYRIGHT OF CONEC GmbH		part no:	43K1A615						
			see table						