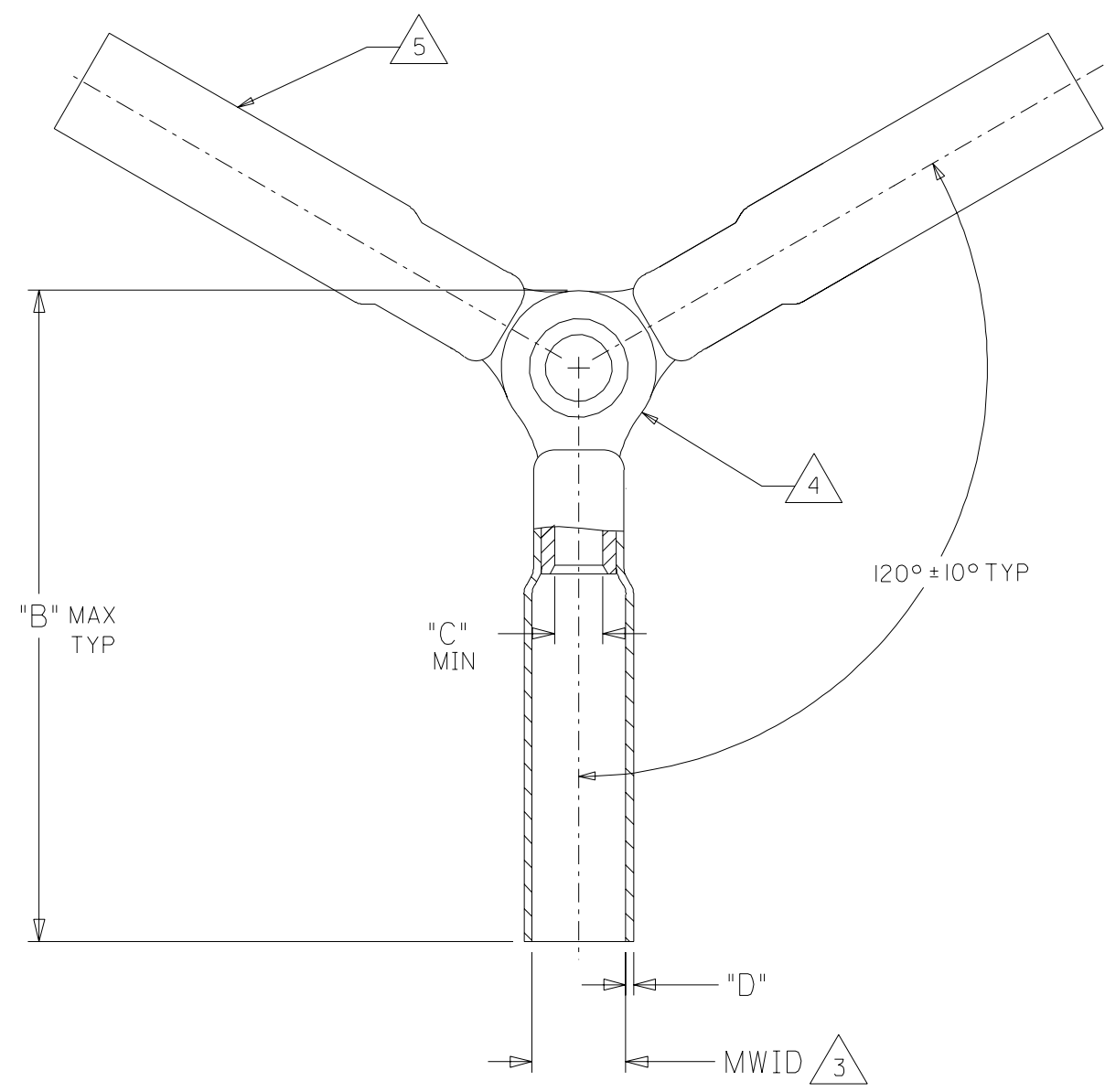


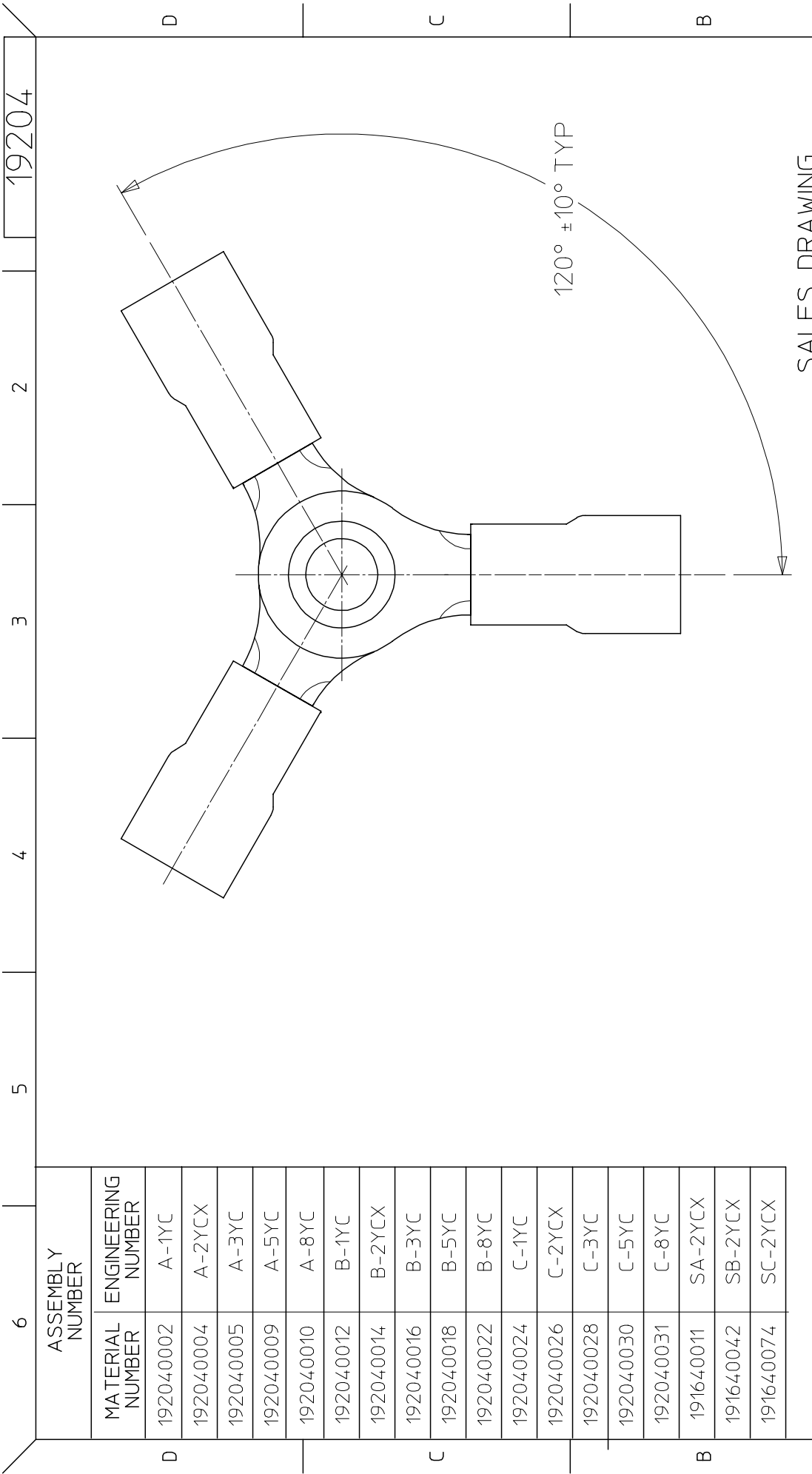
MATERIAL NUMBER	ENGINEERING NUMBER	WIRE SIZE AWG	WIRE SIZE MM SQ.	PERMA-SEAL COLOR	MWID	B MAX	C MIN	D
191640011	SA-2YCX	22-18	.25-1.5	RED	.215/5.46	1.25/31.8	.62/1.57	.025/0.64
191640042	SB-2YCX	16-14	1.0-2.5	BLUE	.235/5.97	1.24/31.5	1.24/31.5	.029/0.74
191640074	SC-2YCX	12-10	4.0-6.0	YELLOW	.310/7.62	1.34/34.0	.128/3.25	.029/0.74



- NOTES:
1. CONNECTION BETWEEN TERMINALS TO BE TIGHT.
 2. RIVET NOT TO BE SPLIT.
 3. MWID = MAXIMUM WIRE INSULATION DIAMETER.
 4. TERMINAL MATERIAL: COPPER ALLOY.
 5. INSULATION MATERIAL: HEAT SHRINKABLE TUBING WITH HOTMELT ADHESIVE INNER LINER. COLOR SEE CHART.

SALES DRAWING

NEW RELEASE EC NO. ETC2003-0136 DRWN: BRE 03/03/20 CHK: HEB 03/03/20 APPR: RWD 03/03/20	QUALITY SYMBOLS	GENERAL TOLERANCES: (UNLESS SPECIFIED)		SCALE NO: NE	DESIGN UNITS	THIRD ANGLE PROJECTION	DIMENSIONS:	SHT	REV
	MAJOR = 0	mm	INCH	mm	INCH	mm ONLY	mm INCH		REVISE ON CAD ONLY
	CRITICAL = 0	4 PLACES ±0.	±.	DRAWN BY & DATE	TITLE: 3-WAY NIAC CONNECTOR ASSEMBLY				
		3 PLACES ±0.	±.	CHECKED BY & DATE	MOLEX INCORPORATED				
	2 PLACES ±0.	±.	APPROVED BY & DATE	MATERIAL NO. DRAWING NO. SHEET NO.					
	1 PLACE ±0.	±.	RWD 15/11/15	SEE CHART SD-19164-051 1 OF 1					
	ANGULAR: ± °		CAD FILENAME	THIS DRAWING CONTAINS INFORMATION THAT IS PROPRIETARY TO MOLEX INCORPORATED AND SHOULD NOT BE USED WITHOUT WRITTEN PERMISSION.					
	DRAFT WHERE APPLICABLE MUST REMAIN WITHIN DIMENSIONS		E-19164-051 .DGN	SIZE B					



SALES DRAWING

19204

2

3

4

5

6

ASSEMBLY NUMBER	
MATERIAL NUMBER	ENGINEERING NUMBER
192040002	A-1YC
192040004	A-2YCX
192040005	A-3YC
192040009	A-5YC
192040010	A-8YC
192040012	B-1YC
192040014	B-2YCX
192040016	B-3YC
192040018	B-5YC
192040022	B-8YC
192040024	C-1YC
192040026	C-2YCX
192040028	C-3YC
192040030	C-5YC
192040031	C-8YC
191640011	SA-2YCX
191640042	SB-2YCX
191640074	SC-2YCX

WAS 65252-01C/-02C EC NO: ETIC2003-0305 DRWN:DMYRCK 2003/05/16 CHKD:RWD 2003/05/16 APPR:RDEROSS 2003/05/16	QUALITY SYMBOLS ▲ - 0 △ - 0	GENERAL TOLERANCES (UNLESS SPECIFIED) mm INCH 4 PLACES ± .005 3 PLACES ± .01 2 PLACES ± 0.13 1 PLACE ± 0.25 ANGULAR ± 1/2°	SCALE NTS DESIGN UNITS INCH DIMENSION STYLE IN/MM DRAWN BY RWD DATE 03/05/14 CHECKED BY RWD DATE 03/05/14 APPROVED BY RWD DATE 03/05/14	THIRD ANGLE PROJECTION TITLE 3-WAY CONNECTOR ASSEMBLY	REVISE ON CAD ONLY
DESCRIPTION	REV	MATERIAL NO. DOCUMENT NO. SHEET NO. MOLEX INCORPORATED (SEE CHART) SD-19204-001 1 OF 1			
MUST REMAIN WITHIN DIMENSIONS		THIS DRAWING CONTAINS INFORMATION THAT IS PROPRIETARY TO MOLEX INCORPORATED AND SHOULD NOT BE USED WITHOUT WRITTEN PERMISSION			