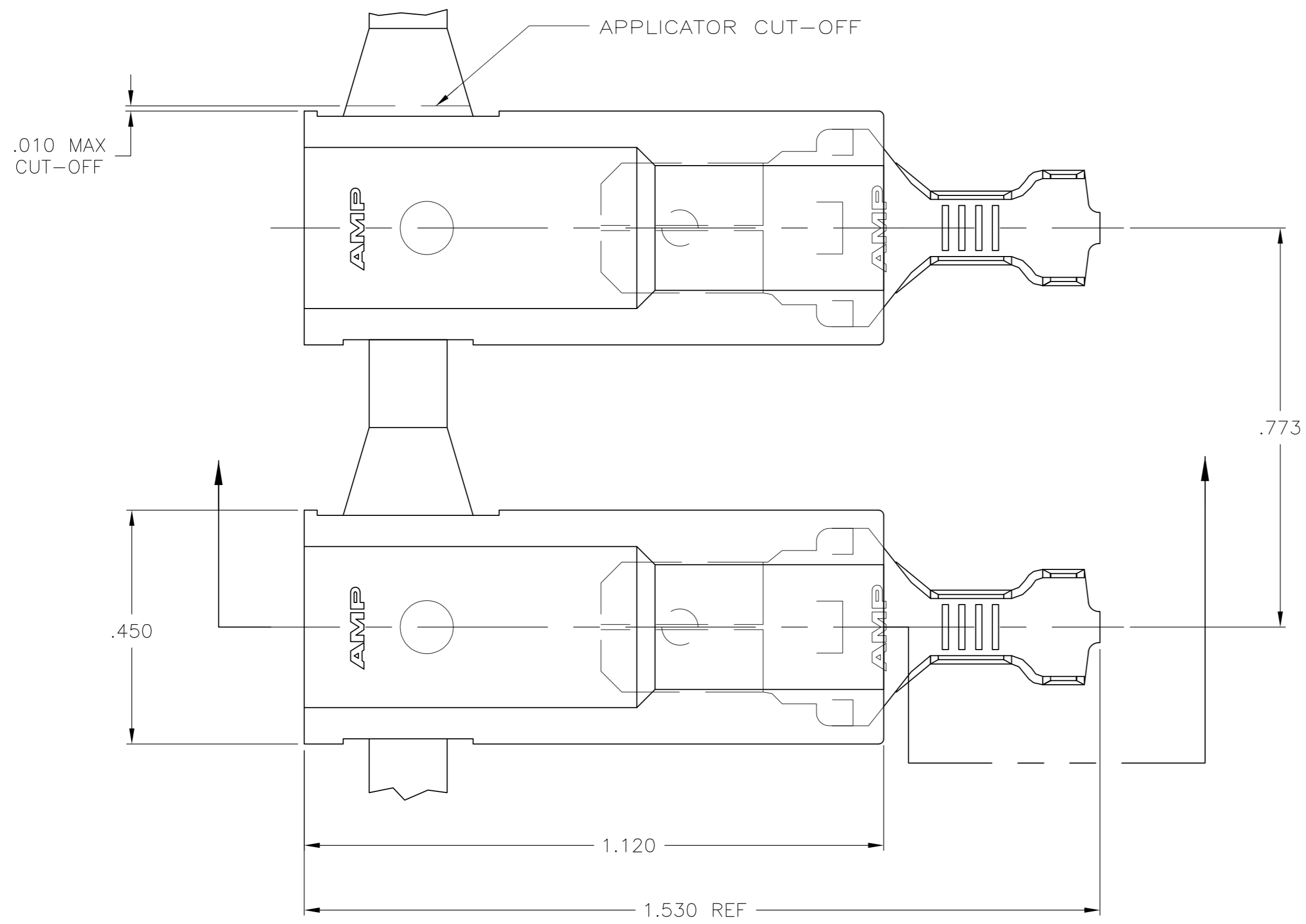
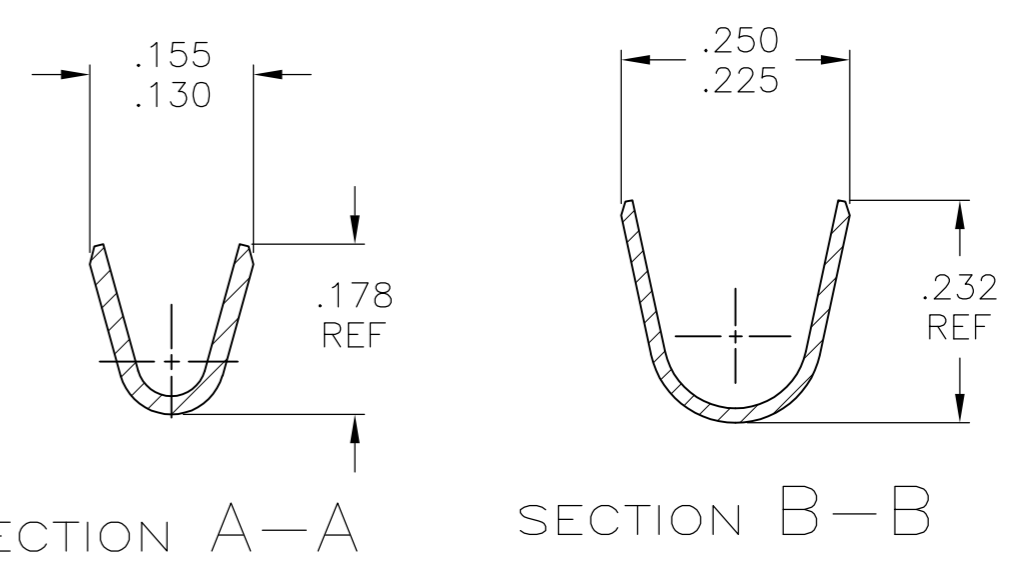
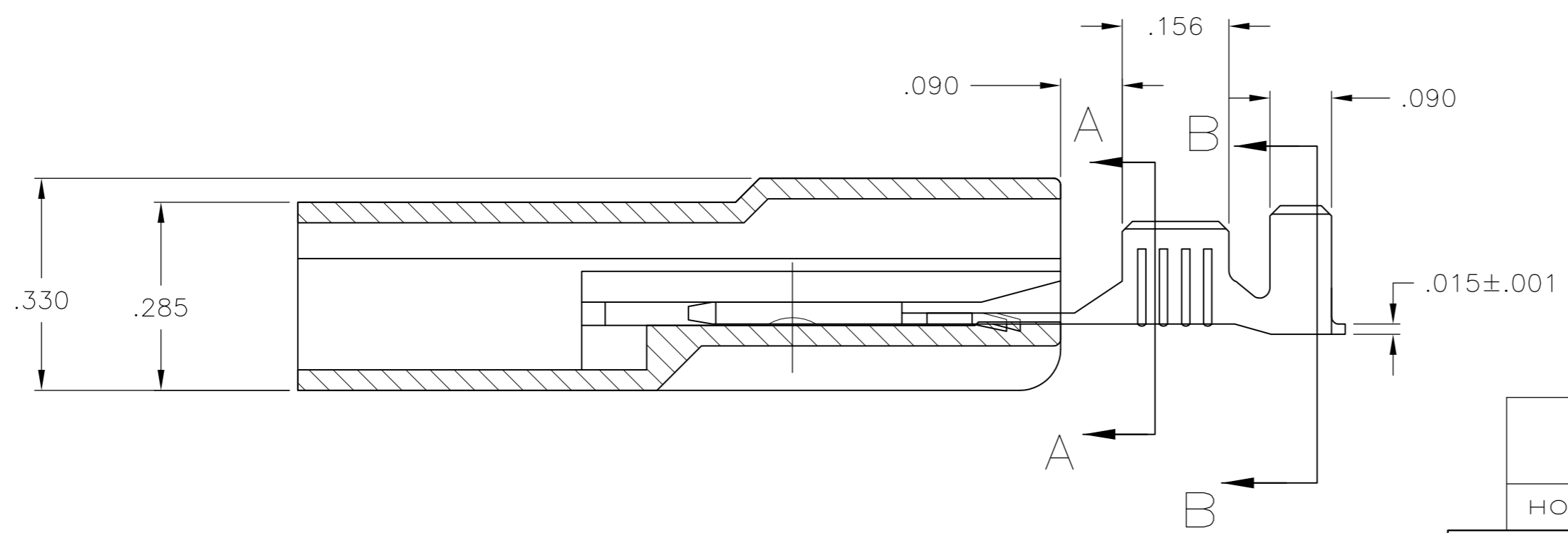


THIS DRAWING IS UNPUBLISHED. RELEASED FOR PUBLICATION
 © COPYRIGHT - By - ALL RIGHTS RESERVED.

LOC	DIST	REVISIONS			
P	LTR	DESCRIPTION	DATE	DWN	APVD
AF	50	B2	REL PER ECO 12-013167	18JUL12	JR PD



- 1 FASTON TAB BASE #1742150, ARE USED IN THIS PRODUCT.
- 2 WIRE SIZE IS #18-#14 AWG.
- 3 INSULATION RANGE IS .130-.180 DIA
- 4 MATES WITH A .250 X .032 RECEPTACLE



6/6 NYLON, NATURAL	082 BRASS , TIN PLATE	521747-2
	082 BRASS , PLAIN	521747-1
HOUSING: MATERIAL	TERMINAL: MATERIAL & FINISH	PART NO.

THIS DRAWING IS A CONTROLLED DOCUMENT.		DWN JR RUTH 07JUL04	TE TE Connectivity	
DIMENSIONS: INCHES		CHK FRISTY YI 07JUL04		
TOLERANCES UNLESS OTHERWISE SPECIFIED:		APVD KRISTY YI 07JUL04	NAME ASSEMBLY, TAB, ULTRA-POD, .250 SERIES	
0 PLC ± -	1 PLC ± -	PRODUCT SPEC 108-1285	SIZE A2	CAGE CODE 00779
2 PLC ± .010	3 PLC ± -	APPLICATION SPEC 114-2124	DRAWING NO C=521747	RESTRICTED TO -
4 PLC ± -	ANGLES ± -	WEIGHT -	SCALE 5:1	SHEET 1 of 1
MATERIAL SEE TABLE	FINISH SEE TABLE	CUSTOMER DRAWING	REV B2	