

DETAILS

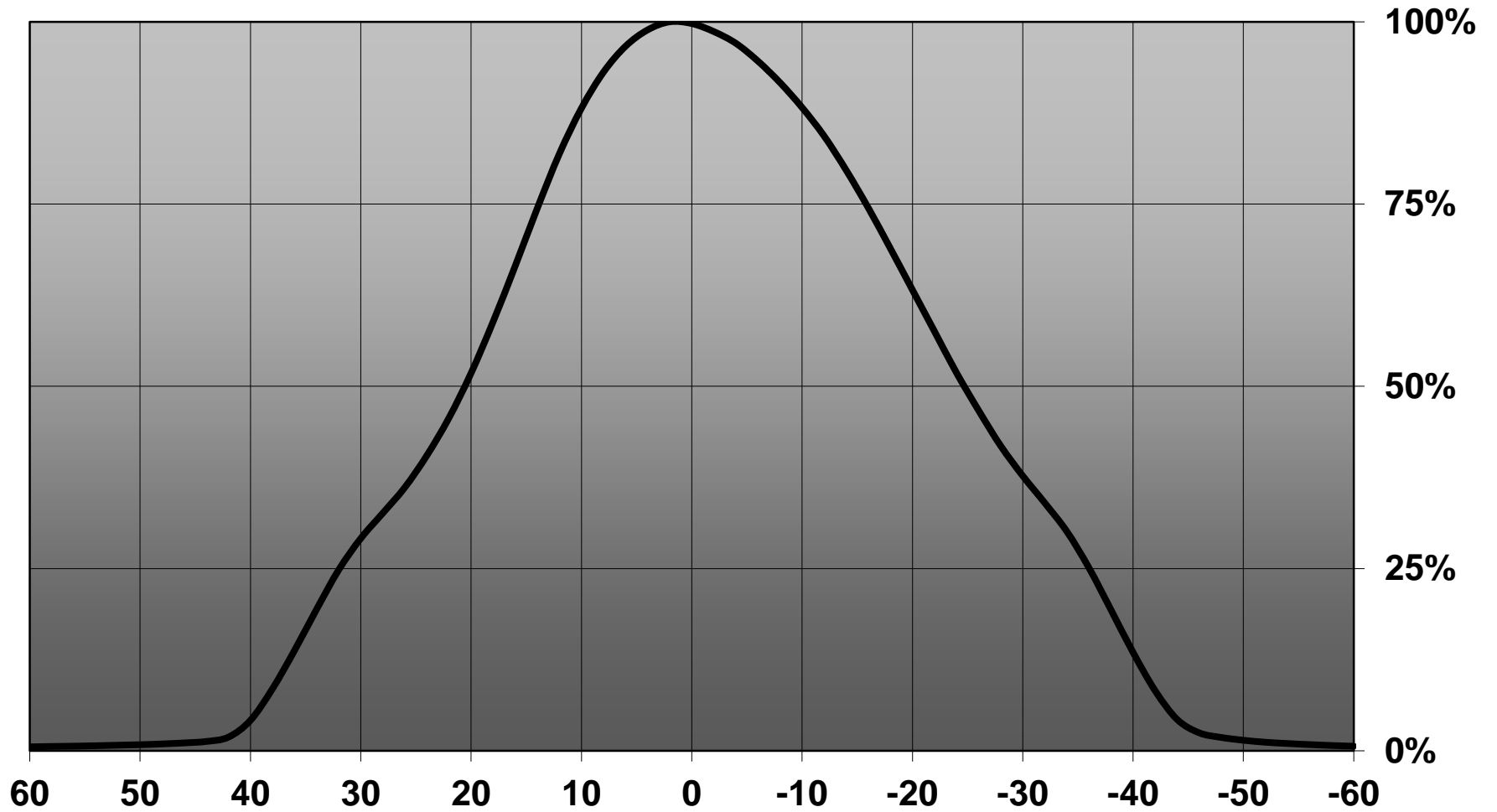
Product Number	CN13772_MIRELLA-50-W-CL-PF
Family	Mirella
Type	RefPack
Color	metal
Diameter	49,9 mm
Height	25,7 mm
Style	round
Optic Material	PC
Holder Material	
Fastening	
Status	production ready
ROHS Compliant	Yes
Date Updated	2/11/2016



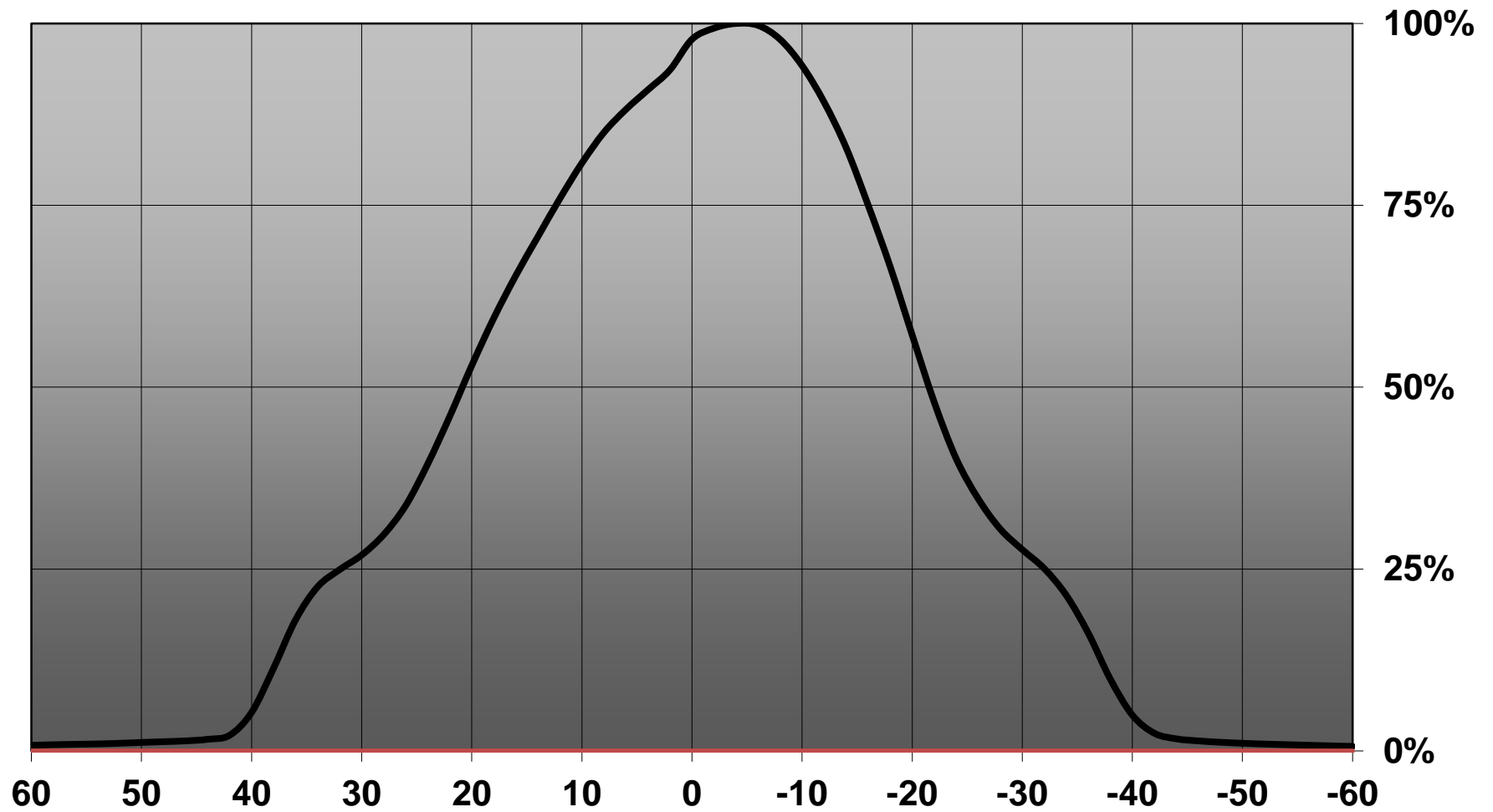
OPTICAL PROPERTIES

LED	Viewing	Light	Effi-		Connector
	Angle	Beam	ciency	cd/lm	
V6 Gen6	44 deg	Wide	81 %	1.300	-
V8 Gen6	42 deg	Wide	82 %	1.380	-
CXA/B 15xx	46 deg	Wide	85 %	1.400	-
CXA/B 13xx	42 deg	Wide	81 %	1.500	-
LUXEON CoB 1202s	41 deg	Wide	82 %	1.500	LEDiL: LEDiL
LUXEON CoB Compact	sim: 41	Wide	sim: 82 %	sim: 1.500	LEDiL: LEDiL
Soleriq P6	41 deg	Wide	82 %	1.550	-
Soleriq P9	46 deg	Wide	82 %	1.330	-
STARK SLE PURE G3 LES10	45 deg	Wide	81 %	1.400	-

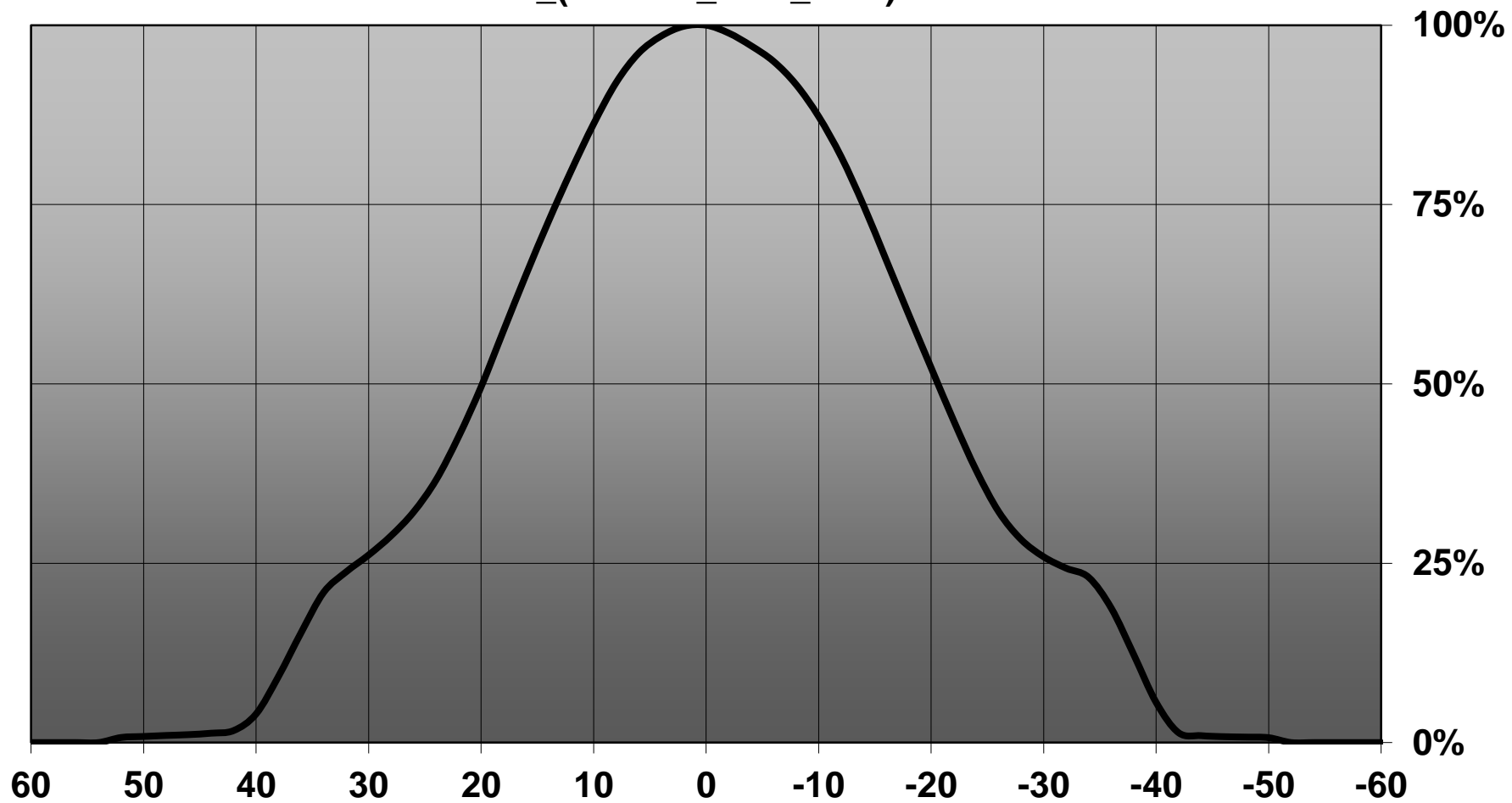
Relative intensity of CN13772_MIRELLA-50-W-CL-PF (CXA15)



Relative intensity of CN13772_MIRELLA-50-W-CL-PF_(CXA1304)

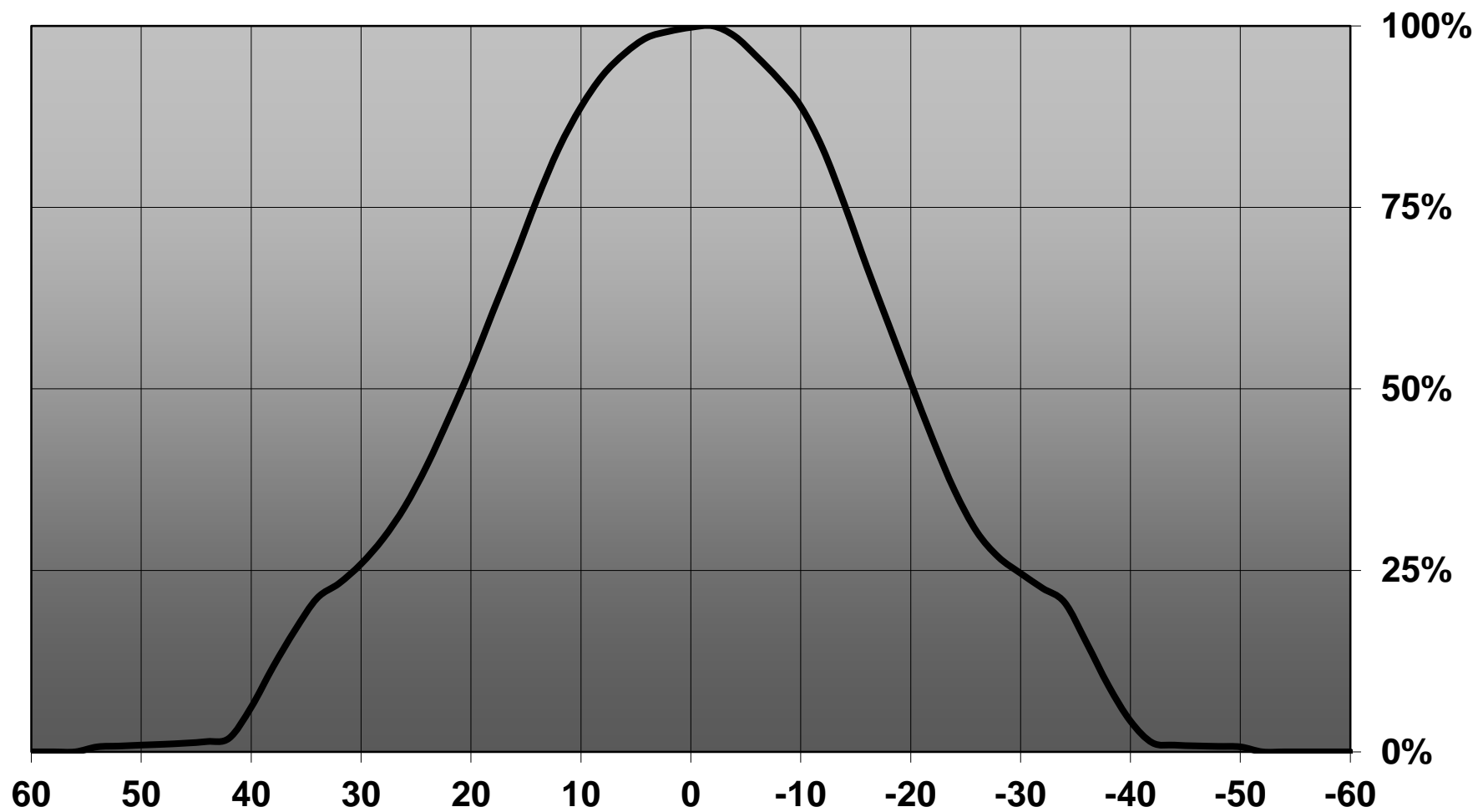


Relative intensity of CN13772_MIRELLA-50-W-CL-
PF_(Luxeon_CoB_mini)

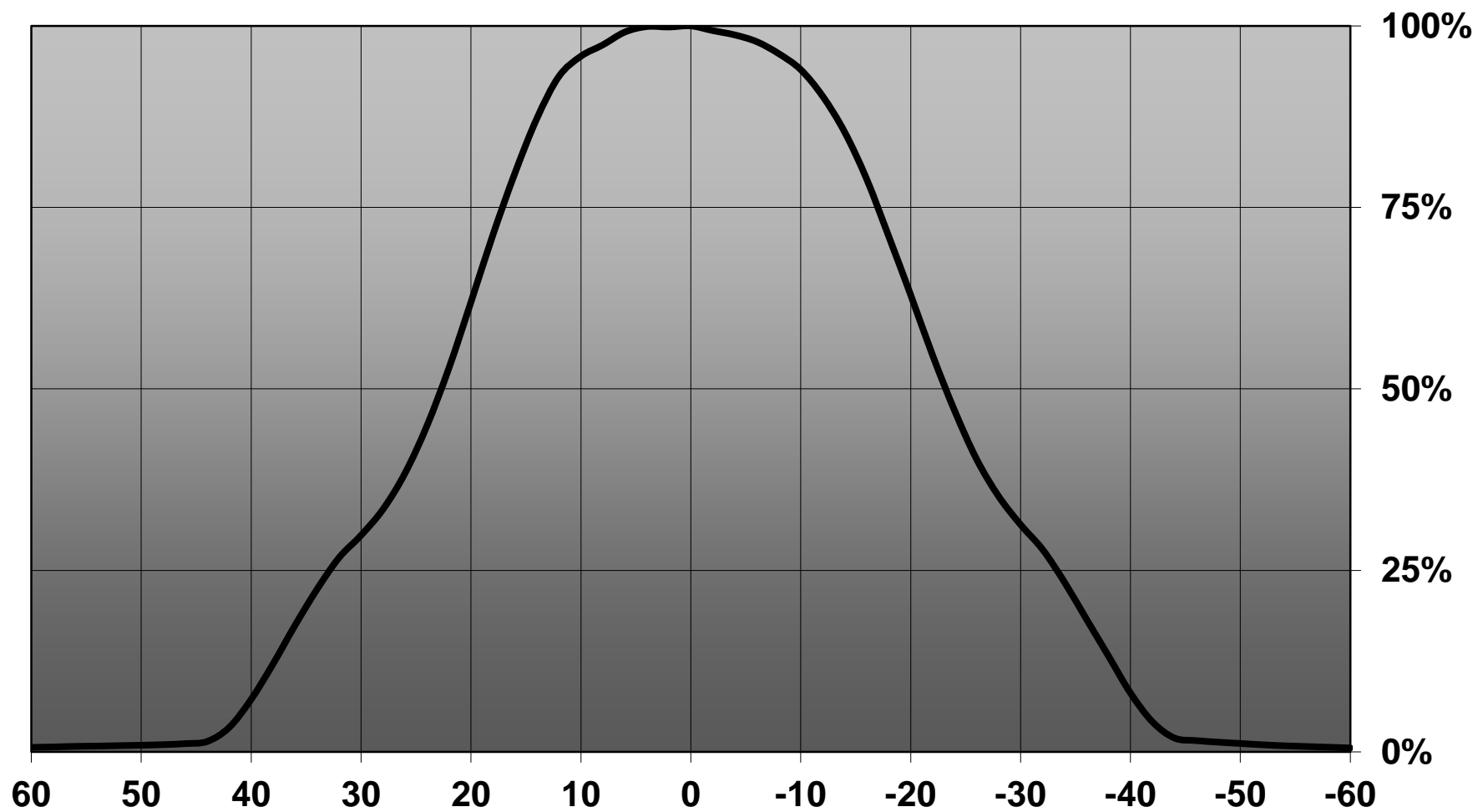


— 1: 0-180

Relative intensity of CN13772_MIRELLA-50-W-CL-PF_(Soleriq P6)



Relative intensity of CN13772_MIRELLA-50-W-CL-PF_(Soleriq P9)



D

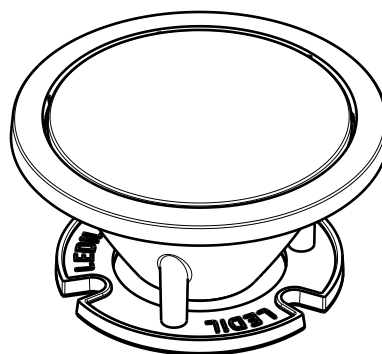
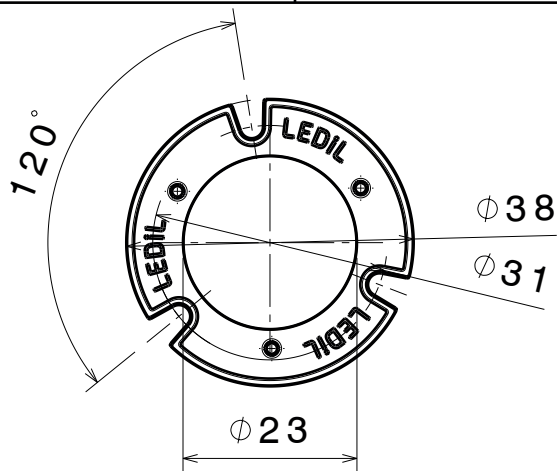
C

B

A

NOTE: It is recommended to use glue like DELO-PUR 9895 for pin fastening.
[http://www.delo.de/fileadmin/datasheet/DELO-PUR_9895_\(TIDB-GB\).pdf](http://www.delo.de/fileadmin/datasheet/DELO-PUR_9895_(TIDB-GB).pdf)

4

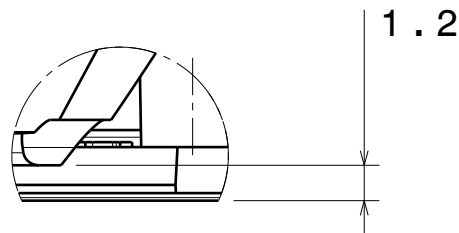
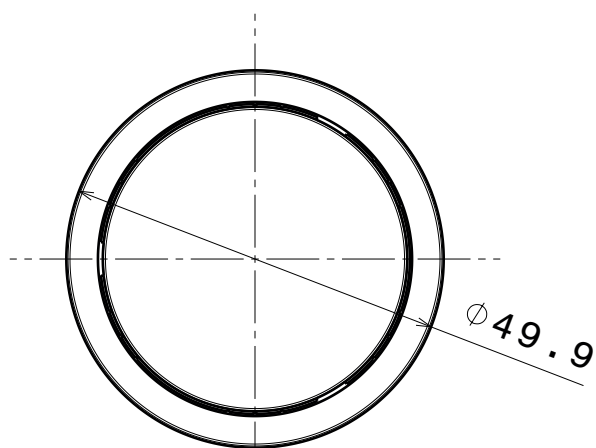


4

Front view

Isometric view

3

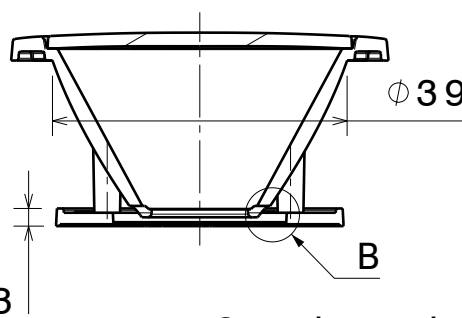
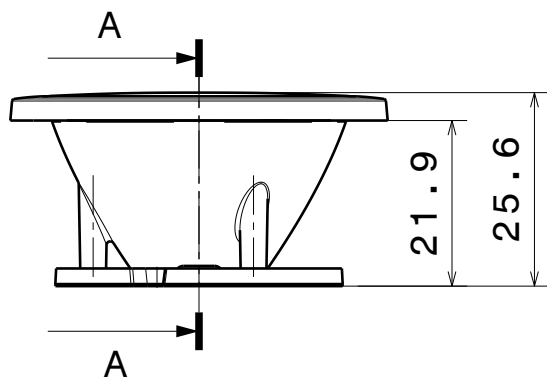


3

Top view

Detail B

2



2

Front view

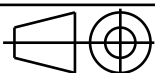
Section view A-A

Tolerances if not otherwise shown
 According to DIN ISO 2768-1
 Linear measures:
 Up to 30mm class M, otherwise class C.
 According to DIN ISO 2768-2
 Form and position: class L

LEDiL

Ledil Oy
 Salorankatu 10
 FIN 24240 SALO
 Finland

THIRD ANGLE PROJECTION:



DRAWING TITLE

MIRELLA-PF CXA15 Datasheet

This drawing is the property
 of LEDiL Oy. It may not be
 reproduced, copied or
 communicated without a written
 agreement with LEDiL Oy.

SIZE PART NUMBER

A4

-

SCALE 1:1 WEIGHT

-

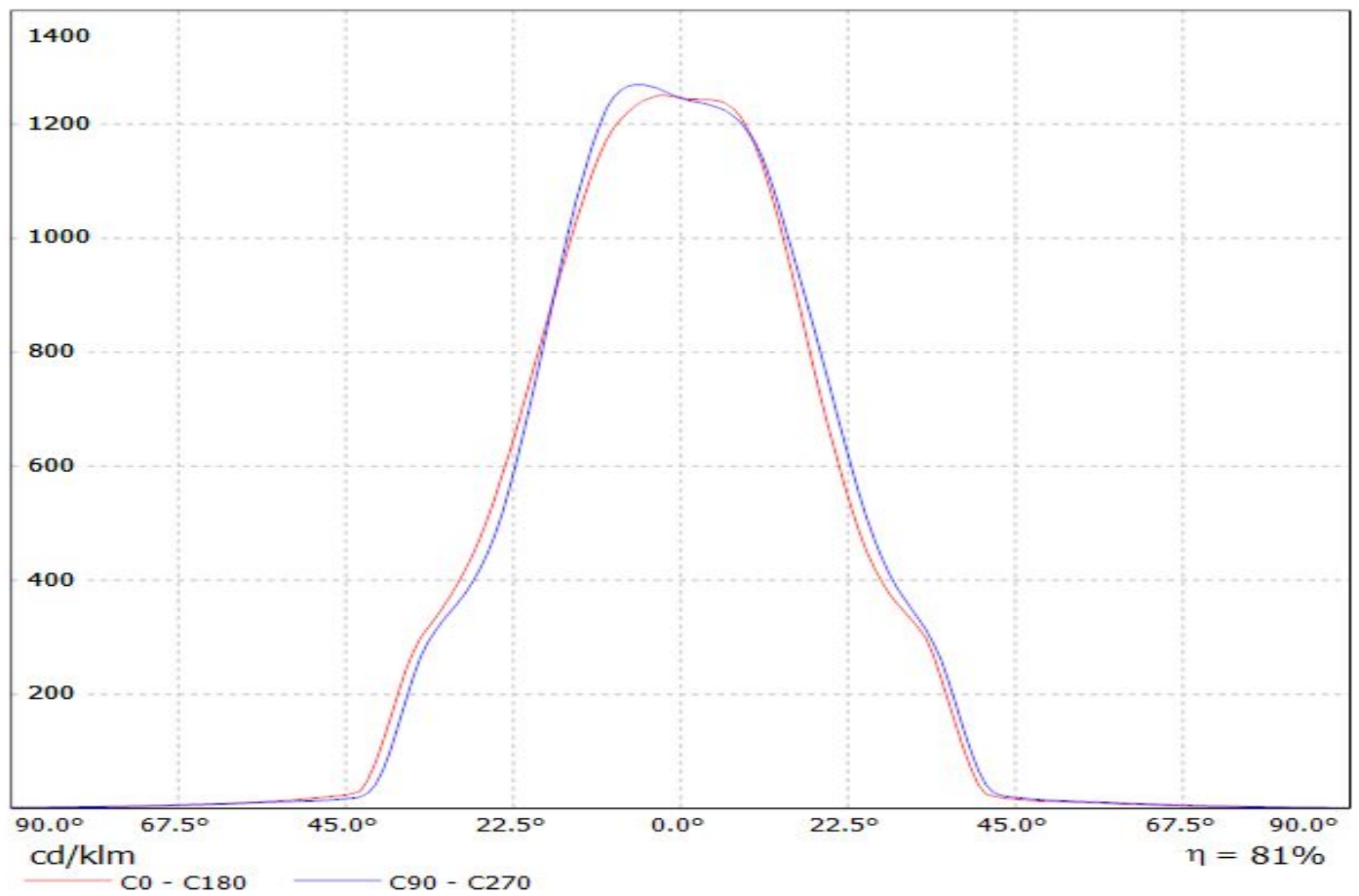
SHEET 1/1

D

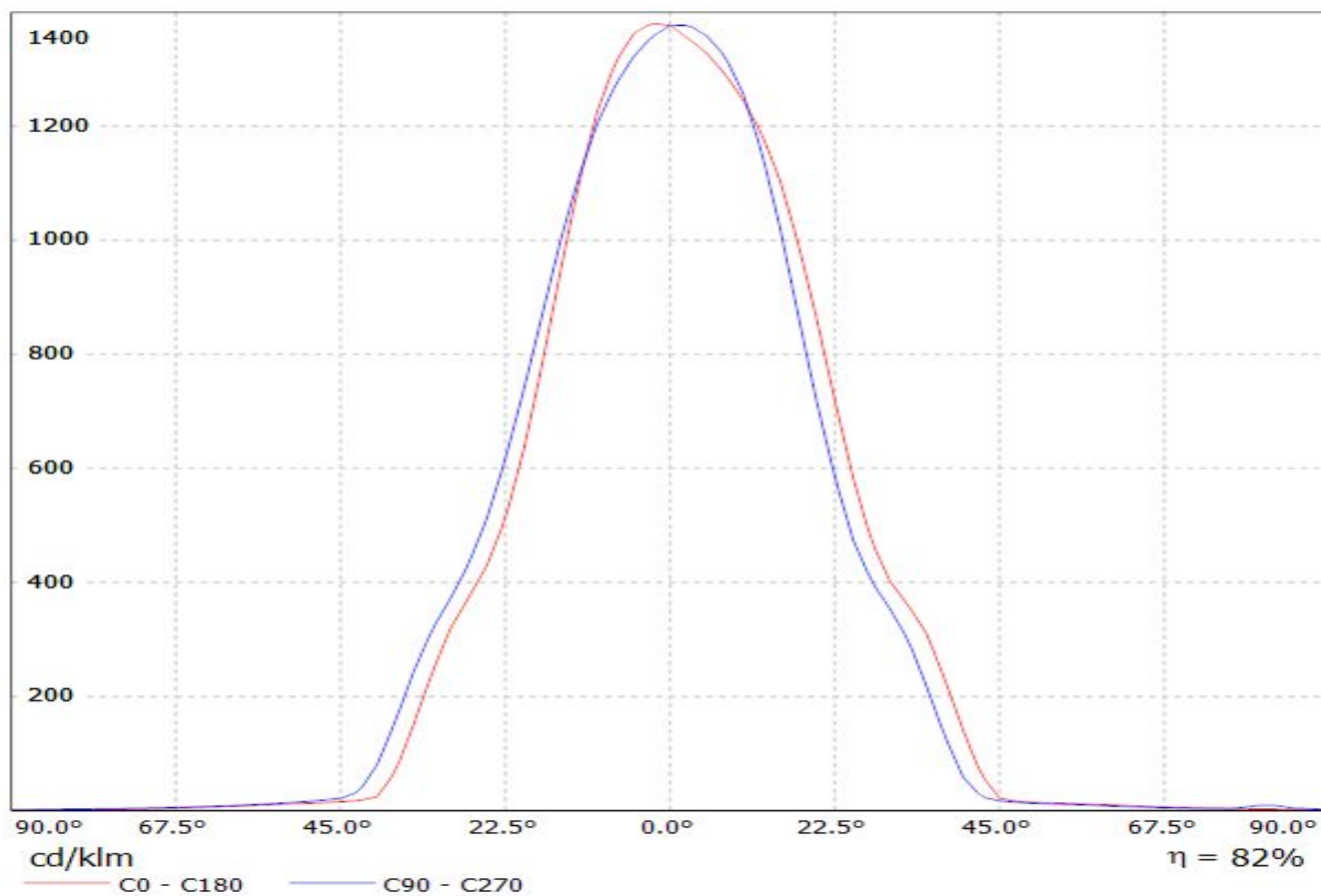
A

1

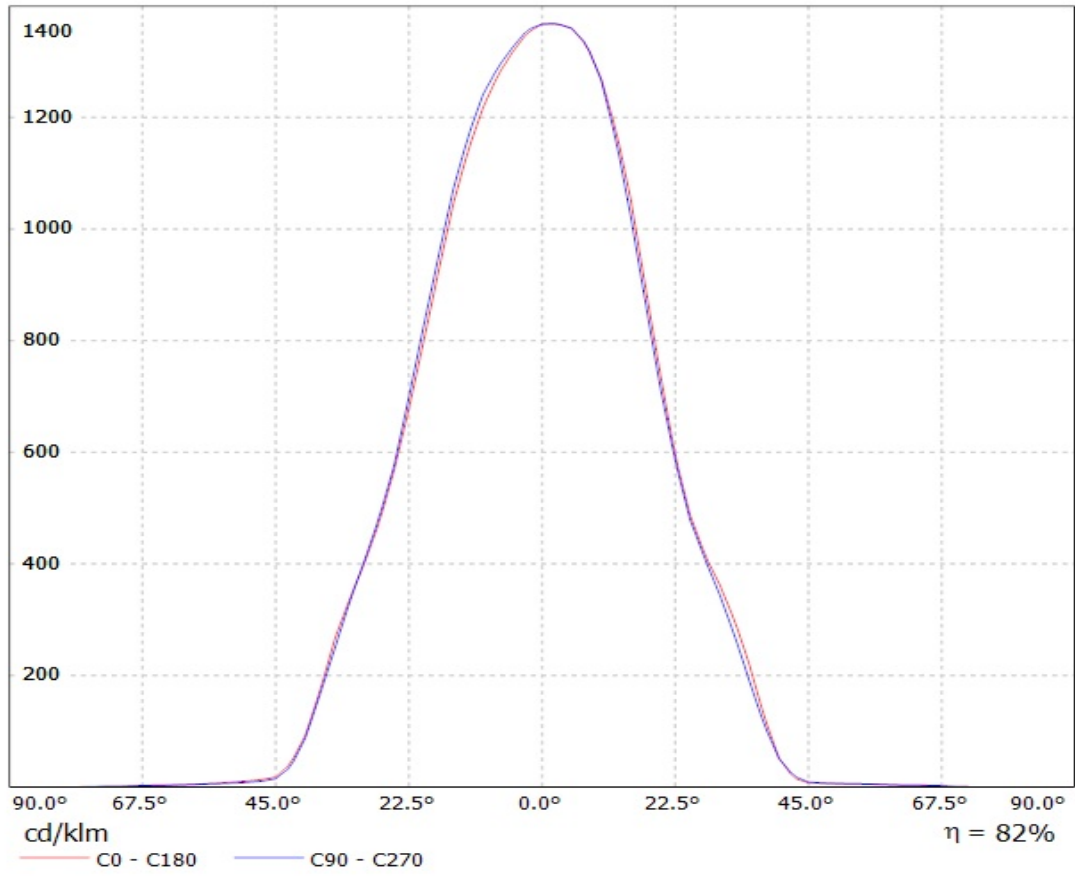
Luminaire: LEDiL Oy CN13772_MIRELLA-50-W-CL-PF_(V6) Eff.81.2%
Lamps: 1 x BRIDGELUX_V6_488.215lm@250mA_P=5.22041W_I=249.9mA



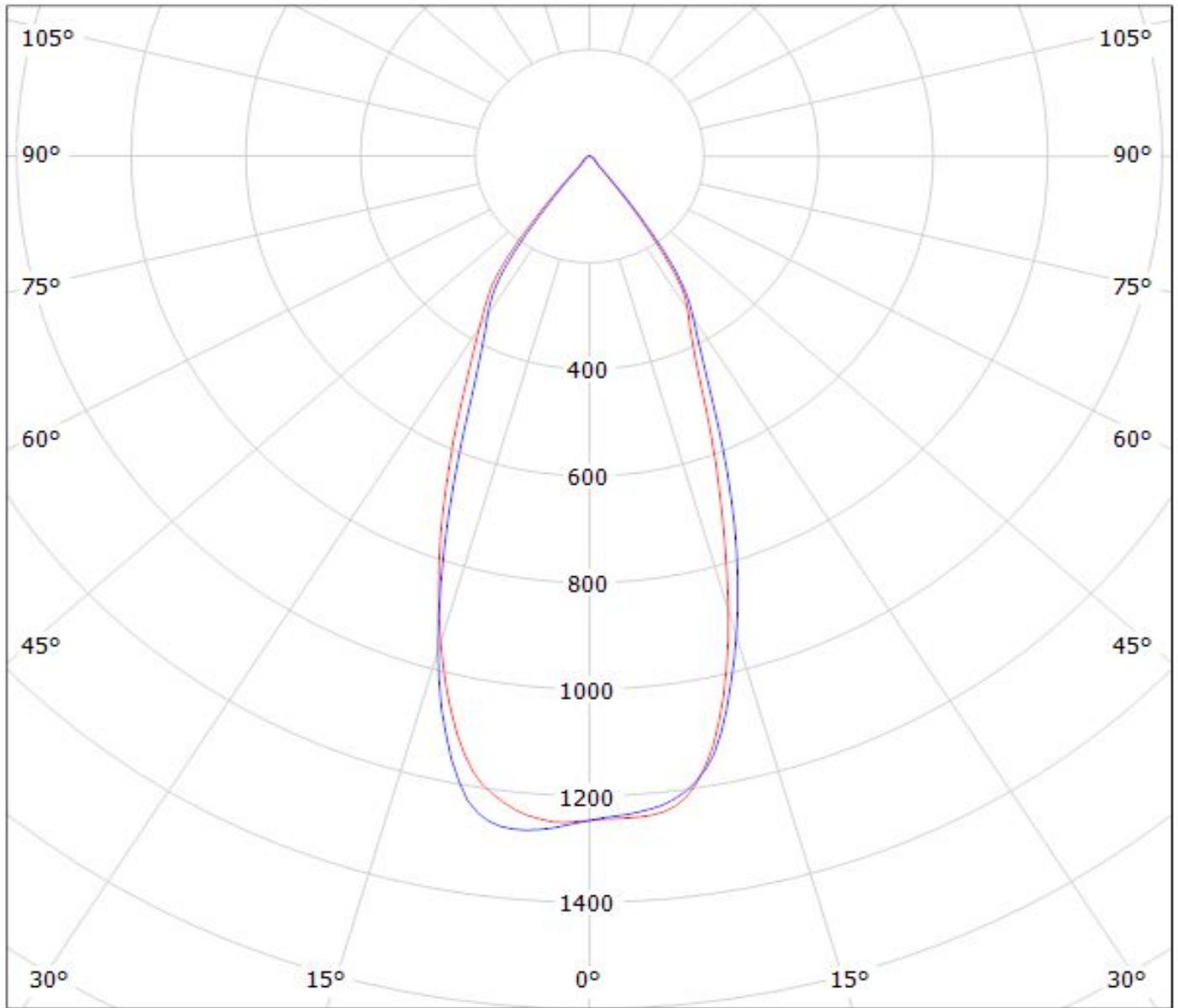
Luminaire: LEDiL Oy CN13772_MIRELLA-50-W-CL-PF_(V8) Eff.81.8%
Lamps: 1 x BRIDGELUX_V8_847.064lm@250mA_P=8.83692W_I=249.8mA



Luminaire: LEDil Oy CN13772_MIRELLA-50-W-CL-PF_(Stark_SLE_G3_LES10) Efficiency=81%
Lamps: 1 x Tridonic Stark SLE G3 LES10 (STARK-SLE-PURE-G3-10-1000-830-CLA) 453lm @ 250mA CCT=3000K P=4.3W I=250mA



Luminaire: LEDiL Oy CN13772_MIRELLA-50-W-CL-PF_(V6) Eff.81.2%
Lamps: 1 x BRIDGELUX_V6_488.215lm@250mA_P=5.22041W_I=249.9mA



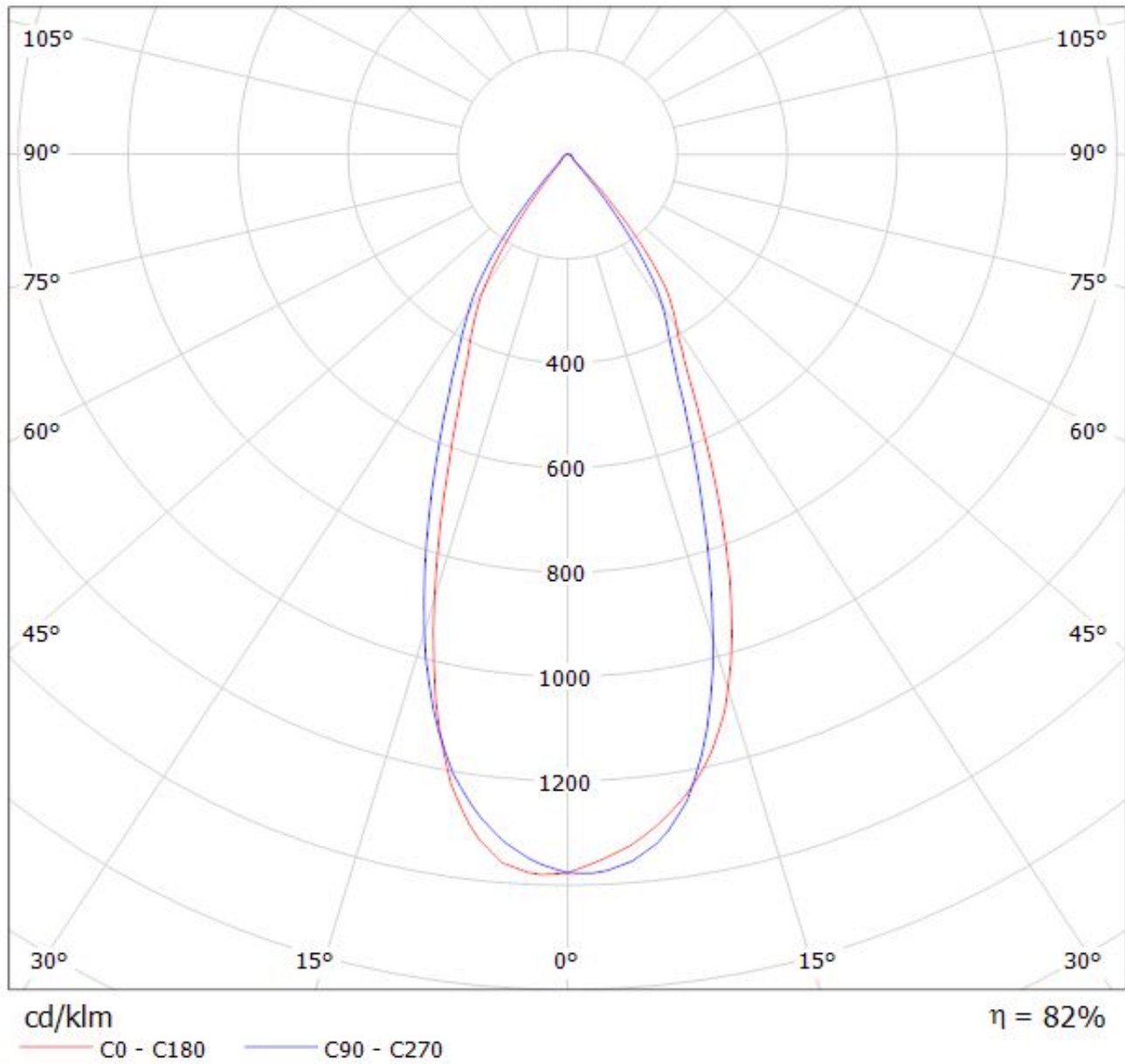
cd/klm

$\eta = 81\%$

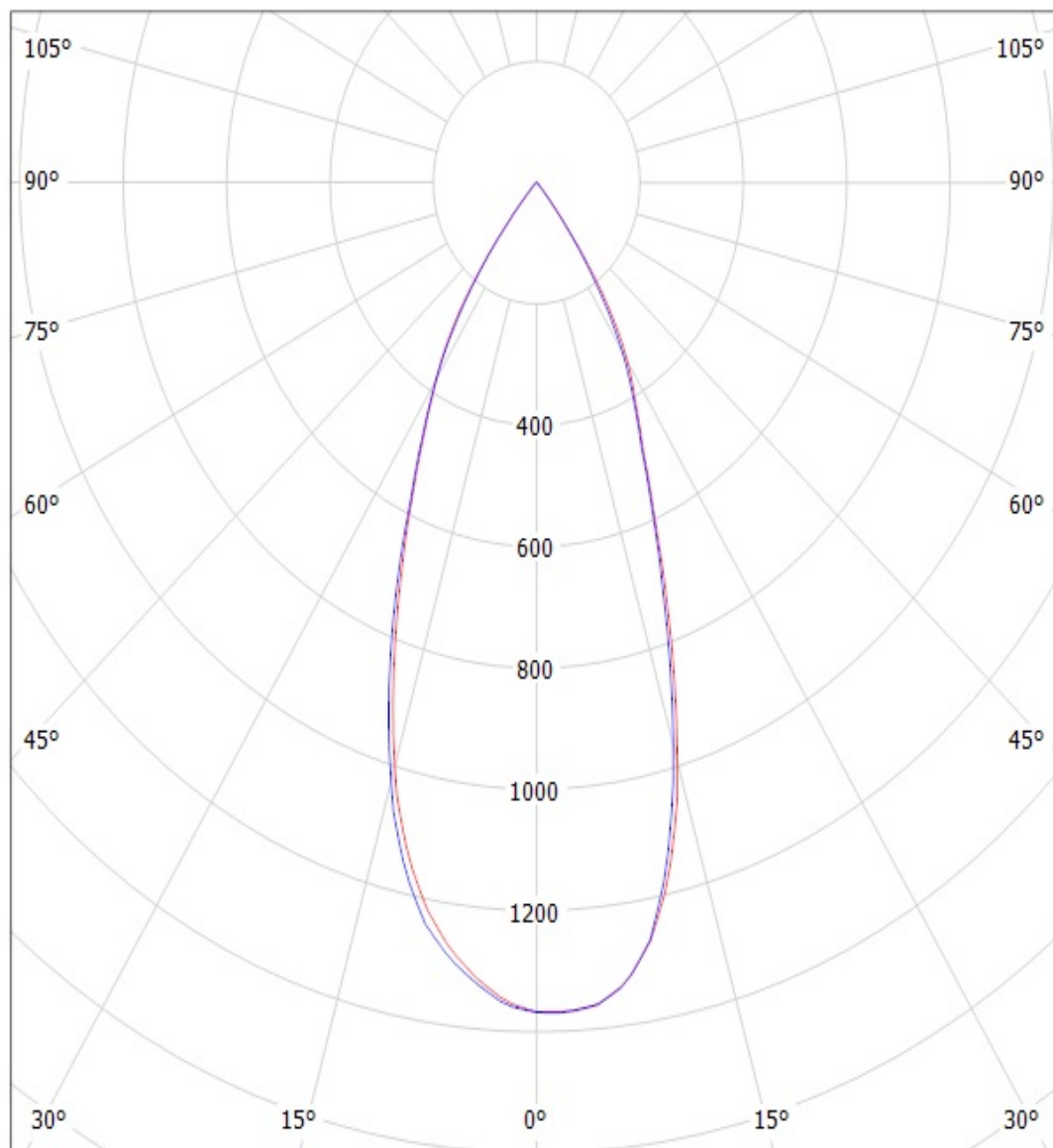
— C0 - C180

— C90 - C270

Luminaire: LEDiL Oy CN13772_MIRELLA-50-W-CL-PF_(V8) Eff.81.8%
Lamps: 1 x BRIDGELUX_V8_847.064lm@250mA_P=8.83692W_I=249.8mA



Luminaire: LEDil Oy CN13772_MIRELLA-50-W-CL-PF_(Stark_SLE_G3_LES10) Efficiency=81%
Lamps: 1 x Tridonic Stark SLE G3 LES10 (STARK-SLE-PURE-G3-10-1000-830-CLA) 453lm @ 250mA CCT=3000K P=4.3W I=250mA



cd/klm

— C0 - C180 — C90 - C270

NOTE: The typical divergence will be changed by different color, chip size and chip position tolerance. The typical total divergence is the full angle measured where the luminous intensity is half of the peak value.

GENERAL INFORMATION

- Product series especially designed & optimized for series of LEDs.
- Special care taken to make light distribution as uniform as possible.

Note! Due to use of high power COB's with this product, special attention to proper thermal design is highly recommended. LEDiL has no liability for direct, indirect or consecutive damages arising from the LEDiL products being used outside of the recommended temperature range.