

4

3

2

1

THIS DRAWING IS UNPUBLISHED.

RELEASED FOR PUBLICATION

,19

© COPYRIGHT 19

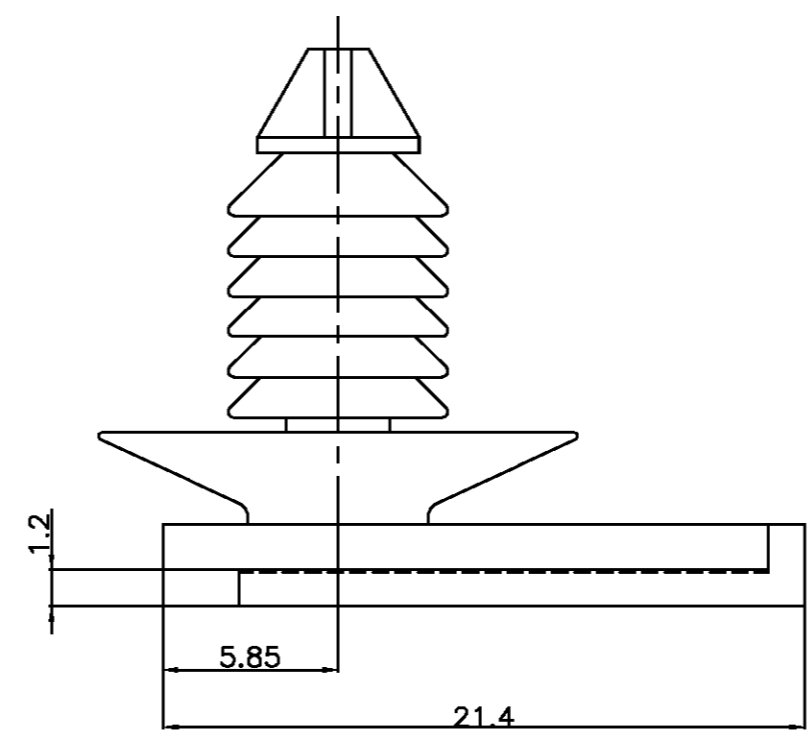
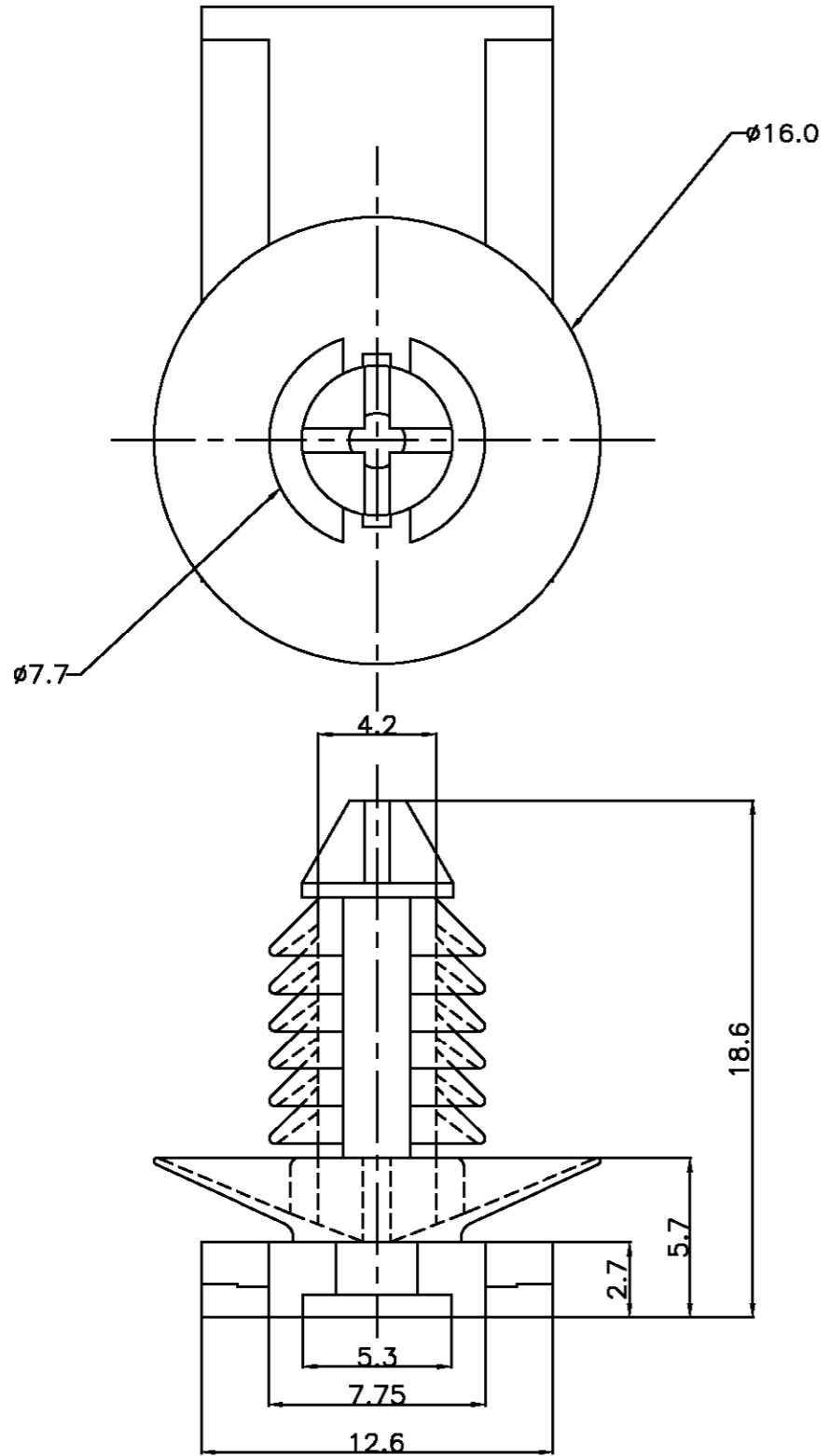
BY AMP INCORPORATED. ALL RIGHTS RESERVED.

LDC DS

DIST

REVISIONS

P	LTR	DESCRIPTION	DATE	DWN	APVD
	0	RELEASED(FC00-0131-99)	27,NOV,'99	HS	CS



NOTES

- 1. MATERIAL: PA66
- 2. COLOR

BLACK	368373-1
COLOR	PART NO.

THIS DRAWING IS A CONTROLLED DOCUMENT FOR AMP INCORPORATED. IT IS SUBJECT TO CHANGE AND THE CONTROLLING ENGINEERING ORGANIZATION SHOULD BE CONTACTED FOR THE LATEST REVISION.

DIMENSIONS: MM	TOLERANCES UNLESS OTHERWISE SPECIFIED: 0 <XX<10 ± 0.2 10<XX<30 ± 0.25 30<XX ± 0.3 ANGLES ± 3°	DWN HS,BAE	 AMP KOREA. kyungsan, korea	
		CHK BM,JANG		
 3rd ANGLE PROJECTION	MATERIAL	APVDCS,LEE		NAME
		PRODUCT SPEC		CLIP HSG FOR 070 & EJ (7Ø PANEL)
FINISH	WEIGHT	APPLICATION SPEC	SIZE	
		SCALE 4/1	CAGE CODE	
			DRAWING NO	
			A3 00779	
			368373	
			SHEET 1 OF 1	
			REV 0	