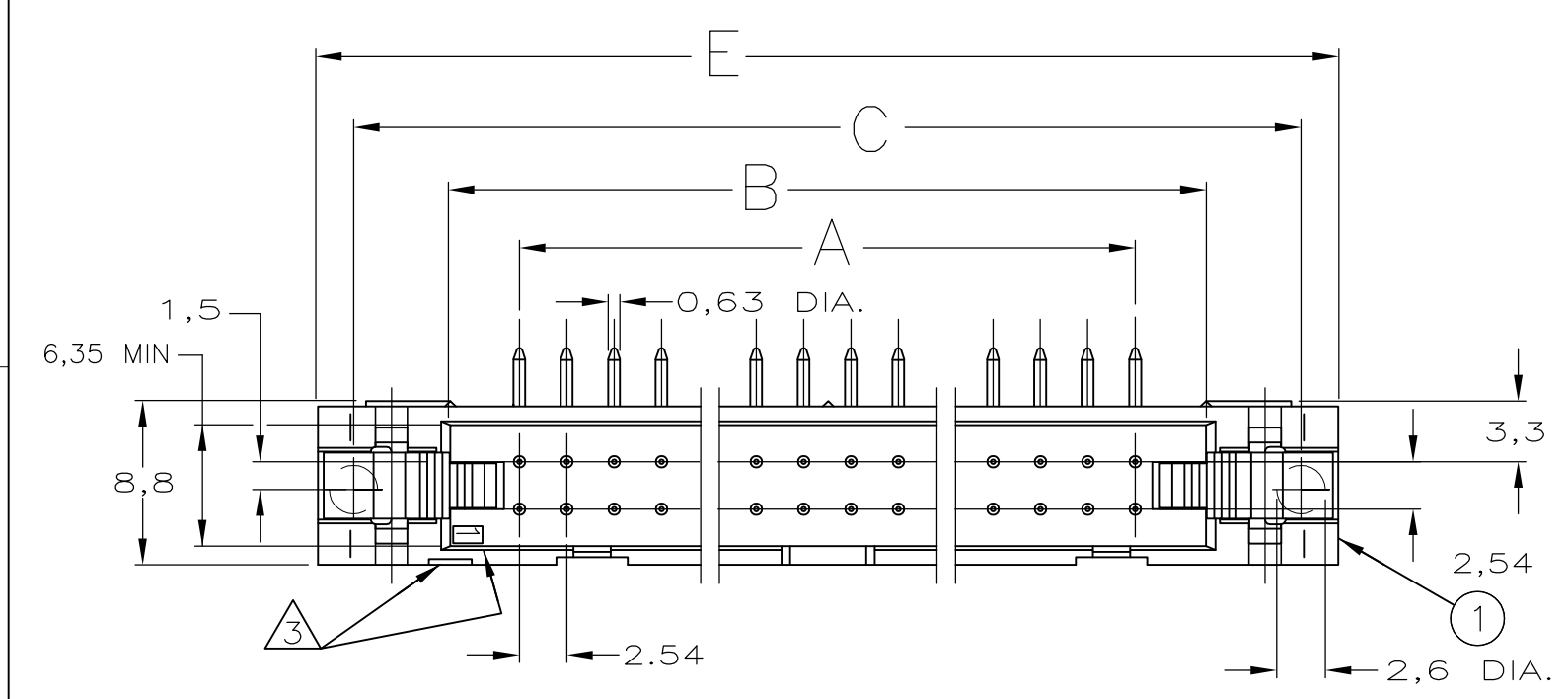


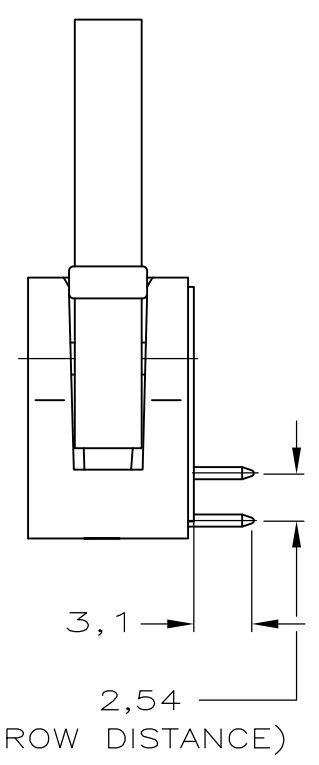
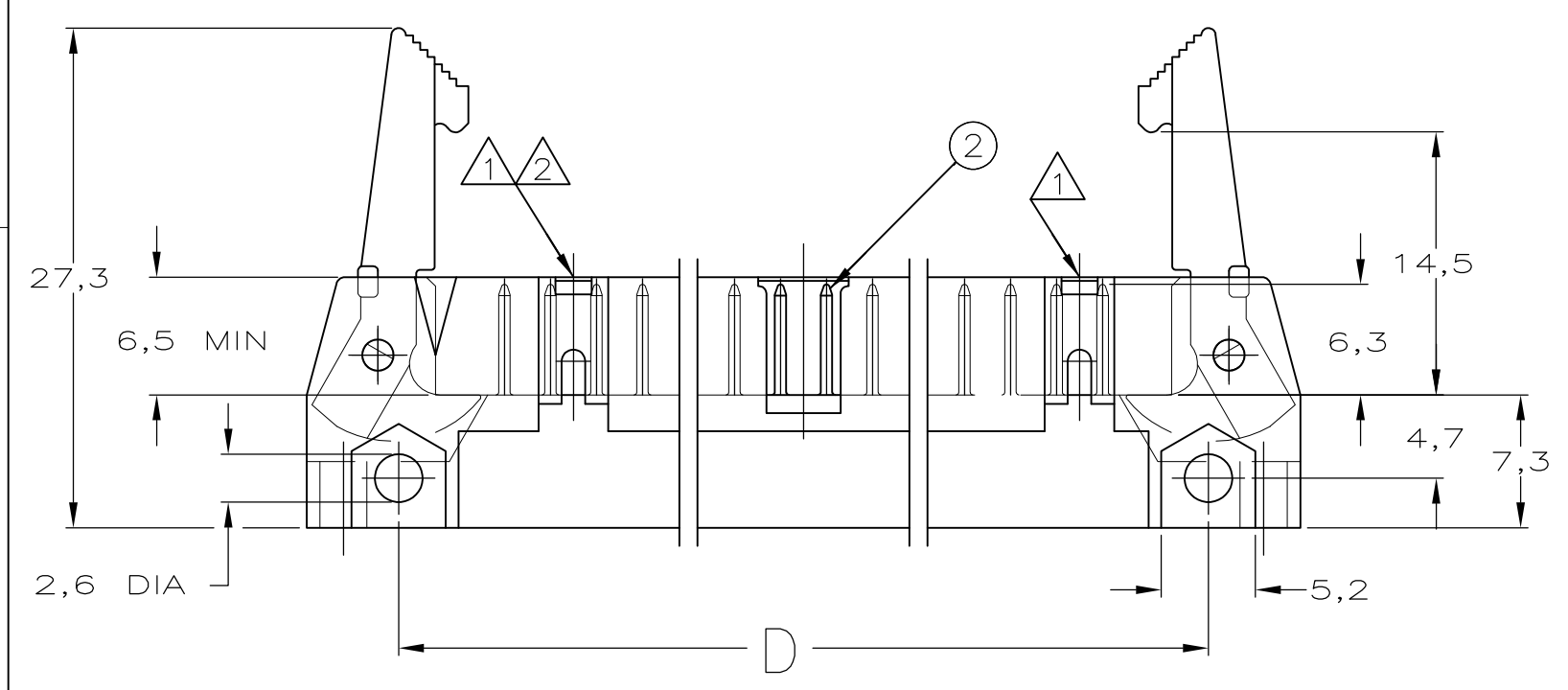
THIS DRAWING IS UNPUBLISHED. RELEASED FOR PUBLICATION  
 © COPYRIGHT - By - ALL RIGHTS RESERVED.

LOC	DIST	REVISIONS					
GP	00	P	LTR	DESCRIPTION	DATE	DWN	APVD
			B	REVISION PER ECO-12-015754	31AUG2012	CJV	SLB



NOTES

- ① SNAP-IN POLARIZERS PN. 927636-2 OR 927637-2 CAN BE APPLIED.
- ② THERE IS NO WINDOW FOR SNAP-IN POLARIZERS AT THIS END IN 10 AND 14 POS. HEADERS.
- ③ INDICATION OF FIRST POSITION.



RECOMMENDED PCB-HOLE PATTERN

② PIN-CONTACT	BRASS	MATING SIDE: 1,2µm AU OR 1,2µm AMP DURAGOLD® / OVER 1,27µm NI SOLDER SIDE: MIN. 3,0µm SN OVER 1,27µm NI
① HOUSING	GLASS FILLED POLYESTER	BLACK

100,6	90,4	96,5	86,4	78,7	64	6-216799-4
95,5	85,3	91,4	81,3	73,7	60	6-216799-0
82,8	72,6	78,7	68,6	61,0	50	5-216799-0
70,1	59,9	66,0	55,9	48,3	40	4-216799-0
62,5	52,3	58,4	48,3	40,6	34	3-216799-4
52,3	42,2	48,3	38,1	30,5	26	2-216799-6
44,7	34,5	40,6	30,5	22,9	20	2-216799-0
39,6	29,5	35,6	25,4	17,8	16	1-216799-6
37,1	26,9	33,0	22,9	15,2	14	1-216799-4
32,0	21,8	27,9	17,8	10,2	10	1-216799-0
E	D	C	B	A	NO OF POSITIONS	PART NUMBER

THIS DRAWING IS A CONTROLLED DOCUMENT. DIMENSIONING AND TOLERANCING PER ASME Y14.5M-2009

DIMENSIONS:	TOLERANCES UNLESS OTHERWISE SPECIFIED:
mm	0 PLC ± -
	1 PLC ± -
	2 PLC ± -
	3 PLC ± -
	4 PLC ± -
	ANGLES ± -
MATERIAL	FINISH
-	-

DWN	R HOGEVEEN	08-11-89
CHK	R VERSTIJNEN	-
APVD	-	-
PRODUCT SPEC	-	-
APPLICATION SPEC	-	-
WEIGHT	-	-

**STE** TE Connectivity

AMP-LATCH HEADERS 90°

VERSION

SIZE	CAGE CODE	DRAWING NO	RESTRICTED TO
A3	00779	C-216799	-

CUSTOMER DRAWING SCALE - SHEET 1 OF 1 REV B