

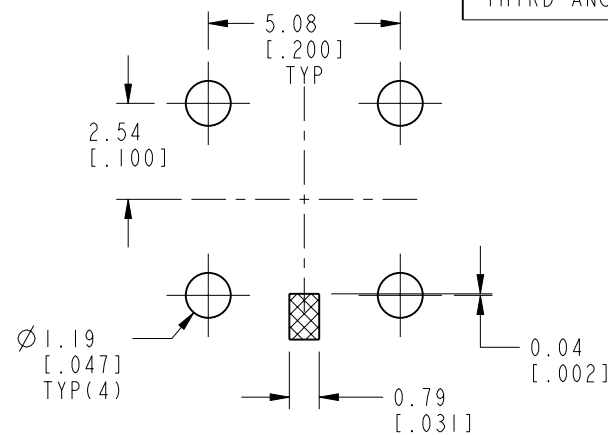
NOTES:

1. MATERIALS AND FINISHES:
 BODY & CONTACT - BRASS, GOLD PLATING
 INSULATOR - LCP
2. ELECTRICAL:
 A. IMPEDANCE: 50 OHM
 B. FREQUENCY RANGE: DC - 18 GHz
 C. VSWR (RETURN LOSS): 1.10 (26.4 dB) MAX DC-6 GHz
 1.15 (23.1 dB) MAX 6-10 GHz
 1.30 (17.7 dB) MAX 10-18 GHz
 D. DIELECTRIC WITHSTANDING VOLTAGE: 500 VRMS, MIN.
3. MECHANICAL:
 A. DURABILITY: 500 CYCLES MIN.
 B. TEMPERATURE RANGE: -65° C TO +165° C
4. PACKAGING:
 A. PACKAGING: TAPE AND REEL
 B. QUANTITY: 800 PCS
 C. MARKING: BAG TO BE MARKED
 "AMPHENOL RF, SMP-MSCM-PCS-10, AND DATE CODE"

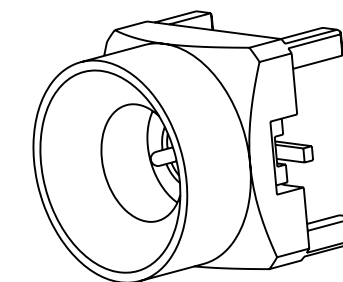
THIRD ANGLE PROJ.

REVISIONS

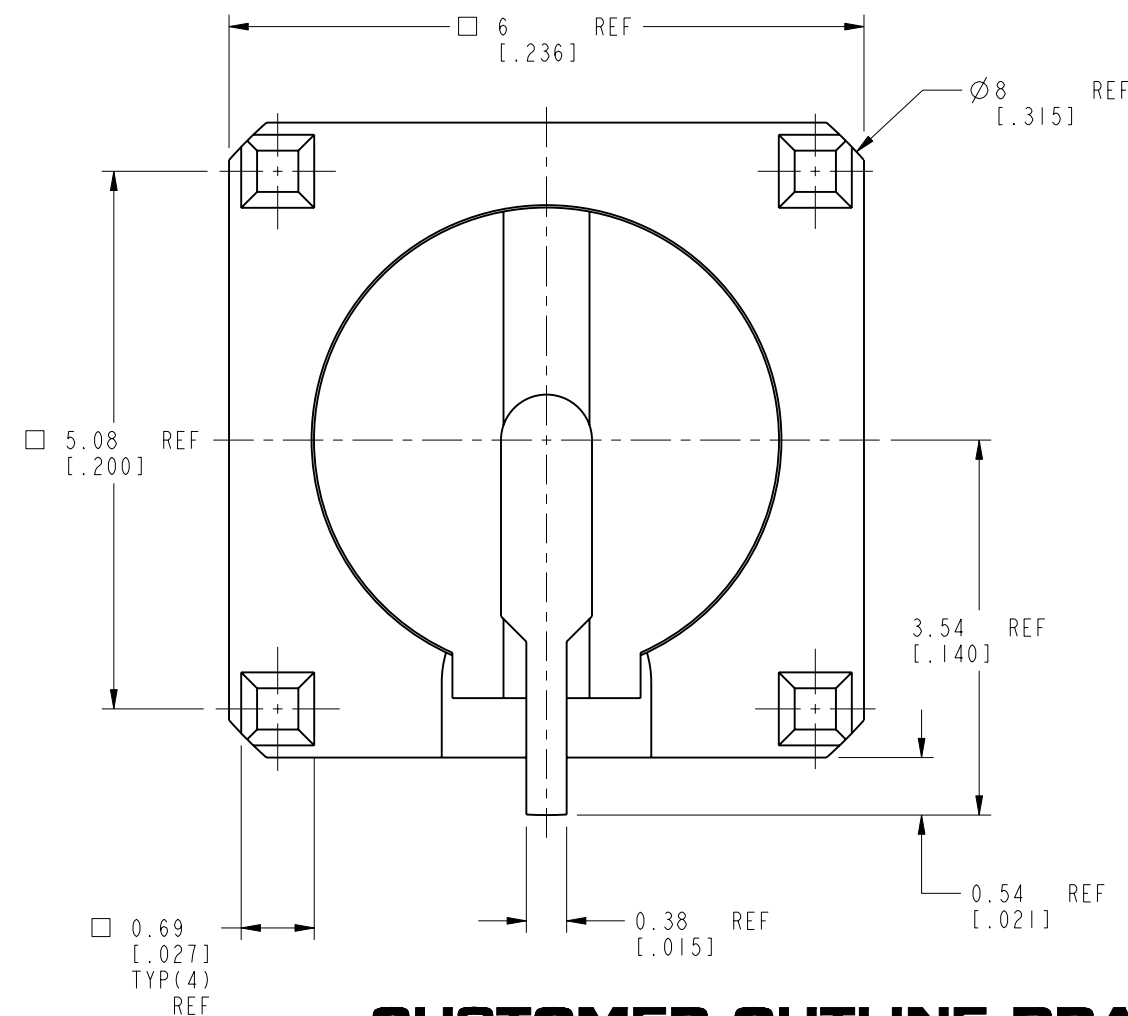
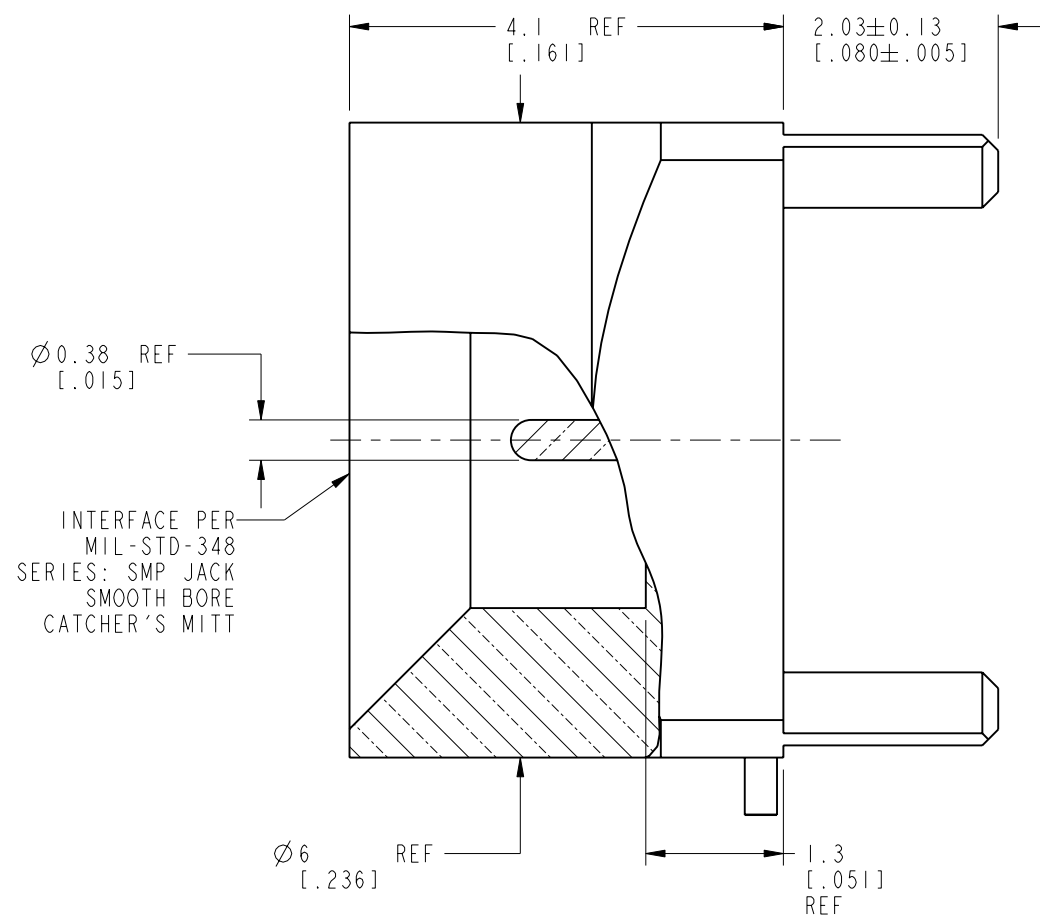
REV	DESCRIPTION	DATE	ECO	APPR
A	RELEASE TO MFG.	06-Jul-15	50634	MM



**RECOMMENDED
PCB LAYOUT**



SCALE 5.000



CUSTOMER OUTLINE DRAWING

ALL OTHER SHEETS ARE FOR INTERNAL USE ONLY

UNLESS OTHERWISE SPECIFIED, DIMENSIONS ARE IN METRIC AND TOLERANCES ARE:
 <0.5mm ±0.05mm 0.5 - 6mm ±0.1mm 6 - 30mm ±0.2mm 30 - 120mm ±0.3mm ANGLES ±1°

NOTICE - These drawings, specifications, or other data (1) are, and remain the property of Amphenol corp. (2) must be returned upon request; and (3) are confidential and not to be disclosed to any person other than those to whom they are given by Amphenol Corp. the furnishing of these drawings, specifications, or other data by Amphenol Corp., or to any other person to anyone for any purpose is not to be regarded by implication or otherwise in any manner licensing, granting rights to permitting such holder or any other person to manufacture, use or sell any product, process or design, patented or otherwise, that may in any way be related to or disclosed by said drawings, specifications, or other data.

MATERIAL	SEE NOTES
REFERENCE	EAR # 6004
CONFIGURATION LEVEL:	In Work
FINISH	

DRAWN	M. DONG	DATE	14-Jul-15
ENGINEER	MICHAEL MURTHA	DATE	04-Jun-15
APPROVED	S. HSIEH	DATE	17-Jul-15
CAD FILE			

TITLE	SMP STR JACK SMOOTH BORE CATCHER'S MITT PCB THRU HOLE
SCALE:	16.0:1.0
SHEET	2 OF 3
DWG SIZE	B
REV	A

Amphenol RF	
www.amphenolrf.com	
DRAWING NO. SMP-MSCM-PCS-10	
ITEM NO. SMP-MSCM-PCS-10	
PART NO. SMP-MSCM-PCS-10	

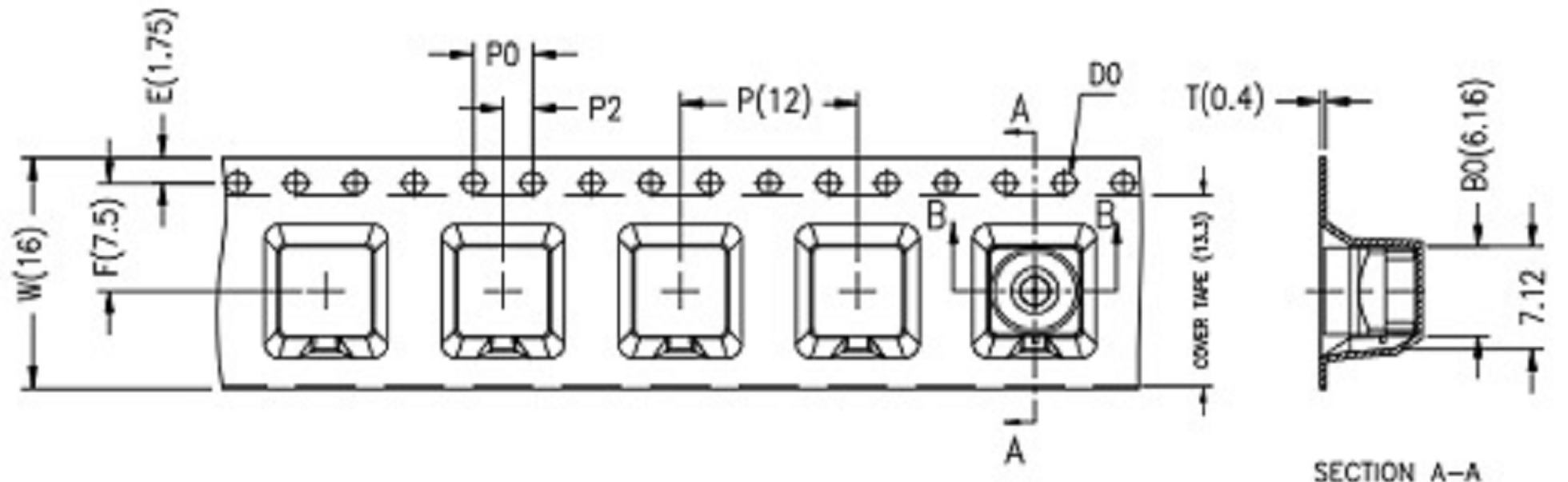
THIRD ANGLE PROJ.

REVISIONS

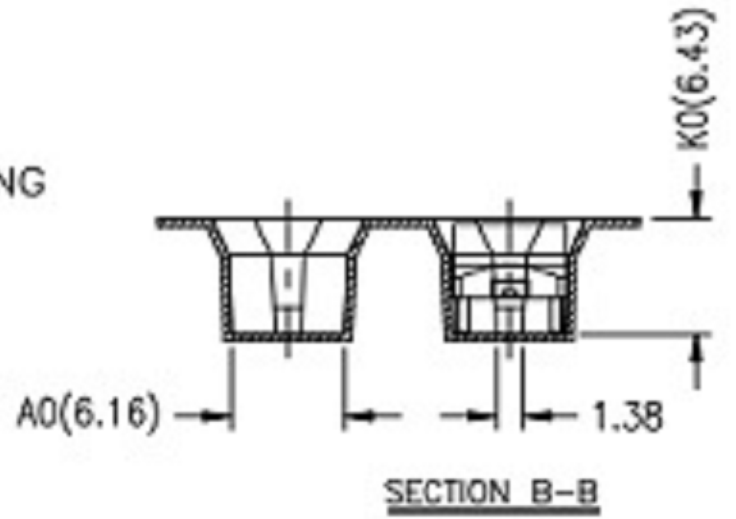
REV	DESCRIPTION	DATE	ECO	APPR
A	PROTOTYPE RELEASE	06-Jul-15	50634	MM



SMP-MSCM-PCS-10



載帶卷料方向
USER DIRECTION OF FEEDING



1. 10 sprocket hole pitch cumulative tolerance $\pm 0.20\text{mm}$.
2. Carrier camber not to exceed 1mm in 250mm.
3. A_0 and B_0 measured on a plane 0.3mm above the bottom of the pocket.
4. K_0 measured from a plane on the inside bottom of the pocket to the top surface of the carrier.
5. All dimensions meet EIA-481-D requirements.
6. Material: Black Conductive Polystyrene.
7. Thickness: 0.40 ± 0.05 mm.
8. Packing length per 13" reel : 10.5 Meters.
9. Component loader per 13" reel : 800 PCS.

注:未注公差為 ± 0.10

NOTE: ALL TOLERANCES ARE: ± 0.10 , EXCEPT WHERE NOTED

UNLESS OTHERWISE SPECIFIED, DIMENSIONS ARE IN METRIC AND TOLERANCES ARE: <0.5mm $\pm 0.05\text{mm}$ 0.5 - 6mm $\pm 0.1\text{mm}$ 6 - 30mm $\pm 0.2\text{mm}$ 30 - 120mm $\pm 0.3\text{mm}$ ANGLES $\pm 1^\circ$	MATERIAL BLOCK PS	DRAWN STRONG	DATE 09-Jul-15	TITLE TAPE & REEL	Amphenol RF www.amphenolrf.com
	REFERENCE EAR # 6004 AND	ENGINEER MICHAEL MURTHA	DATE 09-Jul-15		
NOTICE - These drawings, specifications, or other data (1) are, and remain the property of Amphenol corp. (2) must be returned upon request; and (3) are confidential and not to be disclosed to any person other than those to whom they are given by Amphenol Corp. the furnishing of these drawings, specifications, or other data by Amphenol Corp., or to any other person to anyone for any purpose is not to be regarded by implication or otherwise in any manner licensing, granting rights to permitting such holder or any other person to manufacture, use or sell any product, process or design, patented or otherwise, that may in any way be related to or disclosed by said drawings, specifications, or other data.	CONFIGURATION LEVEL: In Work	APPROVED S. HSIEH	DATE 17-Jul-15	SCALE: 20.0:1.0 SHEET 3 OF 3	ITEM NO. SMP-MSCM-PCS-10
	FINISH	CAD FILE	DWG SIZE B	REV A	PART NO. SMP-MSCM-PCS-10