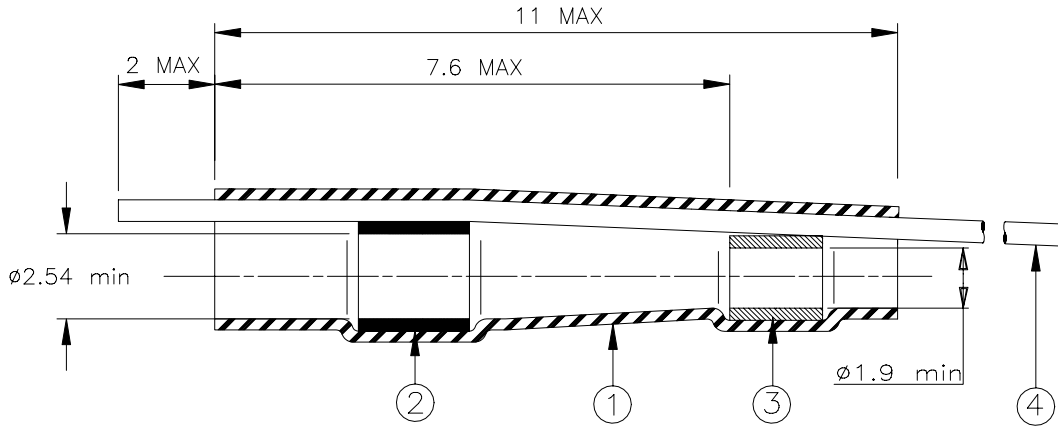


# SPECIFICATION CONTROL DRAWING



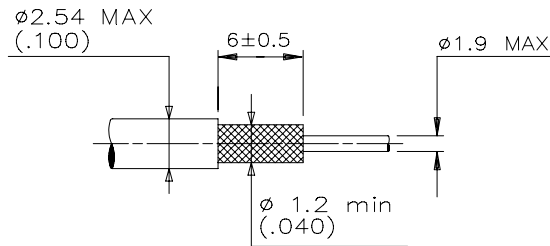
### MATERIAL

1. INSULATION SLEEVE: Heat-shrinkable, transparent blue, radiation cross-linked modified polyvinylidene fluoride.
2. SOLDER PREFORM WITH FLUX:  
 SOLDER: TYPE Sn63 per ANSI-J-STD-006.  
 FLUX: TYPE ROL1 per ANSI-J-STD-004.
3. MELTABLE RING: Thermally stabilized thermoplastic. Color:blue.
4. UNINSULATED LEAD: Tin coated copper AWG 24.

### APPLICATION

1. These parts are designed to provide an environment protected shield termination on cables, rated for at least 125°C minimum, meeting the dimensional criteria listed, having tin or silver plated shields.
2. Temperature range: -55°C to +150°C.

For best results, prepare the cable as shown:



\* A trademark of Raychem Corporation.

<b>Raychem</b>		<b>THERMOFIT DEVICES</b>	Raychem Corporation 300 Constitution Drive Menlo Park, CA 94025 USA	TITLE: <b>SOLDERSLEEVE* WITH PRE-INSTALLED LEAD</b>			
UNLESS OTHERWISE SPECIFIED DIMENSIONS ARE IN MILLIMETERS. INCHES DIMENSIONS ARE BETWEEN BRACKETS.				DOCUMENT NO: <b>D-146-0180</b>			
TOLERANCES: 0.00 N/A 0.0 N/A 0 N/A	ANGLES: N/A  ROUGHNESS IN MICRON	Raychem reserves the right to amend this drawing at any time. Users should evaluate the suitability of the product for their application.		DCR NUMBER: D980914		REPLACES: D1460180	
DRAWN BY: M. FORONDA	DATE: 06/15/98	PROD. REV. B	DOC ISSUE: 1	SCALE: None	SIZE: A	SHEET: 1 of 1	

If this document is printed it becomes uncontrolled. Check for the latest revision.