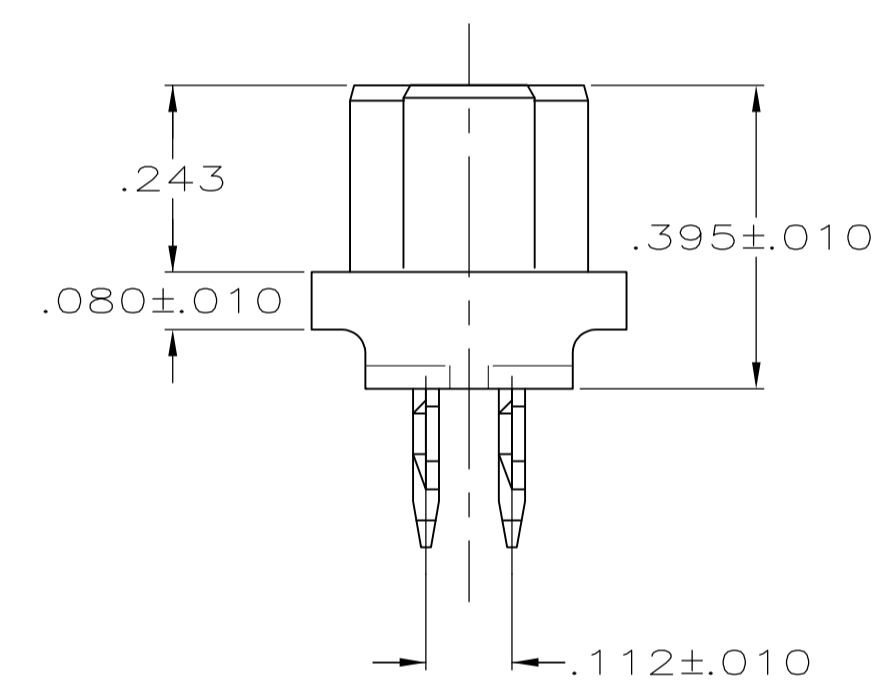
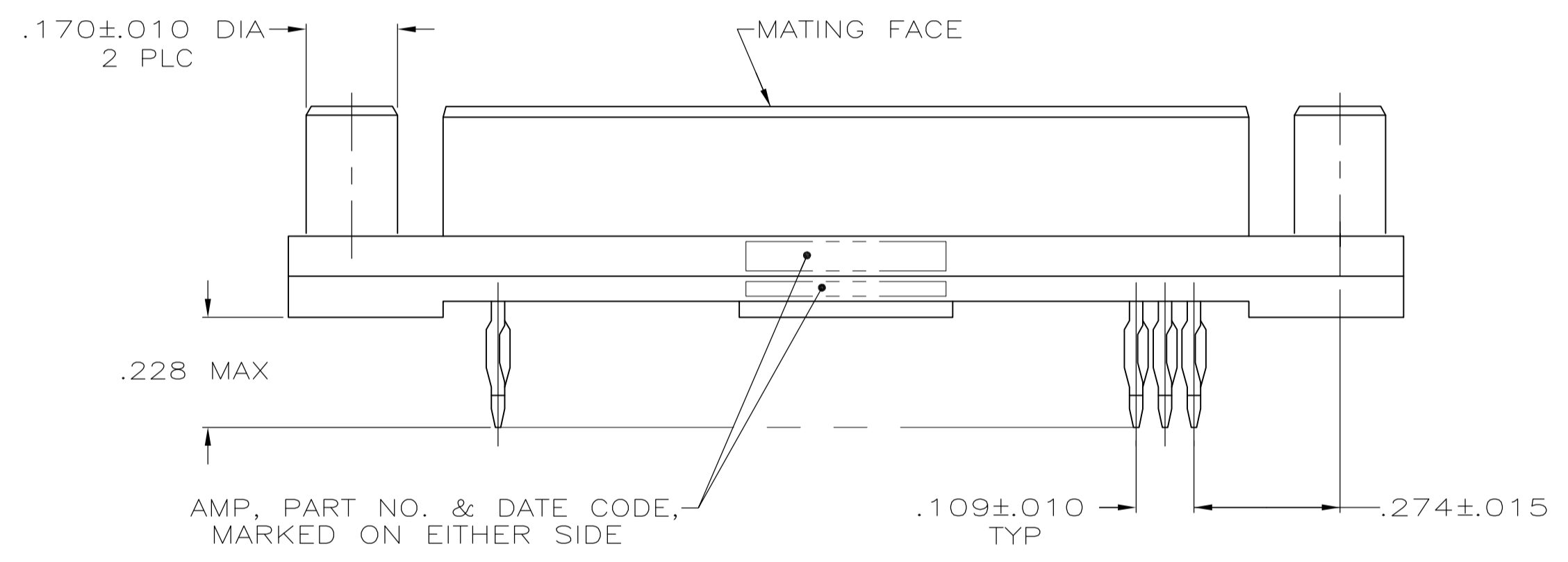


- 1 FOR USE WITH .093 MINIMUM THICK PRINTED CIRCUIT BOARD. REFER TO APPLICATION SPECIFICATION FOR PRINTED CIRCUIT BOARD LAYOUT DIMENSIONS AND FINISH RECOMMENDATIONS.
- 2 FLAME RETARDANT, 94V-0 RATED, GLASS FILLED, NYLON OR POLYESTER, COLOR: BLACK.
- 3 COPPER ALLOY
- 4 BRASS
- 5 GOLD FLASH IN MATING AREA. .000100 MINIMUM TIN OR TIN-LEAD ON COMPLIANT PIN. ALL OVER .000050 MINIMUM NICKEL.
- 6 .000030 MINIMUM GOLD IN MATING AREA. .000100 MINIMUM TIN OR TIN-LEAD ON COMPLIANT PIN. ALL OVER .000050 MINIMUM NICKEL. OR GOLD FLASH OVER PALLADIUM NICKEL. .000030 MINIMUM TOTAL IN MATING AREA. .000100 MINIMUM TIN OR TIN-LEAD ON COMPLIANT PIN. ALL OVER .000050 MINIMUM NICKEL.
- 7 SCREWLOCKS: NICKEL PLATED.
- 8 SCREWLOCKS MUST WITHSTAND 4 INCH-LBS TORQUE AND 20 LBS PULL OUT FORCE FROM MATING FACE SIDE.
- 9 SCREWLOCKS MUST BE FLUSH TO .015 BELOW MATING FACE.



OBSOLETE	6	745458-2
	5	745458-1
	CONTACT FINISH	PART NUMBER

THIS DRAWING IS A CONTROLLED DOCUMENT. DIMENSIONING AND TOLERANCING PER ASME Y14.5M-2009		DIN W LENKER 5-31-88	TE Connectivity	
DIMENSIONS: INCHES		CHK S WELDON 6-1-88	NAME	
TOLERANCES UNLESS OTHERWISE SPECIFIED:		APVD	RECEPTACLE ASSEMBLY, SIZE 3, 25 POSITION, WITH ACTION PIN CONTACTS & SCREWLOCKS.	
0 PLC ± -	1 PLC ± -	PRODUCT SPEC	108-40014	
2 PLC ± -	3 PLC ± .005	APPLICATION SPEC	114-40026	
4 PLC ± -	ANGLES ± -	SIZE	CAGE CODE	DRAWING NO
MATERIAL	FINISH	WEIGHT	A1 00779	745458
CUSTOMER DRAWING		SCALE	4:1	SHEET 1 OF 1 REV H