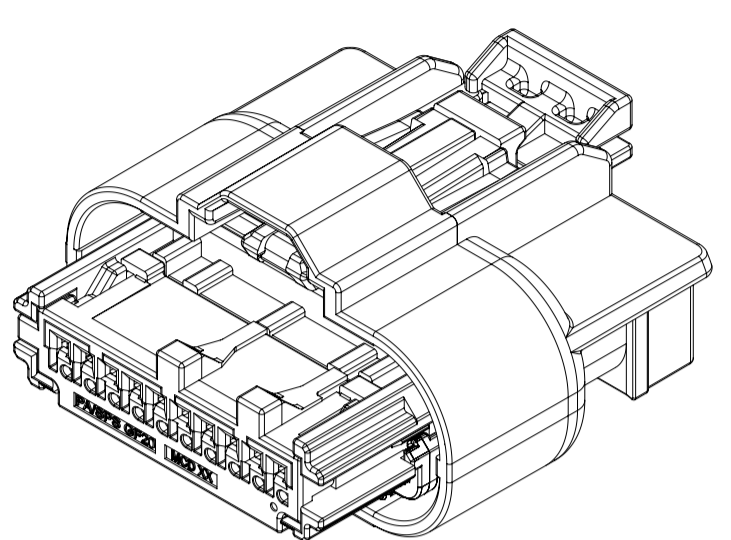


TABLE OF CONTENTS	
SHEET NO.	SHEET DESCRIPTION
1	NOTES AND PART NUMBER CHART
2	KEY CONFIGURATION
3	RECEPTACLE CONNECTOR ASSEMBLY

PART NUMBER AND MATING INTERFACE CHART						
PART NUMBER	KEY	COVER COLOR	TERMINAL POSITIONS PLUGGED	CPA INCLUDED	INTERFACE PART NUMBER	
349671001	A	BLACK	NONE	YES	349681801	
349671002	B	LIGHT GRAY	NONE	YES	349681802	
349671003	C	DARK GRAY	NONE	YES	349681803	
349671004	D	STONE GRAY	NONE	YES	349681804	
349671005	A	BLACK	NONE	NO	349681801	
349671006	B	LIGHT GRAY	NONE	NO	349681802	
349671007	C	DARK GRAY	NONE	NO	349681803	
349671008	D	STONE GRAY	NONE	NO	349681804	



1X10

NOTES: VALID UNLESS OTHERWISE SPECIFIED

1. GENERAL:
- A. APPLICATION SPECIFICATION SEE: AS-34894-0001
 -CONTAINS: PRODUCT INTRODUCTION, PRODUCT SUMMARY, CONNECTOR ASSEMBLY, PACKAGING INFORMATION, CONNECTOR MATING, SERVICE INSTRUCTIONS, ELECTRICAL CONTINUITY CHECKING, CRIMPING, AND TROUBLESHOOTING.
- B. TERMINALS TO BE USED WITH THIS ASSEMBLY:

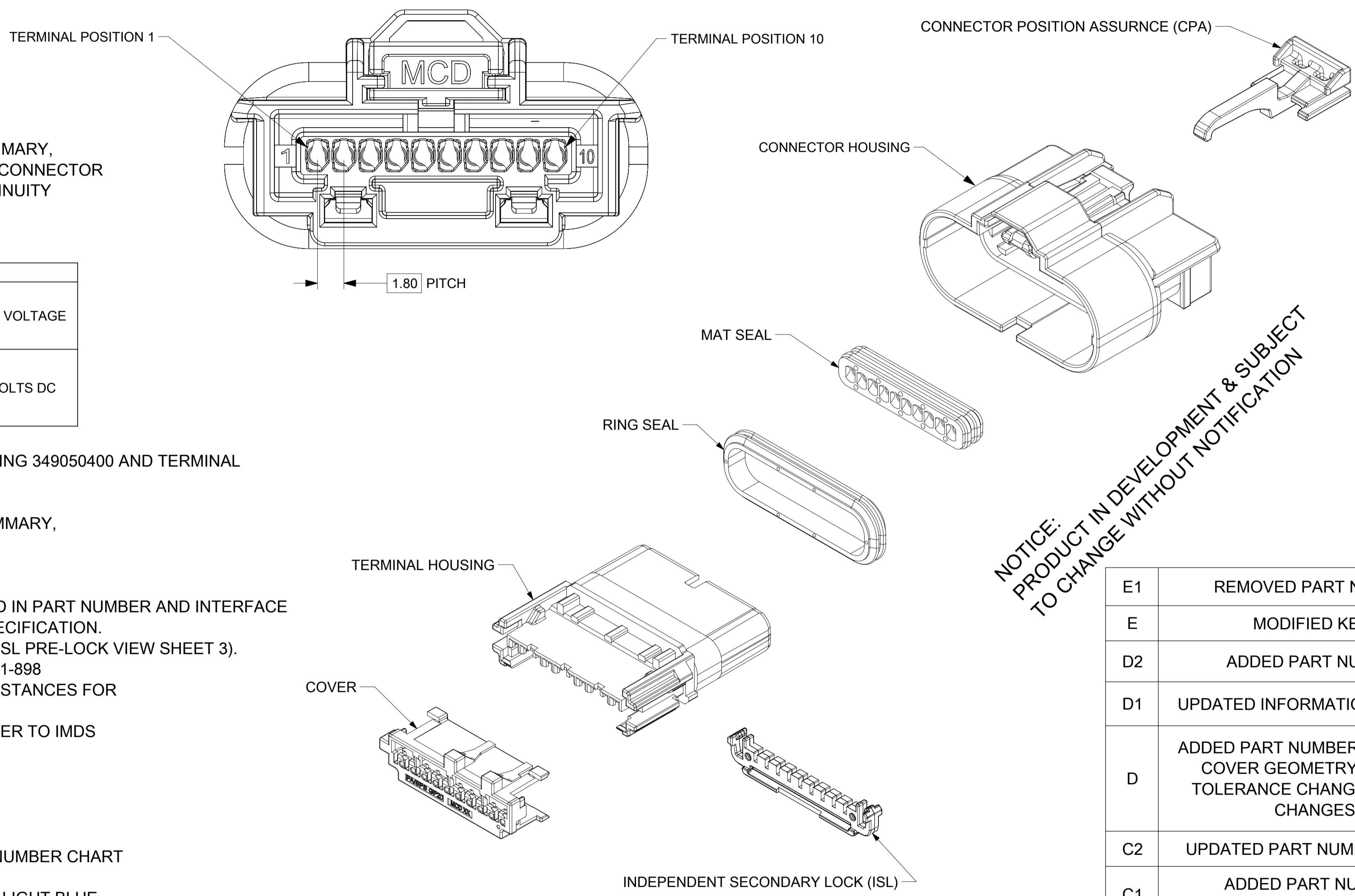
TERMINAL TABLE							
TERMINAL PART NUMBER	MARKING TYPE	TOP LAYER PLATING TYPE	GRIP CODE	WIRE INSULATION OD (mm)	WIRE SIZE (mm ²)	MAX TEMP.	MAX VOLTAGE
34905-3443	LH	Ag	L	1.2-1.4	0.35	125°C	14 VOLTS DC
34905-2443	L	Sn	L	1.2-1.4	0.35	105°C	
34905-3444	SH	Ag	S	0.95-1.05	0.13	125°C	
34905-2444	S	Sn	S	0.95-1.05	0.13	105°C	

FOR MORE INFORMATION ON TERMINALS SEE MOLEX DRAWING 349050400 AND TERMINAL PRODUCT SPECIFICATION PS-34905-001.

- C. CONNECTOR PRODUCT SPECIFICATION SEE 349670001 PS
 CONTAINS: PRODUCT INTRODUCTION, PRODUCT SUMMARY, RATINGS AND PRODUCT VALIDATION.
 VALIDATED TO USCAR 2 REV 6.
 RATINGS: T3 V1 S2
- D. DESIGNED TO MATE WITH DEVICE INTERFACE AS SPECIFIED IN PART NUMBER AND INTERFACE CHART. SEE MOLEX DRAWING 349681800 FOR INTERFACE SPECIFICATION.
- E. ASSEMBLY SHIPPED WITH ISL IN PRE-LOCK POSITION (SEE ISL PRE-LOCK VIEW SHEET 3).
- F. PACKAGING SPECIFICATION PER MOLEX DRAWING: PK-31301-898
- G. PARTS MUST BE IN COMPLIANCE TO MOLEX CHEMICAL SUBSTANCES FOR PRODUCTS AND PACKAGING SPECIFICATION: ES-40000-5016
- H. DATA MUST BE SUBMITTED UNDER THE MOLEX PART NUMBER TO IMDS (COMPANY ID#13255)

2. DESIGN - MATERIALS:
- CONNECTOR HOUSING: SPS/NYLON GF20 BLACK
 TERMINAL HOUSING: SPS/NYLON GF20 BLACK
 COVER: SPS/NYLON GF20 COLORS IN PART NUMBER CHART
 ISL: SPS GF30 NATURAL
 MAT SEAL: INHERENTLY LUBRICATED SILICONE LIGHT BLUE
 RING SEAL: INHERENTLY LUBRICATED SILICONE RUST RED
 CPA (OPTIONAL): PBT GF30 RED

3. DESIGN - GEOMETRY:
- A. ALL GRAPHIC DATA IS BASIC (NO TOLERANCE) AND MUST BE TAKEN FROM THE DATA FILE AT ITS LATEST REVISION.
- B. GEOMETRIC DIMENSIONS AND TOLERANCES PER ASME Y14.5M-2009
- C. EDGES AND UNDIMENSIONED DETAILS PER ISO13715
- D. CORNERS SHOWN AS SHARP TO BE R 0.2 MAX.
- E. LETTERING SHALL BE 0.15 MAX RAISED IN 0.25 MAX RECESS PAD.
 THIS INCLUDES RECYCLING CODE, CAVITY ID, VENDOR IDENTIFICATION, AND CUSTOMER MATERIAL NUMBER.
- F. VISUAL DEFECTS SHALL MEET COSMETIC STANDARD PS-45499-002 (Class B).
- G. PARTS ARE LASER MARKED WITH PART NUMBER AND DATE CODE



NOTICE: PRODUCT IN DEVELOPMENT & SUBJECT TO CHANGE WITHOUT NOTIFICATION

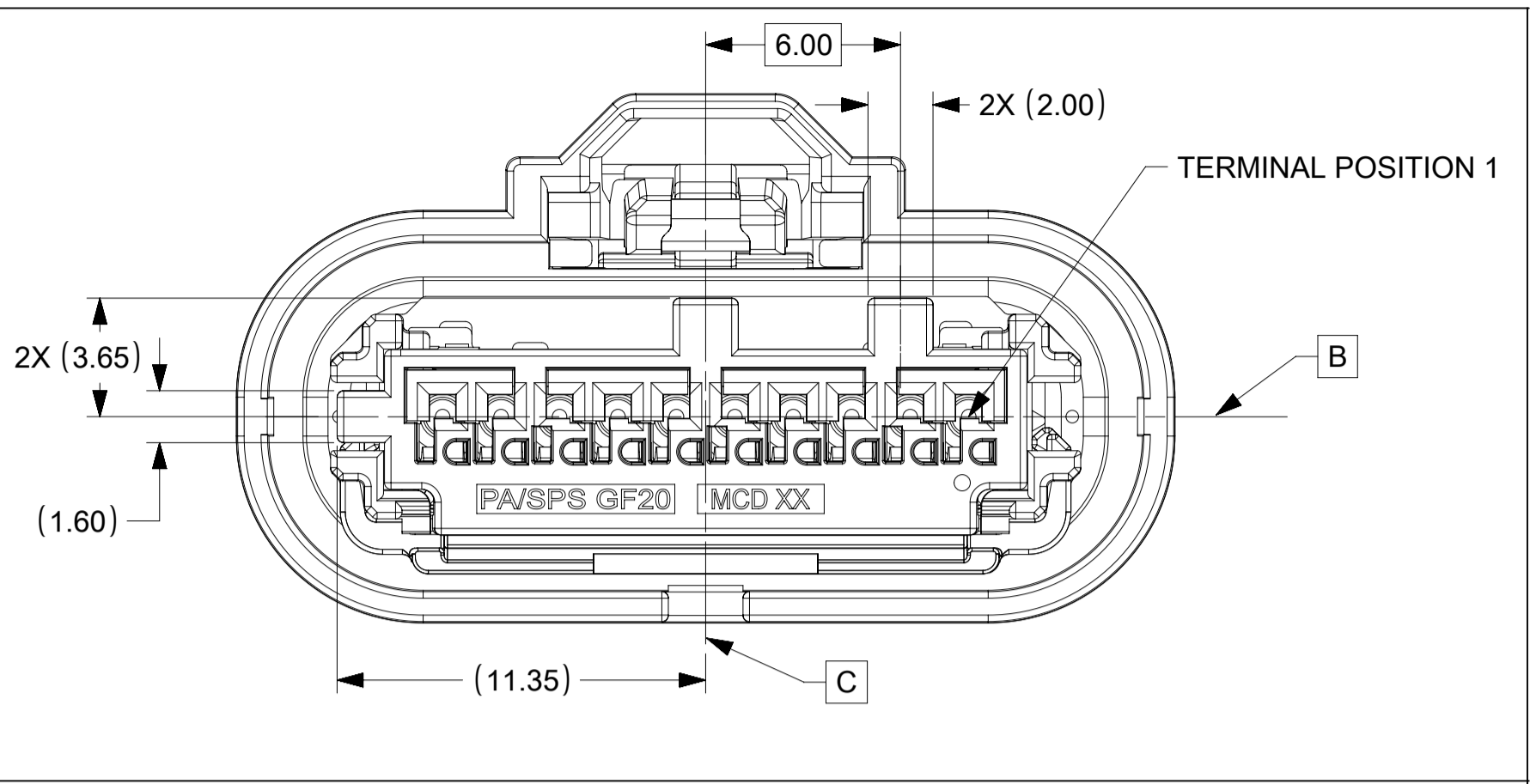
E1	REMOVED PART NUMBER
E	MODIFIED KEYS
D2	ADDED PART NUMBER
D1	UPDATED INFORMATION IN NOTES
D	ADDED PART NUMBER TO CHART. COVER GEOMETRY UPDATE. TOLERANCE CHANGES. NOTES CHANGES.
C2	UPDATED PART NUMBER CHART
C1	ADDED PART NUMBER. CORRECTIONS & CLARIFICATIONS
C	RELEASE
REV	REV DESCRIPTION

INSPECTION NUMBER LOG	
LAST NUMBER:	15
ADDED:	
REMOVED:	2,4,7,8,9,13,14

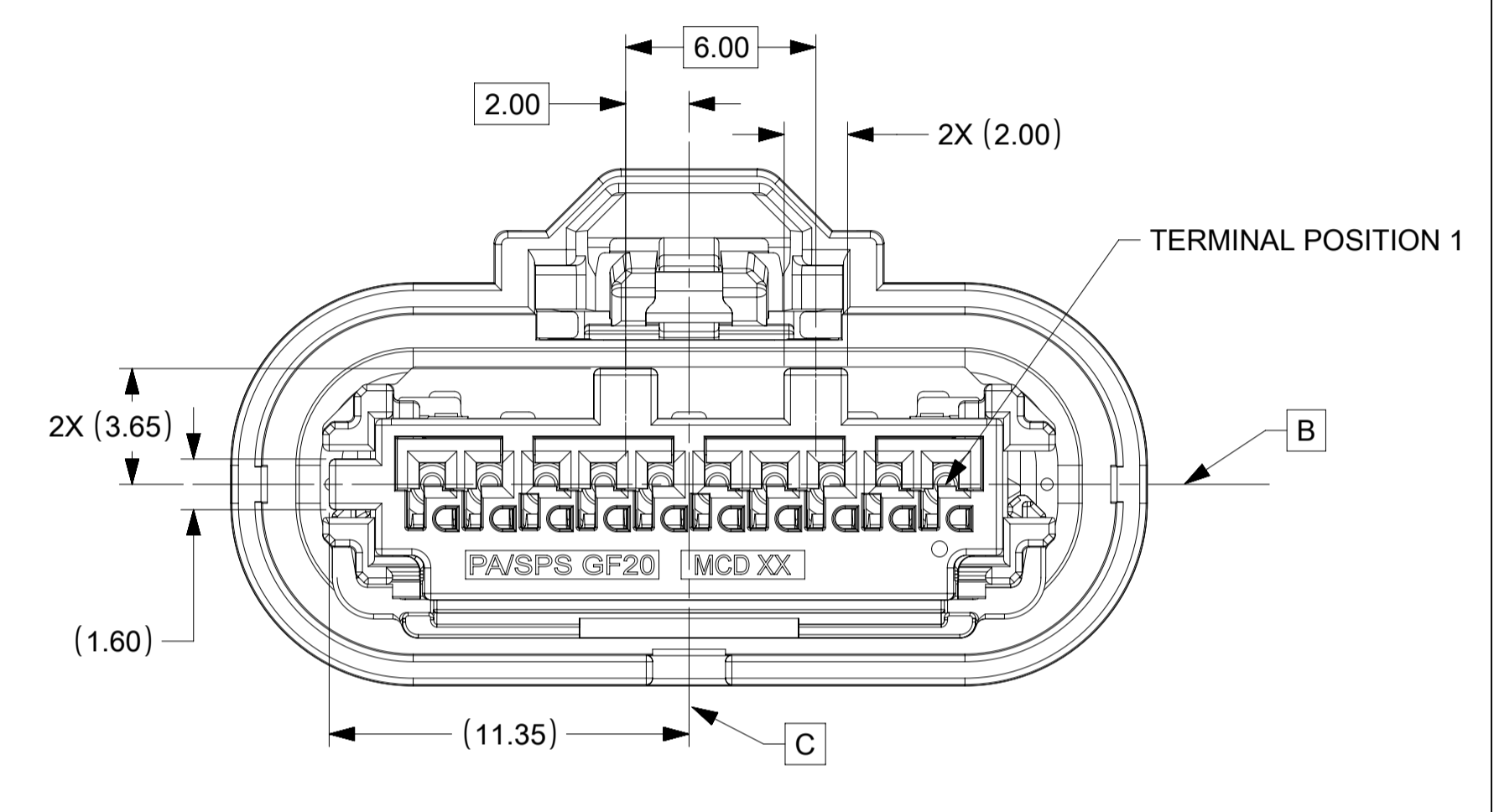
THIS DRAWING CONTAINS INFORMATION THAT IS PROPRIETARY TO MOLEX ELECTRONIC TECHNOLOGIES, LLC AND SHOULD NOT BE USED WITHOUT WRITTEN PERMISSION

EC NO: 170593 DRWN: JURUTTER CHKD: JCONDON REV: APPR:	2018/01/10	2018/01/12	GENERAL TOLERANCES (UNLESS SPECIFIED)	DIMENSION UNITS	SCALE	
			mm	1:1		
			ANGULAR TOL ± 0.3 °	DRWN BY	DATE	MINI50 SEALED 1X10 RCPT ASSY
			4 PLACES ±	MNS02	2016/04/26	
			3 PLACES ±	CHK'D BY	DATE	PRODUCT CUSTOMER DRAWING
			2 PLACES ± 0.1	APPR BY	DATE	
			1 PLACE ± 0.2	JALEXANDER	2016/05/19	SERIES
			0 PLACES ±	DRAWING SIZE	THIRD ANGLE PROJECTION	MATERIAL NUMBER
			DRAFT WHERE APPLICABLE MUST REMAIN WITHIN DIMENSIONS	A1		CUSTOMER
E1						34967
						SEE CHART
						DOCUMENT NUMBER
						349671000
						DOC TYPE
						PSD
						DOC PART
						000
						SHEET NUMBER
						1 OF 3

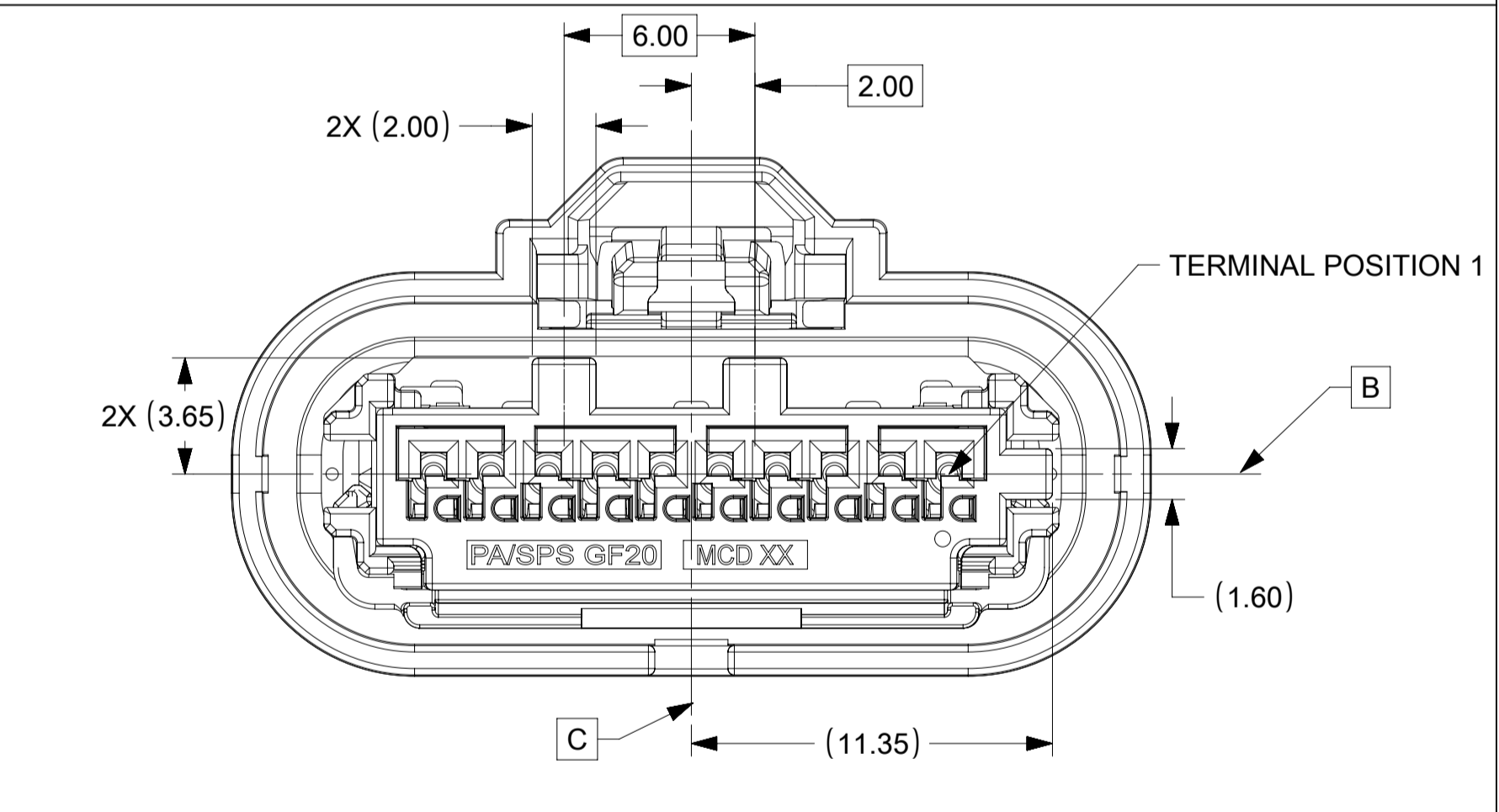
SHEET DESCRIPTION
KEY CONFIGURATIONS



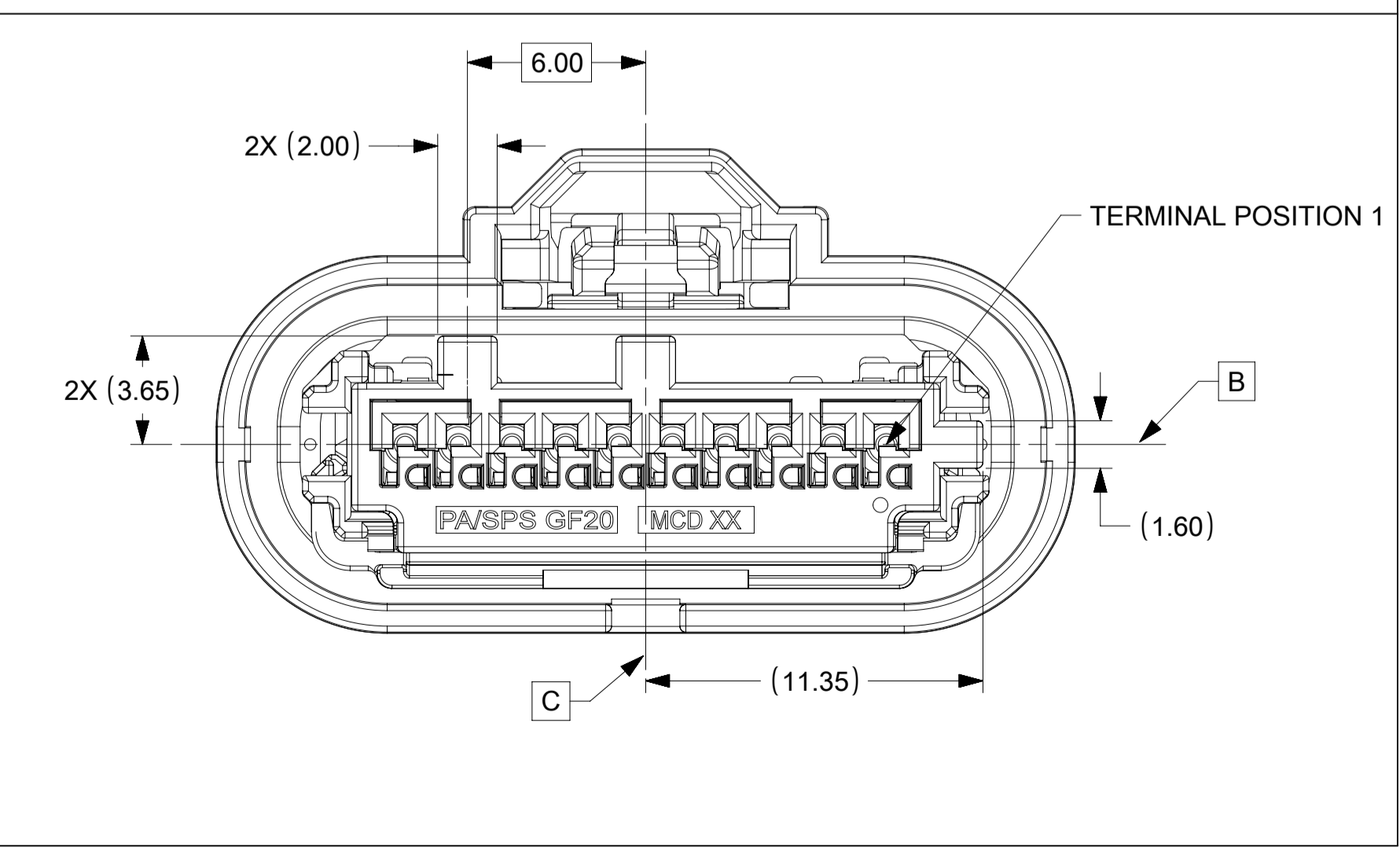
KEY A



KEY B



KEY C



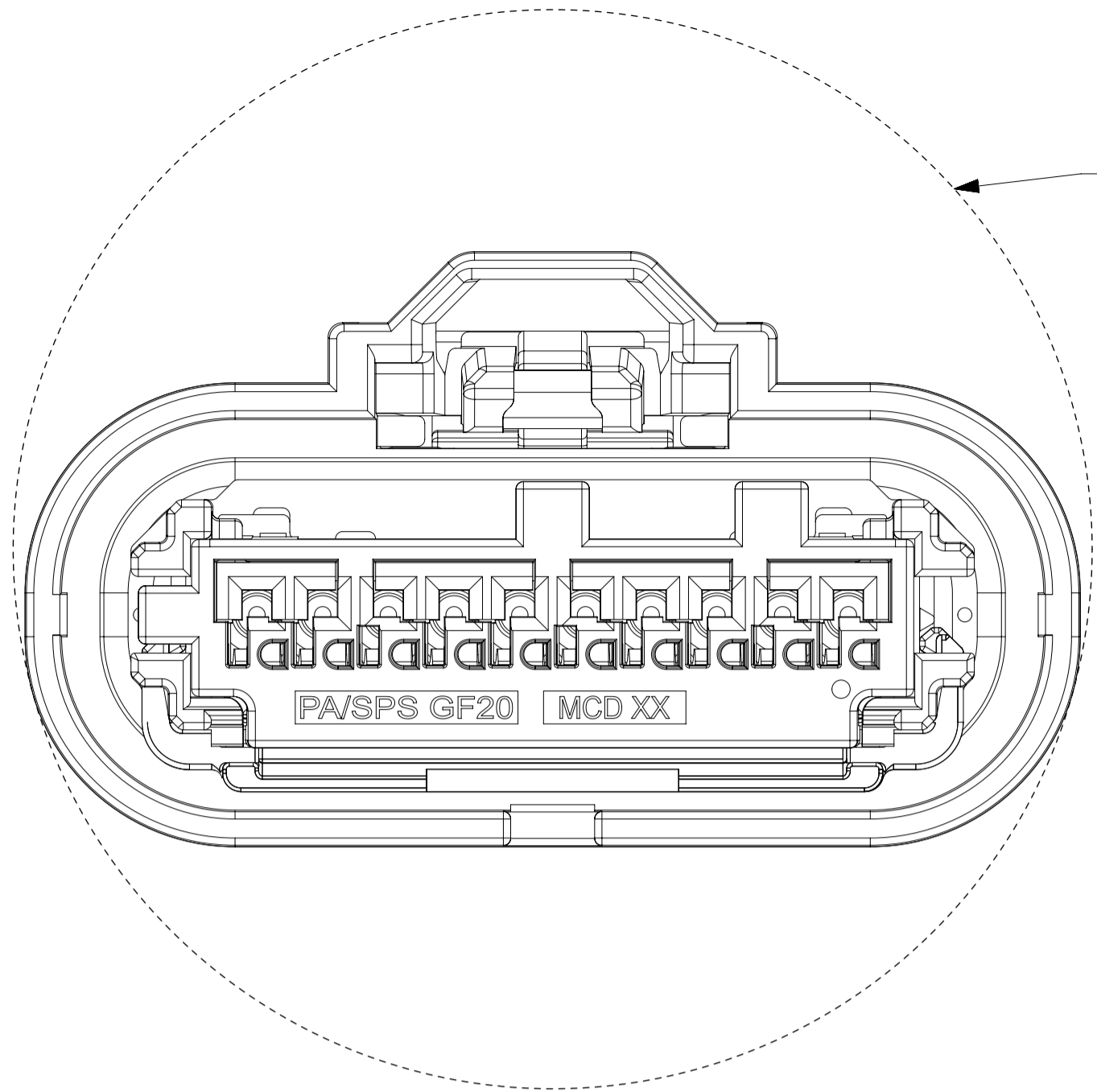
KEY D

THIS DRAWING CONTAINS INFORMATION THAT IS PROPRIETARY TO MOLEX ELECTRONIC TECHNOLOGIES, LLC AND SHOULD NOT BE USED WITHOUT WRITTEN PERMISSION

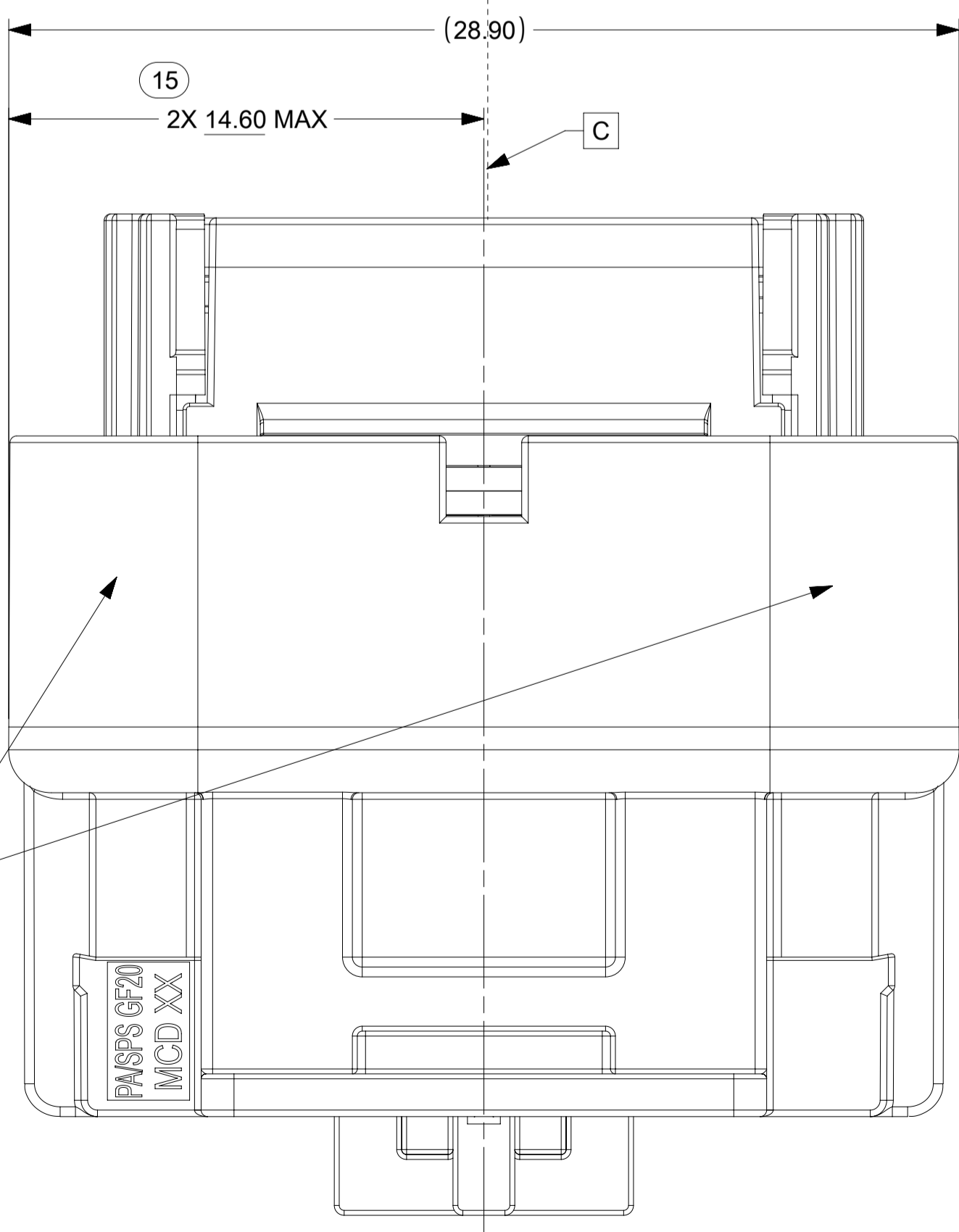
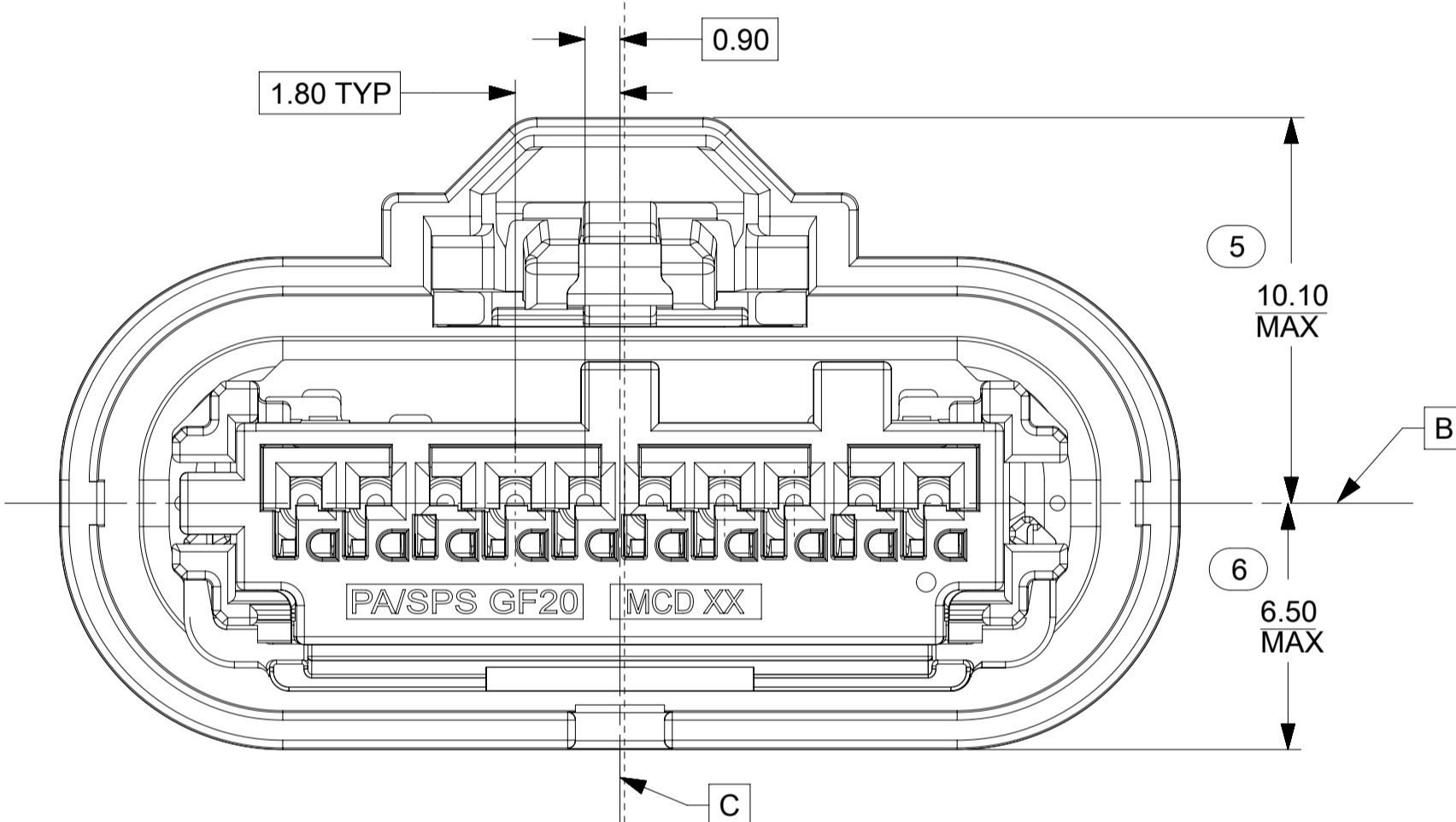
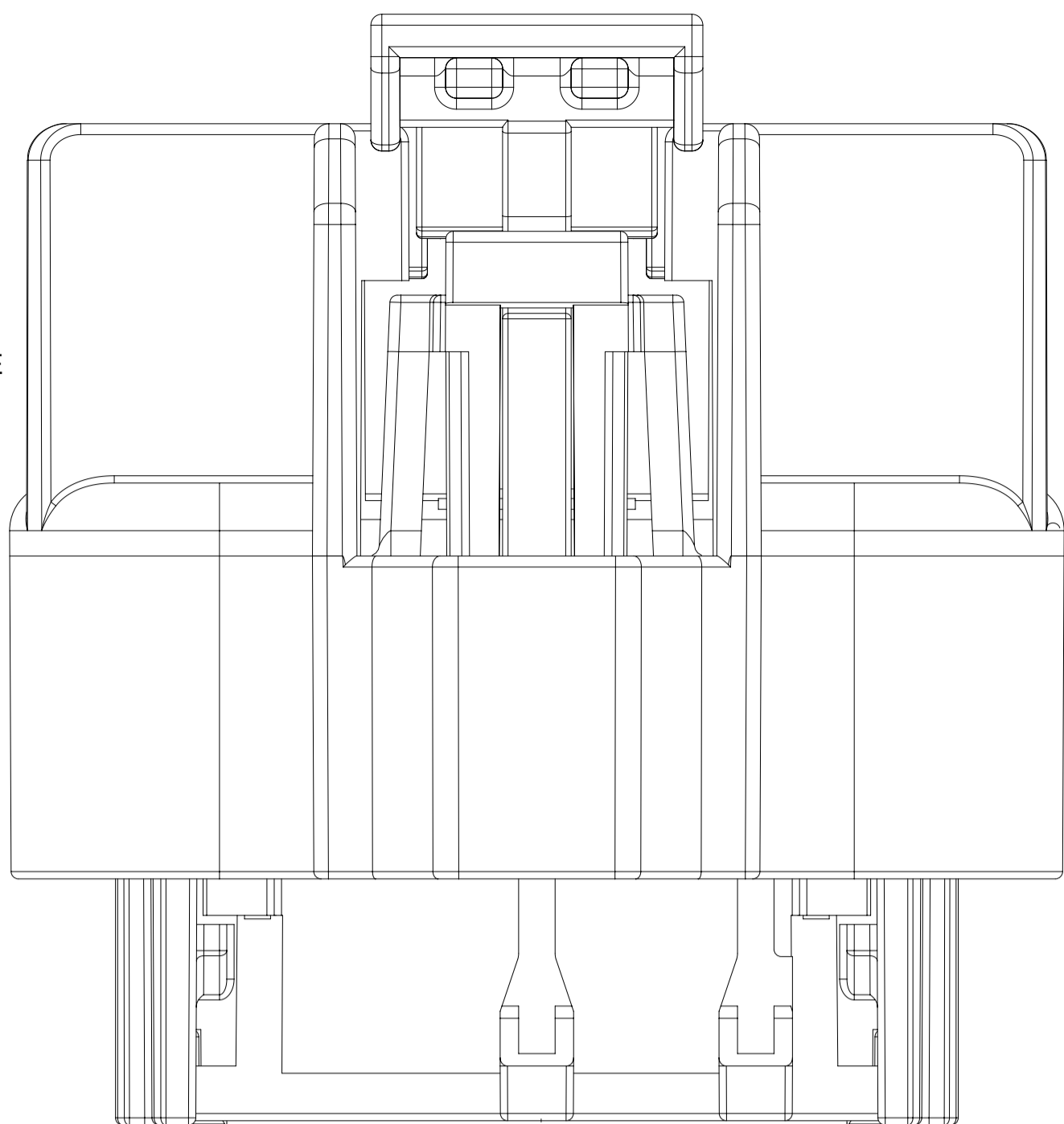
EC NO: 170593 DRWN: JURUTTER CHKD: APPR: JCONDON	2018/01/10	GENERAL TOLERANCES (UNLESS SPECIFIED)	DIMENSION UNITS	SCALE		
	2018/01/12		mm	1:1		
E1	REV	ANGULAR TOL ± 0.3 °	DRWN BY	DATE		MINI50 SEALED 1X10 RCPT ASSY
		4 PLACES ±	MNS02	2016/04/26		
		3 PLACES ±	CHK'D BY	DATE	PRODUCT CUSTOMER DRAWING	
		2 PLACES ± 0.1	JALEXANDER	2016/05/19		
1 PLACE ± 0.2	DRAWING SIZE	THIRD ANGLE PROJECTION	SERIES	MATERIAL NUMBER	CUSTOMER	
0 PLACES ±	DRAFT WHERE APPLICABLE MUST REMAIN WITHIN DIMENSIONS		A1	34967		
RELEASE STATUS		P1	RELEASE DATE	12.01.2018	21:22:03	
DOCUMENT NUMBER		349671000		DOC TYPE	PSD	
DOC PART		000		SHEET NUMBER	2 OF 3	

SHEET DESCRIPTION

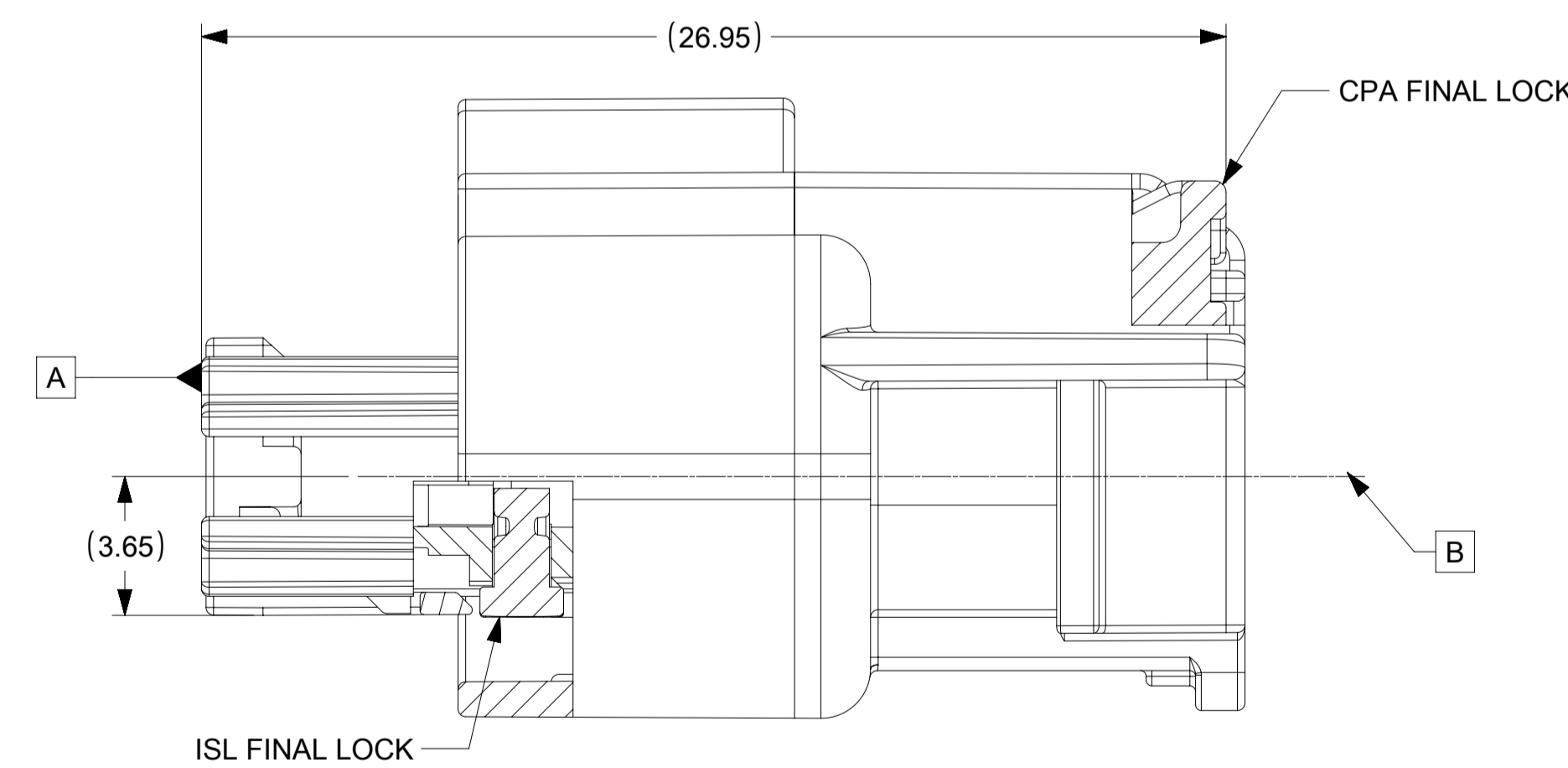
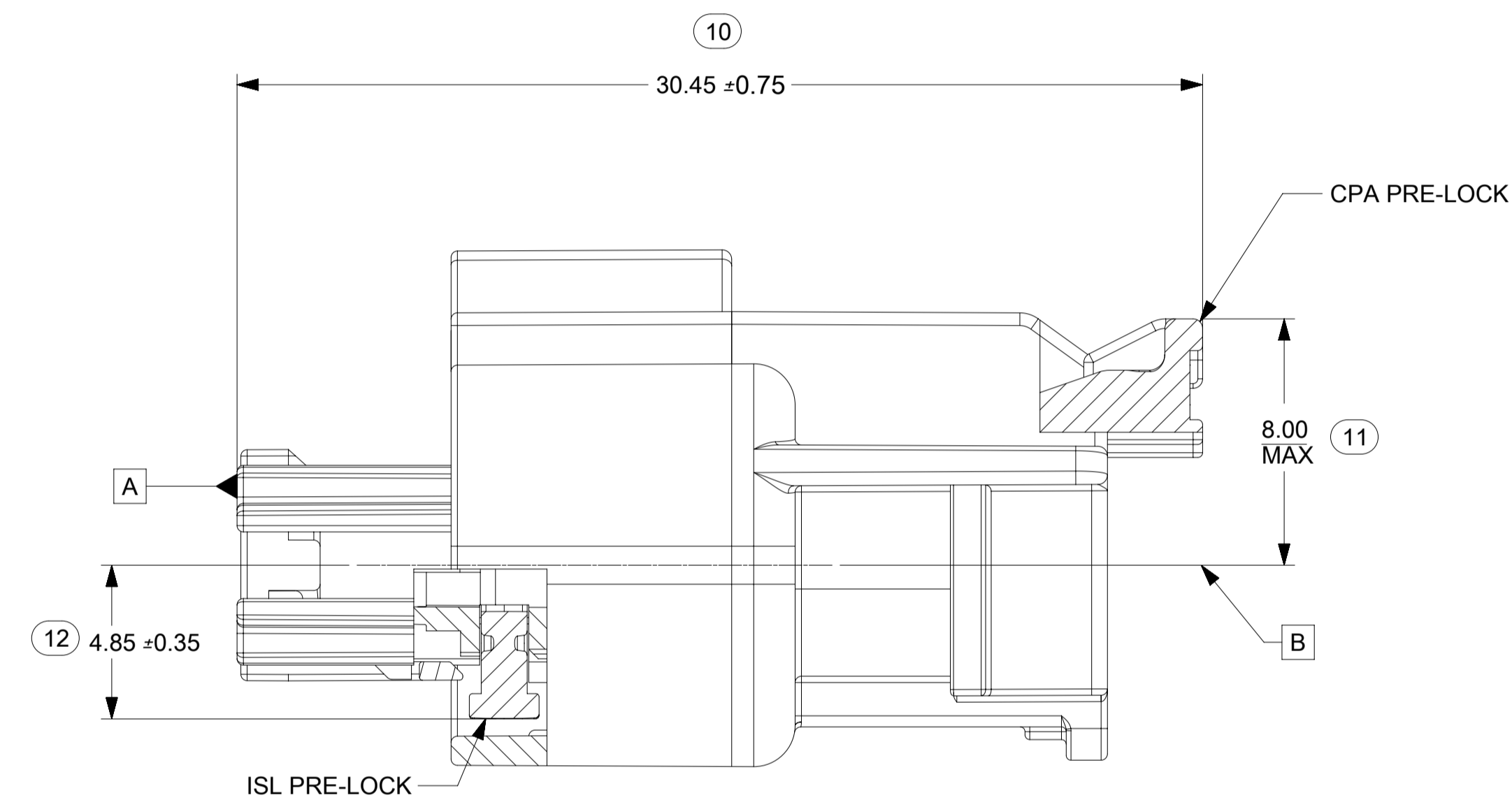
RECEPTACLE CONNECTOR ASSEMBLY



①
Ø29.44
MIN PASS-THRU
WITH NO CLEARANCE



LASER MARKING:
PART # & DATE CODE
SEE NOTE 3g.



THIS DRAWING CONTAINS INFORMATION THAT IS PROPRIETARY TO MOLEX ELECTRONIC TECHNOLOGIES, LLC AND SHOULD NOT BE USED WITHOUT WRITTEN PERMISSION

EC NO: 170593 DRWN: JURUTTER CHKD: REV APPR: JCONDON	2018/01/10	GENERAL TOLERANCES (UNLESS SPECIFIED)	DIMENSION UNITS	SCALE		
	2018/01/12		mm	1:1		
			ANGULAR TOL ± 0.3 °	DRWN BY		DATE
			4 PLACES ±	MNS02		2016/04/26
			3 PLACES ±	CHK'D BY		DATE
	2 PLACES ± 0.1	APPR BY	DATE	SERIES: 34967 MATERIAL NUMBER: SEE CHART CUSTOMER:		
	1 PLACE ± 0.2	JALEXANDER	2016/05/19			
	0 PLACES ±	DRAWING SIZE	THIRD ANGLE PROJECTION			
	DRAFT WHERE APPLICABLE MUST REMAIN WITHIN DIMENSIONS	A1			PRODUCT CUSTOMER DRAWING DOCUMENT NUMBER: 349671000 DOC TYPE: PSD DOC PART: 000 SHEET NUMBER: 3 OF 3	