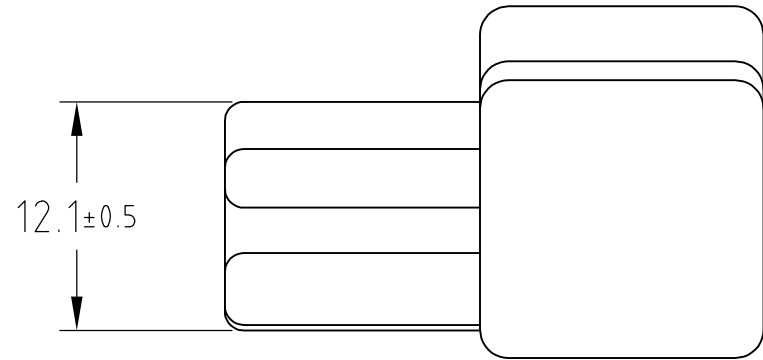
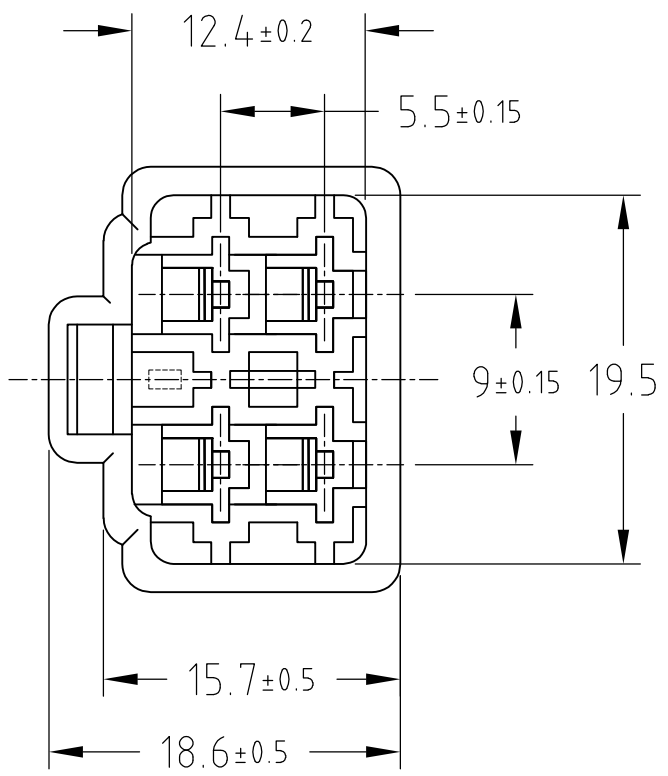
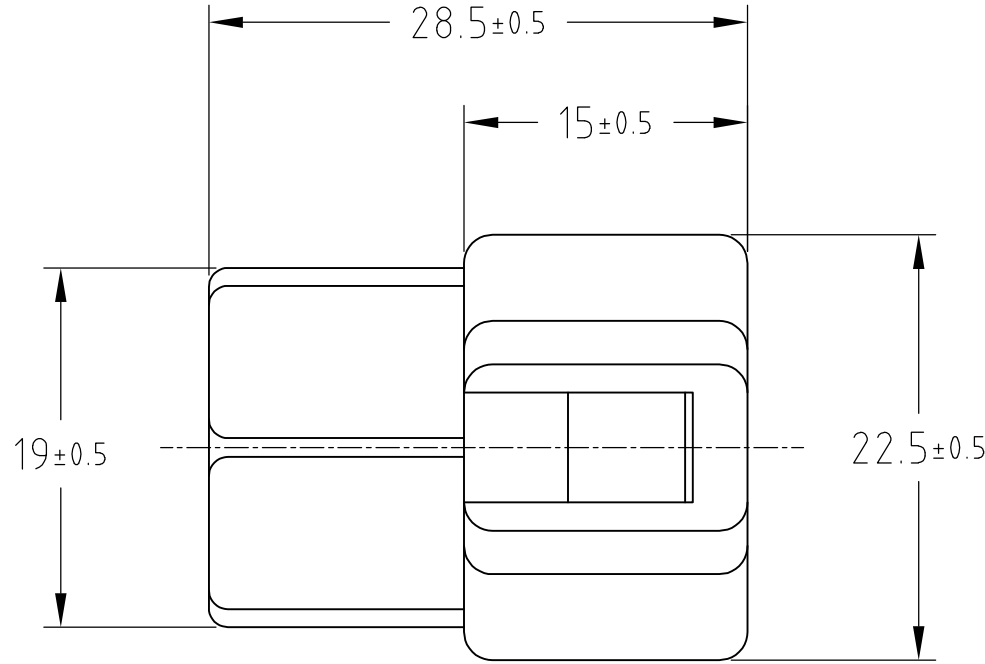
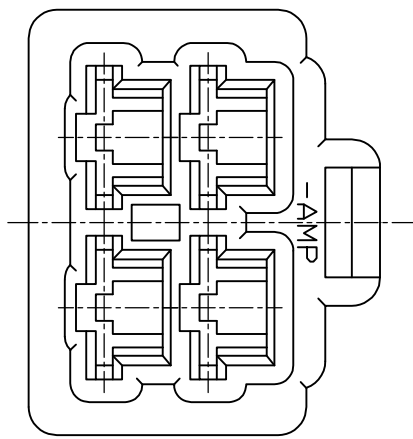


THIS DRAWING IS UNPUBLISHED. RELEASED FOR PUBLICATION
 © COPYRIGHT - By - ALL RIGHTS RESERVED.

LOC	DIST	REVISIONS					
J	-	P	LTR	DESCRIPTION	DATE	DWN	APVD
		F1		REVISED PER ECO-11-005030	11MAR11	RK	HMR



赤 RED	172133-9
黄色 YELLOW	172133-7
青 BLUE	172133-5
緑 GREEN	172133-4
黒 BLACK	172133-2
自然色 NATURAL	172133-1
色 COLOR	型番 P/N

注記
 1. かん合相手ハウジングは型番172134
 2. 使用端子は型番170340,170341,170349

NOTE
 1. THE MATING PLUG HOUSING : P/N172134
 2. APPLIED CONTACT : P/N 170340,170341,170349

THIS DRAWING IS A CONTROLLED DOCUMENT.		DWN J.SATO 17JAN2008	TE Connectivity		
DIMENSIONS: 単位: 耗 mm		CHK S.MANABE 04JAN2008			
TOLERANCES UNLESS OTHERWISE SPECIFIED: 一般公差		APVD S.MANABE 04JAN2008	NAME 名称 250 SERIES HOUSING LANCE CONNECTOR 4POS CAP HOUSING		
		PRODUCT SPEC 製品規格 108-5147	SIZE	CAGE CODE	DRAWING NO 番号 A3 00779 C-172133
MATERIAL 材料 6/6 NYLON		ANGLES 仕上 ±3°	RESTRICTED TO		—
FINISH 仕上		WEIGHT	SCALE 尺度 NONE		SHEET 1 OF 1
CUSTOMER DRAWING		REV F1			