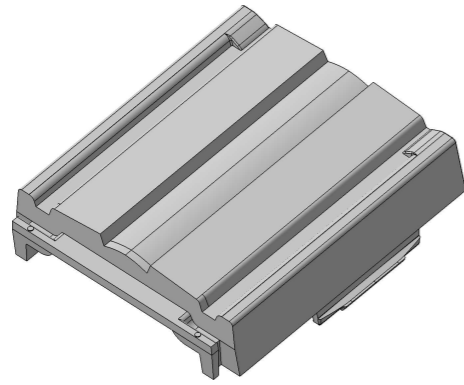
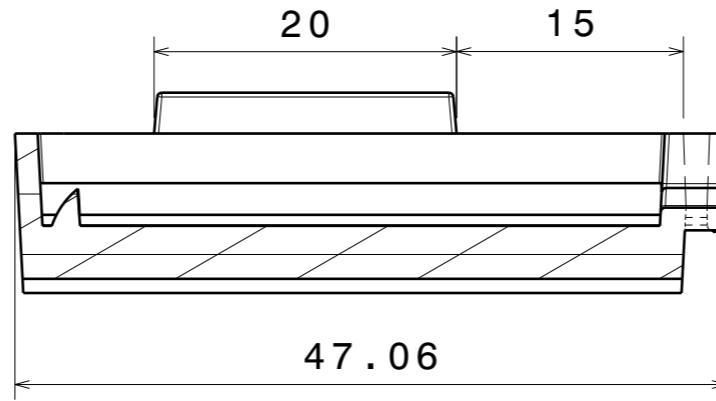


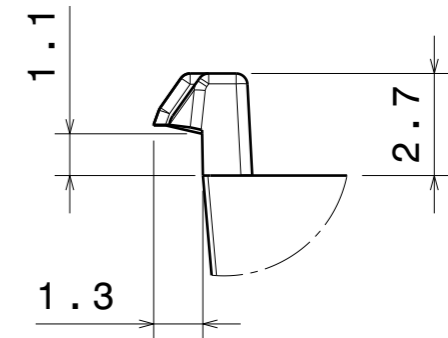
H G F E D C B A



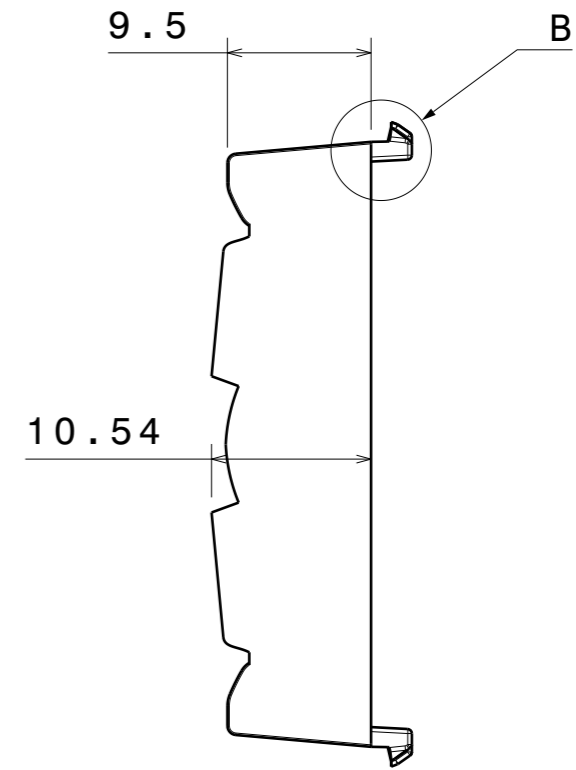
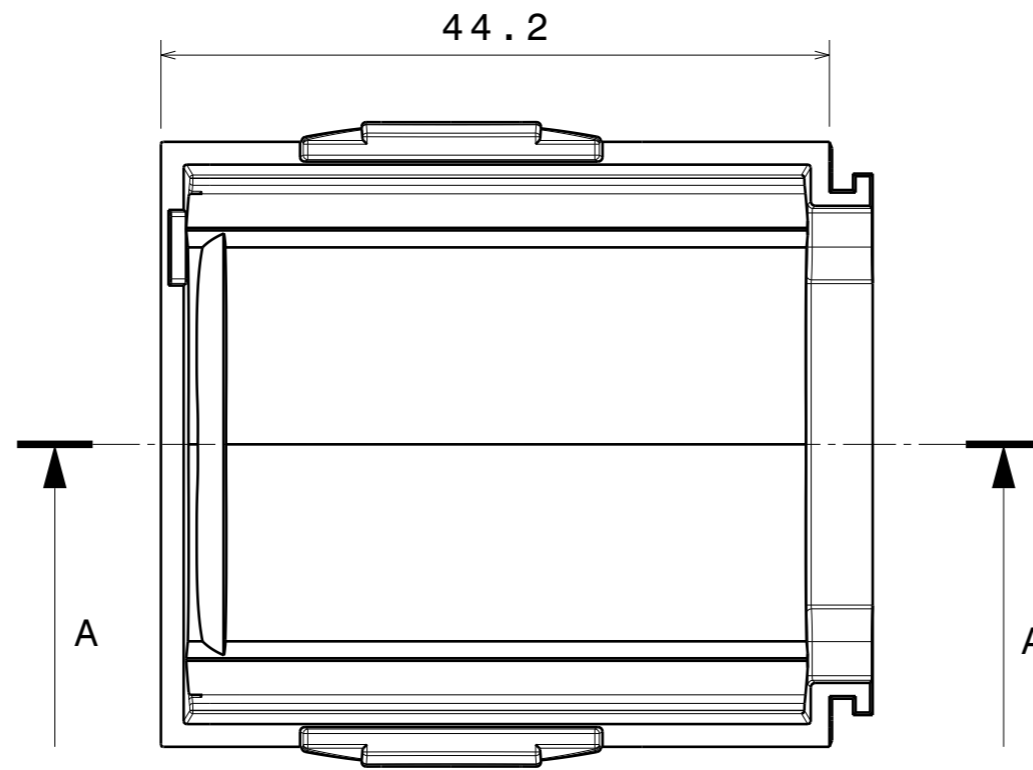
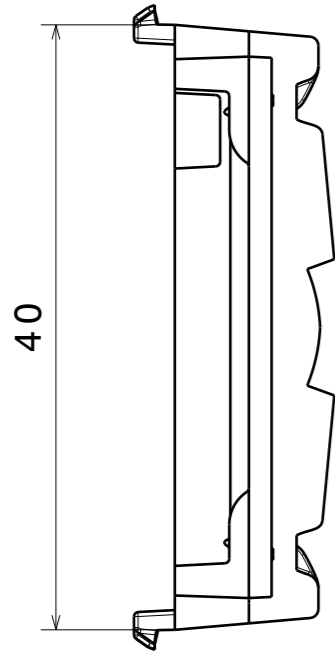
Isometric view
Scale: 1:1



Section view A-A
Scale: 2:1



Detail B
Scale: 5:1



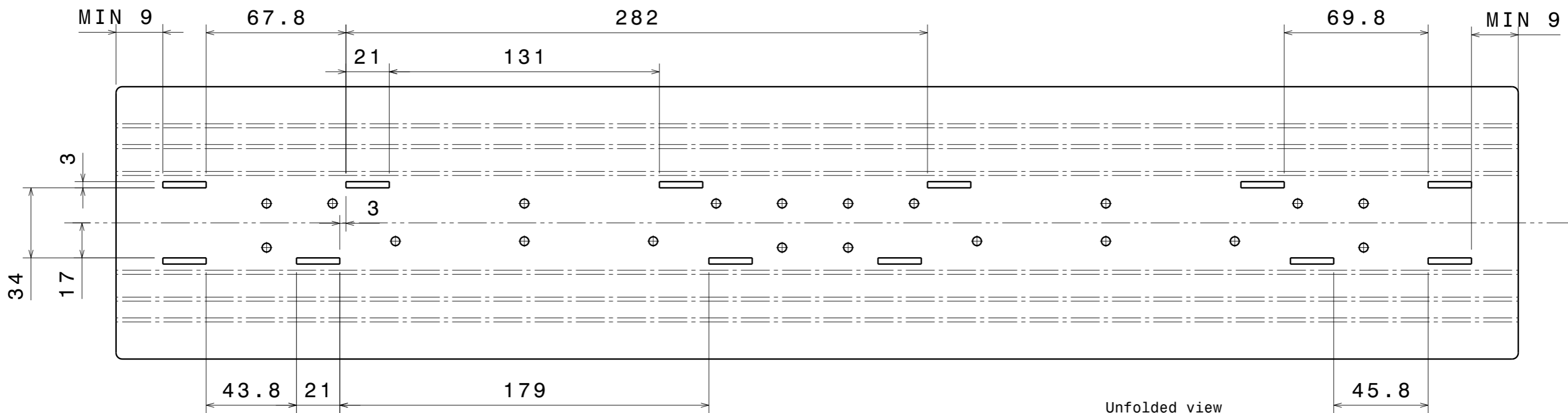
PART	TYPE	MATERIAL	COLOR / COATING
F16315		PC	clear

MECHANICAL DRAWING		LEDiL®
PRODUCT	F16315_LINNEA-0-END-FL	
Plastic moulding general tolerances according to DIN 16901-130 and applies if not otherwise shown in the drawing. Silicone moulding general tolerances according to ISO 3302-1 Class M3 and applies if not otherwise shown in the drawing.	FIRST ANGLE PROJECTION: 	This drawing is the property of LEDiL Oy. It may not be copied or otherwise distributed without prior written permission from LEDiL Oy.
SCALE 2:1	WEIGHT 7,7 g	A3 SHEET 1/2

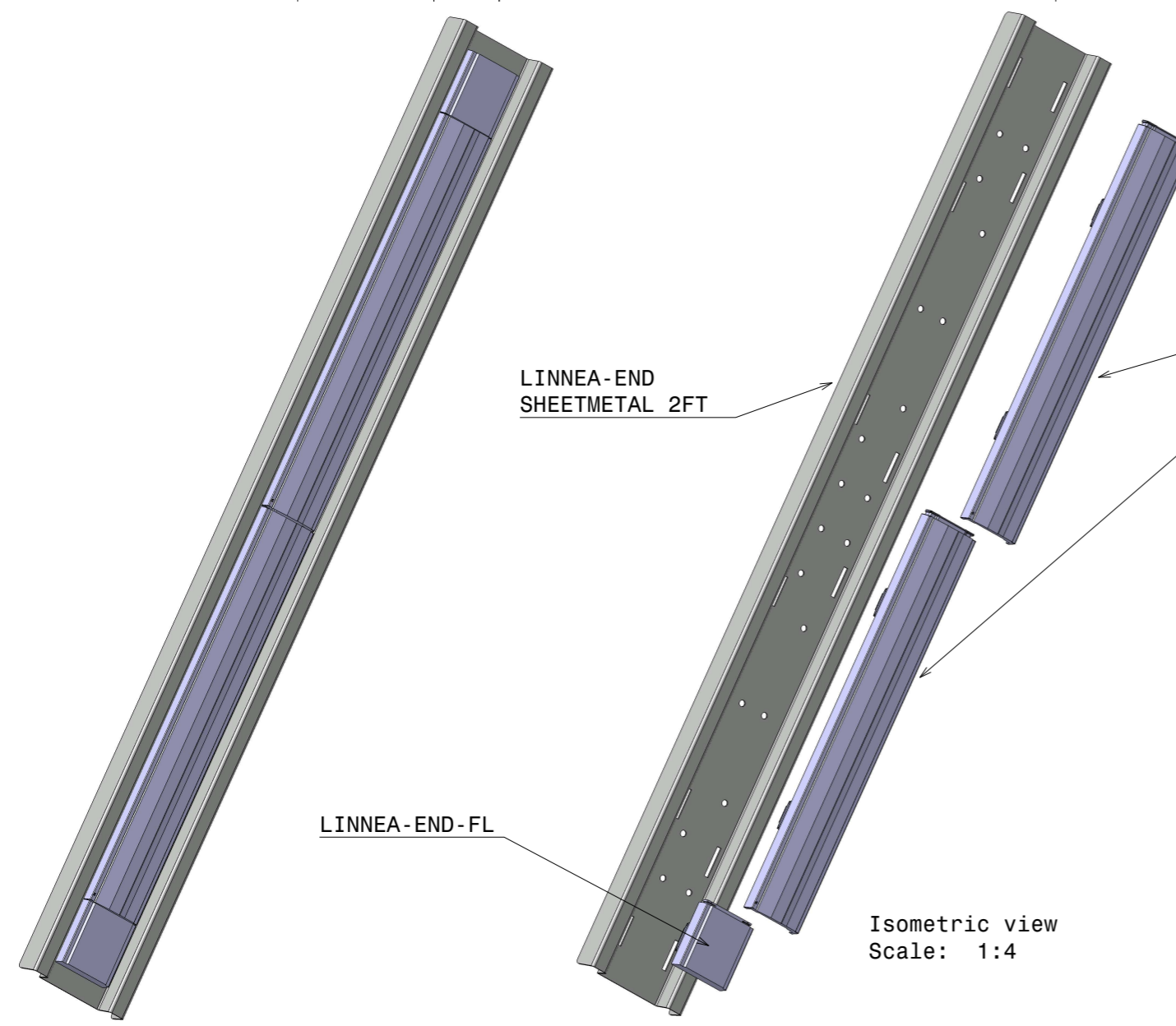
Notes

- PCB or heatsink level.
- LED location
- Ensure LED fitting from a product specific 3D model available from www.ledil.com
- For more details about installation please see LEDiL Installation Guide on www.ledil.com

@ A B A



Unfolded view
Scale: 1:2



LINNEA-END-ML

LINNEA

LINNEA-END SHEETMETAL 2FT

LINNEA-END-FL

Isometric view
Scale: 1:4

COMPONENTS

INDEX	PART	TYPE	MATERIAL	COLOR / COATING
1	LINNEA-END SHEETMETAL 2FT			
2	LINNEA		PC	clear
3	LINNEA-END-FL		PC	clear
4	LINNEA-END-ML		PC	clear

MECHANICAL DRAWING

PRODUCT
LINNEA-END SHEETMETAL CUT OUT

Tolerances if not otherwise shown
According to DIN ISO 2768-1
Linear measures: Up to 30mm
class M, otherwise class C.
According to DIN ISO 2768-2
Form and position: class L

FIRST ANGLE PROJECTION:

SCALE 1:2 WEIGHT -

LEDiL®

This drawing is the property of LEDiL Oy. It may not be reproduced, copied or communicated without a written agreement with LEDiL Oy.

A3 SHEET 2/2