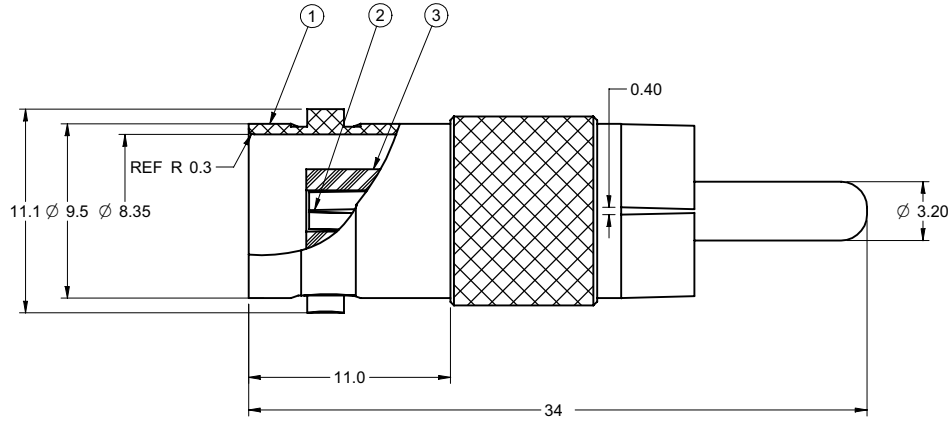
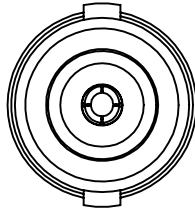


PART NUMBER	ITEM ① BODY	ITEM ② CONTACT	ITEM ③ INSULATOR
27-8110	ZINC NICKEL PLATED	BERYLLIUM Ni/Au PLATED	DELRIN

受控 CONTROLLED DOCUMENT

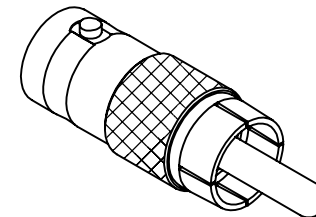
编号 P/N	27-8110	版本 Rev	01	日期 Rel'd Date	May8,09
-----------	---------	-----------	----	------------------	---------

DRAWING NO. 27-8110	
REVISIONS	
01	OFFICIAL RELEASE
04-13-09	G Y T Z U I
Thomas Chow 2009.05.07 09:23:29 +08'00'	



NOTES:

1. BNC END TECHNICAL DETAIL: REFER TO EMERSON DOCUMENT P/N 27-0000



THIS DRAWING TO BE INTERPRETED
PER ANSI Y 14.5M - 1994

COMPANY CONFIDENTIAL

TOLERANCE UNLESS OTHERWISE SPECIFIED		DRAWN BY GARY.ZHG	DATE 04-13-09
DECIMALS	mm	CHECKED BY BETTY.YU	DATE 04-13-09
X	± 0.5	APPROVED BY THOMAS	DATE 04-13-09
X.X	± 0.2		
X.XX	± 0.1		
ANGLES	± 0.5°	U/M	mm

EMERSON Network Power		Connectivity Solutions	
TITLE ADAPTER,BNC JACK TO RCA JACK			
SHEET 1 OF 1	DRAWING NO. 27-8110	SIZE C	

THIS DRAWING WAS PRODUCED BY COMPUTER,
DO NOT SCALE DRAWING OR UPDATE MANUALLY.