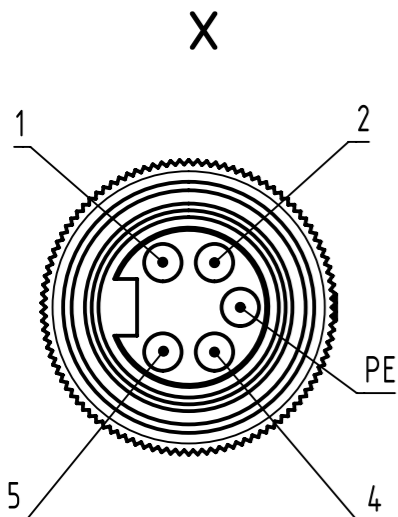
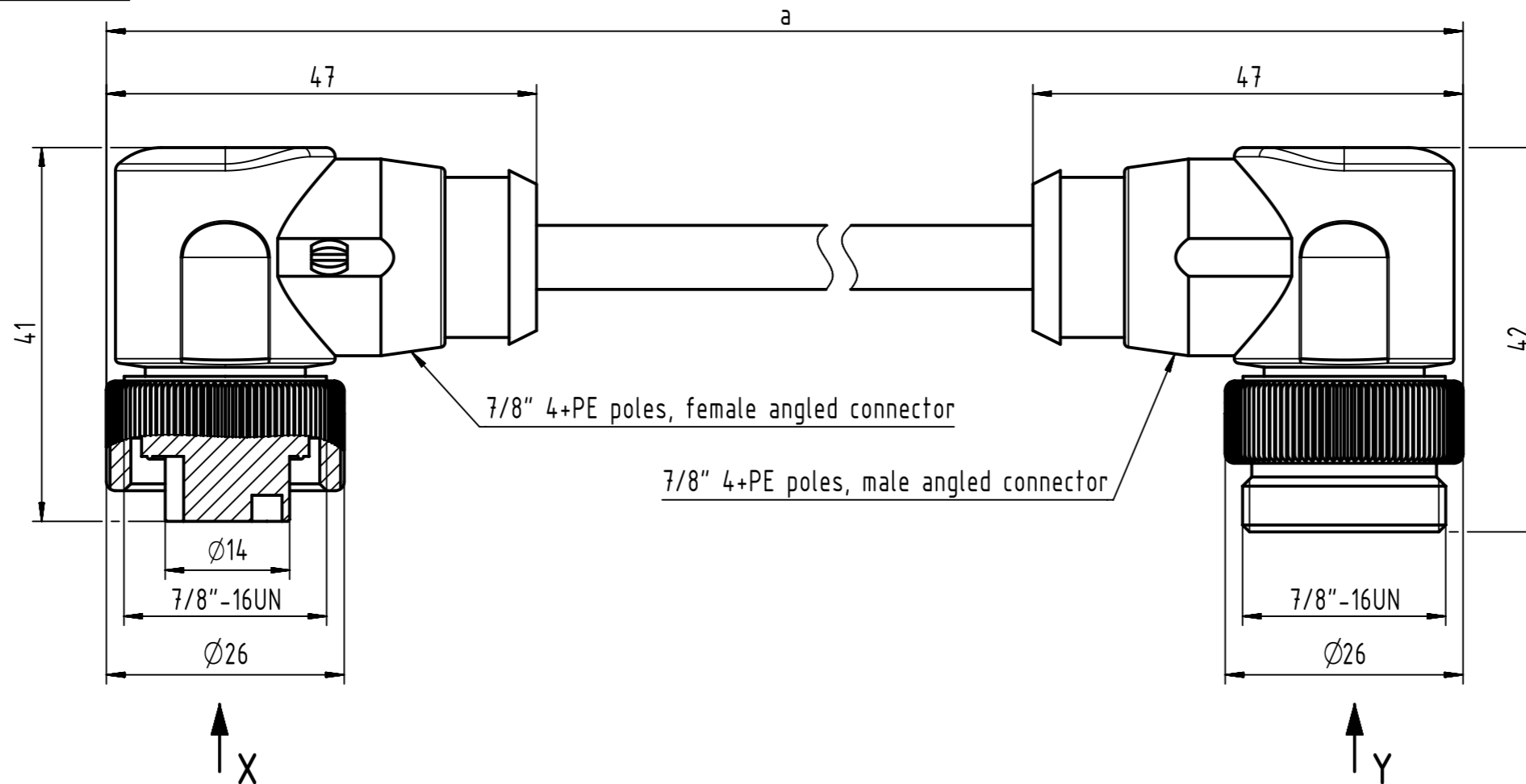


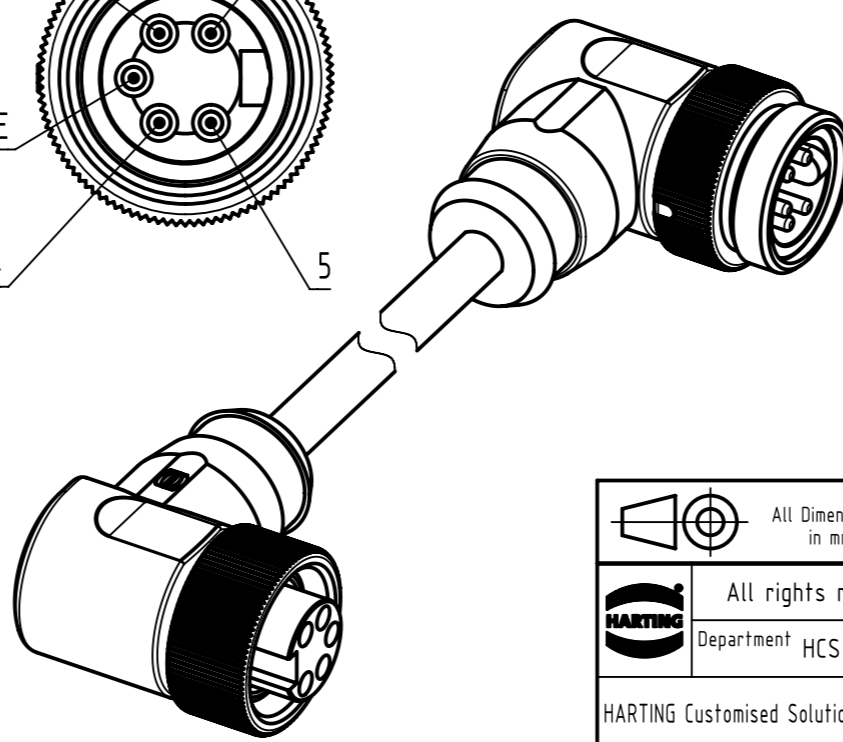
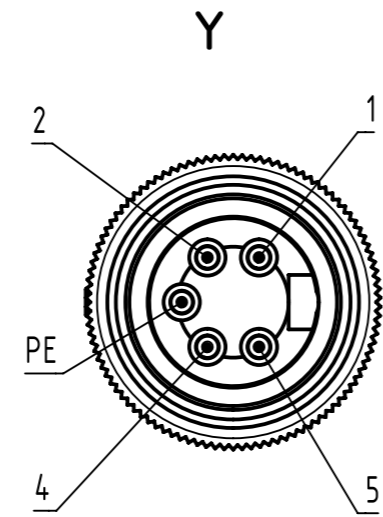
Connector Location A

Connector Location B



Loading-Plan:

1	black	1
2	blue	2
PE	green-yellow	PE
4	brown	4
5	white	5



- Protection level: IP 65/67
 - Temperature range: -25°C ... +80°C

length in "1m" step	100	XXX=000
	99	XXX=990
	.	.
	12	XXX=120
	11	XXX=110
length in "0.1m" step	10	XXX=100
	9.9	XXX=099
	9.8	XXX=098
	.	.
	0.4	XXX=004
	0.3	XXX=003
	0.2	XXX=002
	0.1	XXX=001
Step	a [m]	XXX

4.0 to 100	+1%
0.1 to 3.9	+0.04
a [m]	Tolerance

Part no.	213498995XXXXXX
----------	-----------------

Type of cable	XX
PVC grey, 5x1.5mm ²	XX=97
PUR black, 5x1.5mm ²	XX=98

All rights reserved Department HCS - RO HARTING Customised Solutions D-32427 Minden		Created by MUNTEANV Title 7/8" Cable Assembly Type TB	Inspected by POPESCUD Standardisation AVRAM Date 2016-10-18 State Final Release Number 213498995XXXXXX	Tech. Character. Free size tol. According to production drawing 2016-09-07 Doc-Key / ECM-Nr. 100581049/UGD/009/B 500000110271 Rev. B Page 1/1
--	--	--	---	---