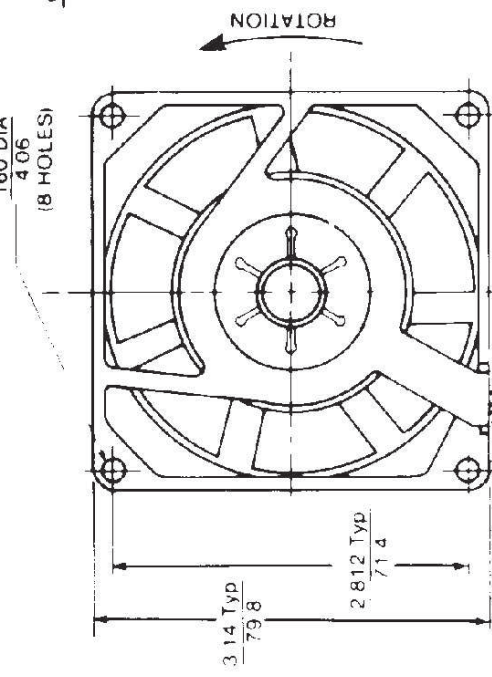


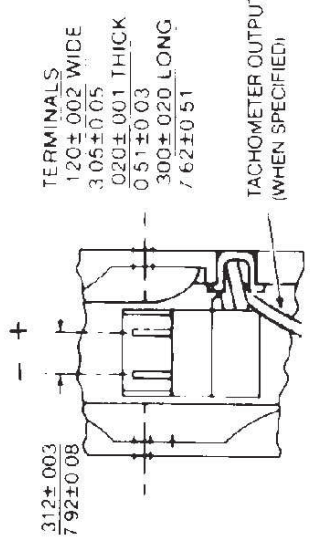
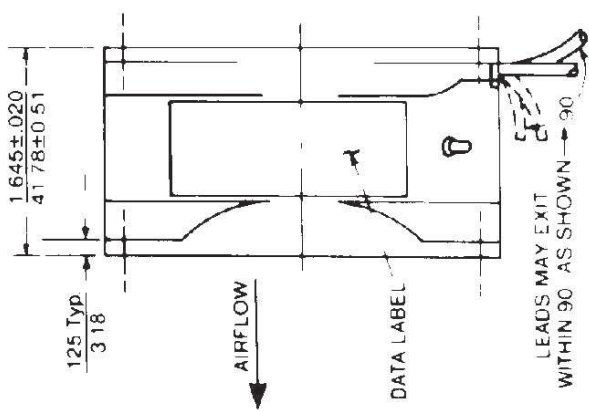
INLET OR
OUTLET CUT OUT



RED WIRE +
BLACK WIRE -
12.00 ± 1.00
308.4 ± 25.4

LEAD WIRES
22 AWG. UL STYLE 1061
TACHOMETER OUTPUT WIRE (WHEN
SPECIFIED) IS BLUE W/WHITE TRACER (SEE PAGE 60 FOR DETAILS)
LENGTH 15.00 ± 1.0
308.4 ± 25.4

50 ± 0.8
12.7 ± 2.3



TACHOMETER
OUTPUT WAVE FORM

*AMPLITUDES UP TO NOMINAL
OPERATING VOLTAGE OR
OPEN COLLECTOR AVAILABLE
CONSULT APPLICATION
ENGINEERING

CAUTION
1) ON ALL TACHOMETER MODELS, THE
THIRD WIRE MUST NOT BE APPLIED
TO EITHER + or - POWER LEADS
2) THIRD WIRE SENSOR'S GROUND
REFERENCE MUST BE THE SAME
AS THE FANS.

DIMENSIONS	in	±
	mm	
TOLERANCES	xx =	0.3 / 0.8
	xxx =	0.10
	(UNLESS NOTED)	.25

Specifications subject to change without notice