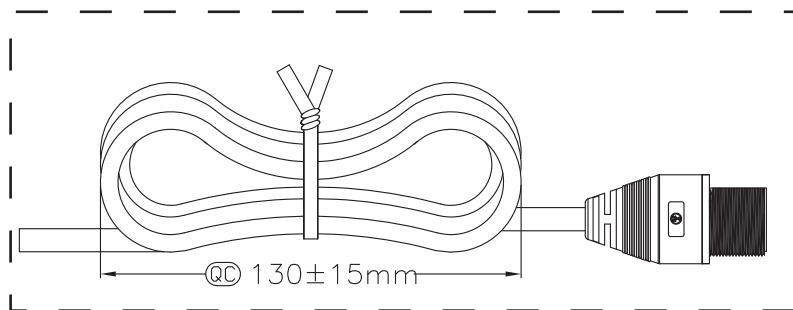
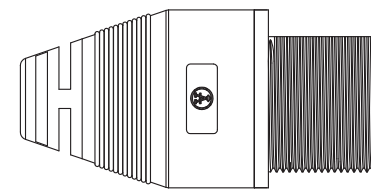


Pin Assignments  
Front View

Pin Out

Wire Color	Conn.
Black	4
Green	3
White	2
Red	1
Drain	Shield

Twist



Note:

- IP67 waterproof rated
- Connector: Black, ABS
- USB: USB-B Female solder
- Cable: USB2.0 28AWG\*1P+24AWG\*2C+AL+D+B  
UV Resistant, Black, OD=5.0mm

Unit: mm



Scale	Free				Date	Name
TOLERANCE					Drawn	07.11.11 Chappell
X.X	±0.25				Approved	
X.XX	±0.1					
X.XXX	±0.05					
DIM	TOL					
X.°	±1°					
X.X°	±X°	①	Revised part number/information	11.07.13		
Angle	TOL	Id.	Modification	Date	Name	

Title	
Waterproof USB2.0 cable assembly B type, Female to Open End, 1 Meter	
ASSMANN WSW-No.	
A-KAB-USBB-FS-1M	
Drawing-No.	rev01
Replace	Sheet 1/1

