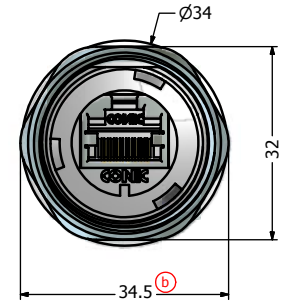
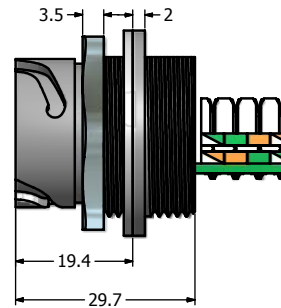
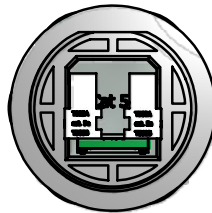
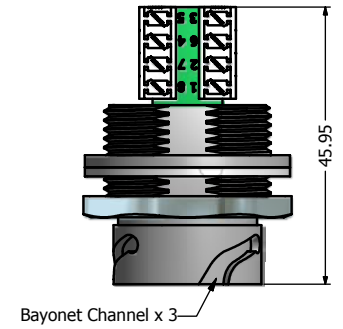


Shielded Cat.5e RJ45 IDC Jack accepts both Solid and Stranded AWG 24 to 26 Wires



**Notes:**

- Electrical Specifications:
  - Meets EIA/TIA-568-B.2 Cat.5e Specification
  - Contact Resistance: 20mOhm max.
  - Insulation Resistance: 500MOhm min. @ 100 VDC
  - Current Rating: 1.2A max. at 25° C
  - Working Voltage: 100 VDC
  - DWV: 1000 VDC/60s Contact to Contact, 1500 VDC/60s Contact to Metal Shell
  - Operating Temperature: -40° C to +85° C
- Material and Finish:
  - Receptacle Housing: Metallized ABS (Nickel Plated); UL94 V-0
  - Cover Coupling Ring: Metallized ABS (Nickel Plated); UL94 V-0
  - Panel Nut: Brass, Finish: Nickel Plated
  - Panel Gasket: Silicon, Color: White
  - Cover Gasket: Silicon, Color: White
  - Tether: Polycarbonate, Color: Black
  - Cat.5e RJ45 IDC Jack Metal Shell: Copper Alloy, Nickel Plated
  - Cat.5e RJ45 IDC Jack Plastic Housing: Glass filled PBT UL94 V-0, Color: Black
  - Cat.5e RJ45 IDC Jack Contacts: Phosphor Bronze, Finish: 50u" Gold min. over Nickel
- Connector can be front or rear mounted to a maximum panel thickness of 3.2mm.
- IP67 rated when covered or fully mated with the appropriate mating connector
- RoHS compliant

Directive 2002/95/EC RoHS Compliant

THIS DRAWING MAY NOT BE COPIED, OR REPRODUCED IN ANY WAY AND MAY NOT BE PASSED ON TO A THIRD PARTY WITHOUT WRITTEN PERMISSION. OWNERSHIP AND COPYRIGHT OF CONEC CORPORATION DOT NOT ALTER CAD DRAWING BY HAND	Customer:			Tolerance Unless otherwise specified			Scale: 1:2:1	Dim. in mm
	Name	Title	Approval Date	0 PLC ±0.50	1 PLC ±0.38		Autodesk Inventor	Material: See Notes
				2 PLC ±0.25	3 PLC ±0.10	2011 Date	File:	
				ANGLES ±3		Draw. Jan. 28 Vincent Ke	Receptacle & Cover Assembly Kit	
						Appd. Jan. 28 J. Chaudry	Metallized Plastic Receptacle Housing with Shielded Cat. 5e RJ45 IDC Jack	
					Norm	Drawing No.: 17K1A196	DIN A3	
					D-old	Part No.: 17-10022	Sheet 1/1	
	b	Mar/08/2011	Vincent Ke					
	a	original						
	Rev.	Changes	Date	Name				

