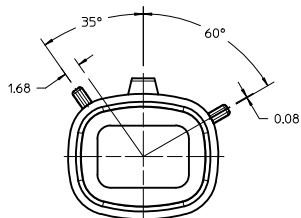
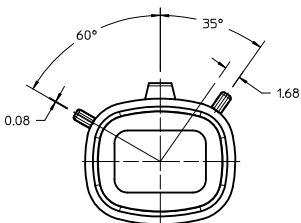


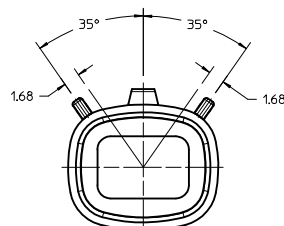
**KEYING OPTION "A"**  
SUGGESTED COLOR: BLACK



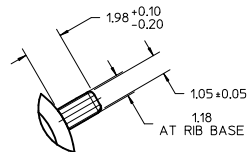
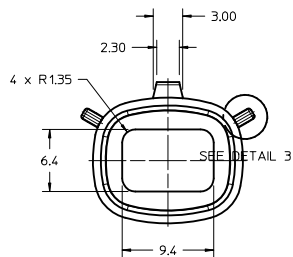
**KEYING OPTION "B"**  
SUGGESTED COLOR: GREY



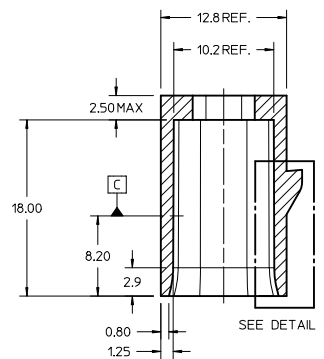
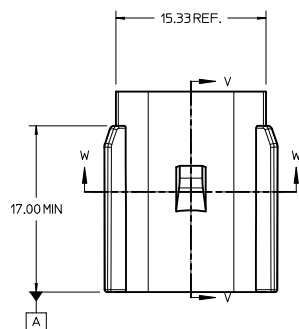
**KEYING OPTION "C"**  
SUGGESTED COLOR: BROWN



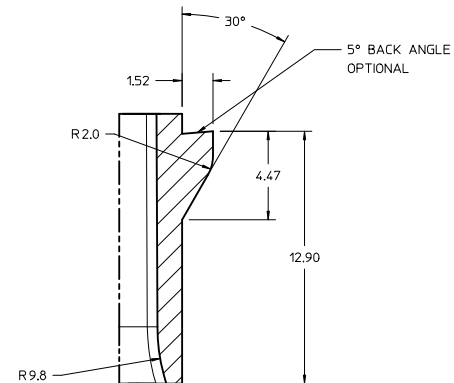
**KEYING OPTION "D"**  
SUGGESTED COLOR: GREEN



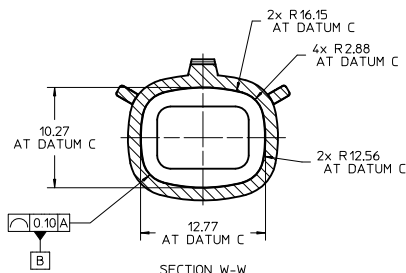
DETAIL 3  
SCALE 8:1



SECTION V-V



DETAIL 4  
SCALE 8:1



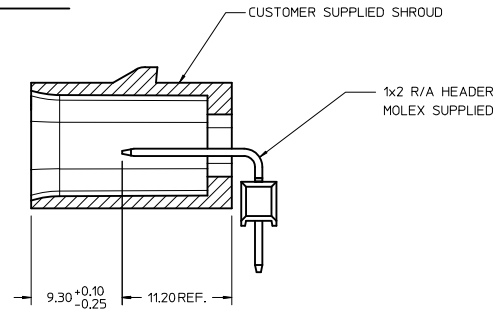
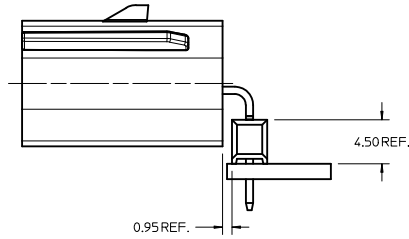
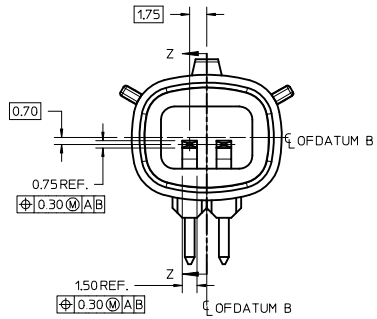
SECTION W-W

NOTES:

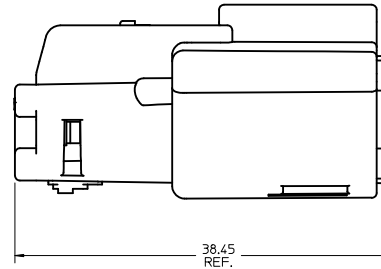
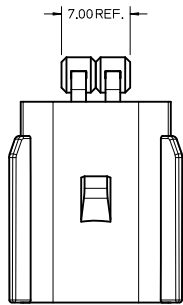
- REFER TO MOLEX SALES DRAWING SD-75900-002 FOR THE HEADER ASSEMBLY PRODUCT DETAILS AND RECOMMENDED PCB LAYOUT.
- KEYING OPTIONS A-D AND SUGGESTED COLORS COMPLY TO THE POLARIZATION STANDARDS ESTABLISHED FOR MATING WITH A MX150 FEMALE CONNECTOR.
- INTERIOR SHROUD SURFACE MUST BE FREE OF DEFECTS AND PARTING LINES ALL AROUND TO ENSURE PROPER SEALING OF THE MATING MX150 FEMALE CONNECTOR.
- A FULL SHROUD ON THE MATING CONNECTOR IS REQUIRED TO INSURE THE HEADER SHROUD POLARIZATION FEATURES (OPTIONS A-D) WILL FUNCTION PROPERLY. THE FULL SHROUD ALSO PREVENTS SCOOP DAMAGE TO THE HEADER CONTACTS.
- PERMISSIBLE DRAFT ANGLE 0.25° MAXIMUM.
- RADI ON ALL CORNERS SHOWN SHARP OR ALL UNSPECIFIED RADI 0.25 EXCEPT AS NOTED.
- DIMENSIONS SHOWN ABOUT A CENTERLINE ARE SYMMETRICAL ABOUT THAT CENTERLINE WITHIN HALF THE SPECIFIED TOLERANCE.

|   |                                      |   |   |   |                        |  |                        |                  |  |
|---|--------------------------------------|---|---|---|------------------------|--|------------------------|------------------|--|
| <b>INITIAL RELEASE</b><br>EC NO: UCF2011-3372<br>DRAWN BY: DROSCA<br>CHYD: JCOMERCI<br>APPR: JCOMERCI<br>2011/05/04<br>2011/06/17<br>2011/06/17 | <b>QUALITY SYMBOLS</b><br>▽=0<br>▽=0 | <b>GENERAL TOLERANCES (UNLESS SPECIFIED)</b>  |   | <b>DIMENSION STYLE</b><br>MM ONLY         | <b>SCALE</b><br>4:1    | <b>DESIGN UNITS</b><br>METRIC  | THIRD ANGLE PROJECTION |                  |  |
|   |                                      | 4 PLACES ± --- ± ---<br>3 PLACES ± --- ± ---<br>2 PLACES ± 0.13 ± ---<br>1 PLACE ± 0.25 ± ---                                 | mm<br>INCH  | DRAWN BY: DROSCA<br>DATE: 2011/05/04      | CHECKED BY: DATE:      | <b>APPLICATION SPEC</b><br><b>1X2 MX150 R/A HEADER</b><br><b>SHROUD DETAIL</b> |                        |                  |  |
|   |                                      | ANGULAR ±1/2°   | DRAFT WHERE APPLICABLE<br>MUST REMAIN WITHIN DIMENSIONS | APPROVED BY: JCOMERCI<br>DATE: 2011/06/17 | MATERIAL NO: 759001020 | DOCUMENT NO: AS-75900-102  | MOLEX INCORPORATED     | SHEET NO: 1 OF 2 |  |
|   |                                      | THIS DRAWING CONTAINS INFORMATION THAT IS PROPRIETARY TO MOLEX INCORPORATED AND SHOULD NOT BE USED WITHOUT WRITTEN PERMISSION |   |   |                        |  |                        |                  |  |

# HEADER APPLICATION DETAILS



SECTION Z-Z

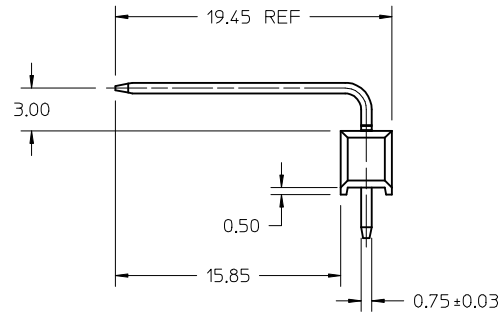
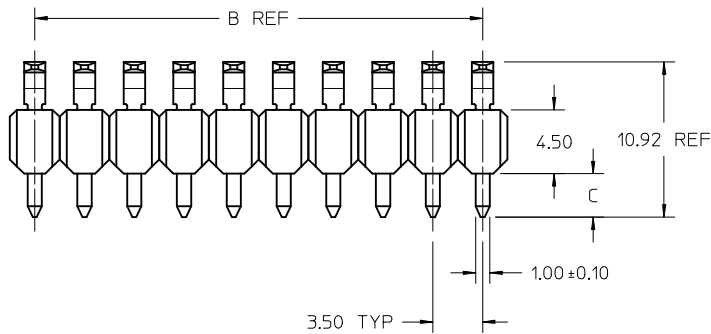
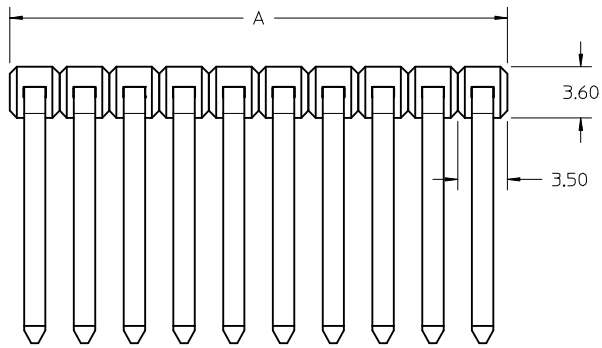


CONNECTOR ASSEMBLY

**NOTES:**

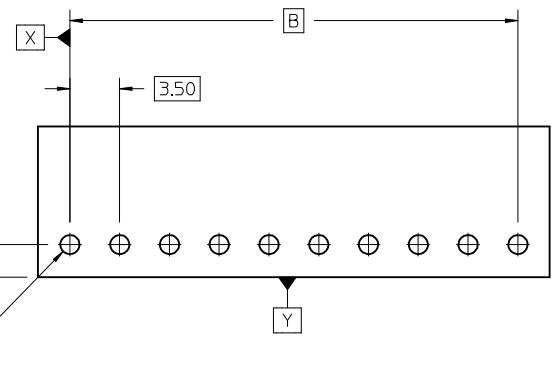
- ADHERENCE TO THE HEADER APPLICATION DETAILS IS IMPERATIVE TO ENSURE PROPER SHROUD SEALING AND CONTACT ALIGNMENT WHEN MATED WITH A MX150 FEMALE CONNECTOR.

|  |                                      |   |  |                                   |                     |   |                        |  |  |
|--|--------------------------------------|---|--|-----------------------------------|---------------------|---|------------------------|--|--|
| <b>SEE SHT 1</b><br>IEC NO.: UCP2011-3372<br>DRAWN BY: DROSICA 2011/05/04<br>CHECKED BY: JCOMERCI 2011/06/17<br>APPR.: JCOMERCI 2011/06/17 | <b>QUALITY SYMBOLS</b><br>▽=0<br>▽=0 | <b>GENERAL TOLERANCES (UNLESS SPECIFIED)</b>                            |  | DIMENSION STYLE<br><b>MM ONLY</b> | SCALE<br><b>4:1</b> | DESIGN UNITS<br><b>METRIC</b>   | THIRD ANGLE PROJECTION |  |  |
|  |                                      | 4 PLACES ± 0.13<br>3 PLACES ± 0.25<br>2 PLACES ± 0.50<br>1 PLACE ± 1.00 | mm<br>INCH   | DRAWN BY<br>DROSICA               | DATE<br>2011/05/04  | TITLE<br><b>APPLICATION SPEC<br/>                 1X2 MX150 R/A HEADER<br/>                 SHROUD DETAIL</b>                 |                        |  |  |
|  |                                      | ANGULAR ± 1/2°  | DRAFT WHERE APPLICABLE<br>MUST REMAIN<br>WITHIN DIMENSIONS | APPROVED BY<br>JCOMERCI           | DATE<br>2011/06/17  | MOLEX INCORPORATED  |                        |  |  |
|  |                                      | WATERL. NO.<br><b>SEE SHEET 1</b>                                       | DOCUMENT NO.<br><b>AS-75900-102</b>                        | SHEET NO.<br>2 OF 2               |                     | THIS DRAWING CONTAINS INFORMATION THAT IS PROPRIETARY TO MOLEX INCORPORATED AND SHOULD NOT BE USED WITHOUT WRITTEN PERMISSION |                        |  |  |



NOTES:

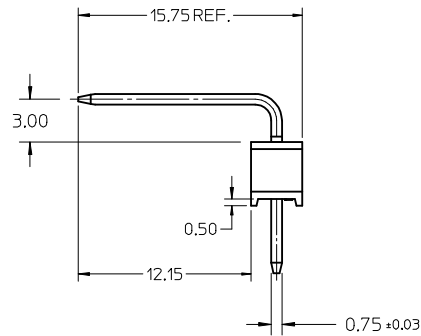
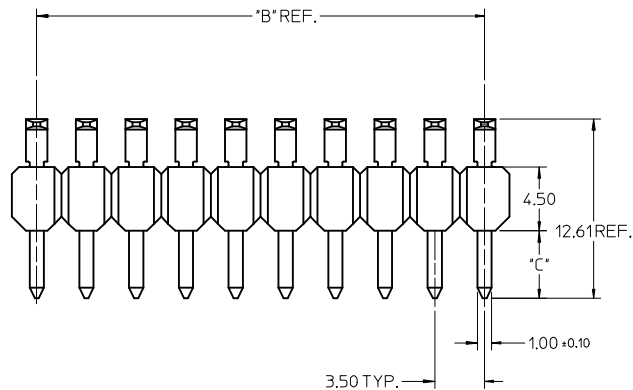
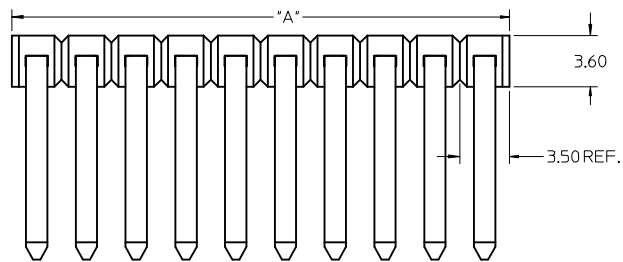
1. TERMINAL MAT'L: ALLOY C26000, CARTRIDGE BRASS
2. WAFER MAT'L: 30% GLASS FILLED LCP, 94V-0, COLOR BLACK.
3. TERMINAL PLATING:
  - OPTION 4 - 1.5µm MIN MATTE TIN OVERALL OVER 1.25µm NICKEL OVERALL
  - OPTION 1 - 2.5µm MIN MATTE TIN OVERALL OVER 1.25µm NICKEL OVERALL
  - OPTION 2 - 1.25µm NICKEL OVERALL 2.5µm MIN SELECT MATTE TIN PC TAIL AREA 0.05-0.25µm SELECT GOLD CONTACT AREA
  - OPTION 3 - 1.25µm NICKEL OVERALL 2.5µm MIN SELECT MATTE TIN PC TAIL AREA 0.75µm SELECT GOLD CONTACT AREA
4. HEADER ASSEMBLIES ARE TUBE PACKAGED PER PK-36518-352.



RECOMMENDED PCB LAYOUT

|          |                |                 |         |          |         |
|----------|----------------|-----------------|---------|----------|---------|
| 1 x 2    | 1              | 75900-3121      | 7.0     | 3.50 REF |         |
|          | 2              | 75900-3221      |         |          |         |
|          | 3              | 75900-3321      |         |          |         |
|          | 4              | 75900-3421      |         |          |         |
| 1 x 3    | 1              | 75900-3131      | 10.5    | 7.00     |         |
|          | 2              | 75900-3231      |         |          |         |
|          | 3              | 75900-3331      |         |          |         |
|          | 4              | 75900-3431      |         |          |         |
| 1 x 4    | 1              | 75900-3141      | 14.0    | 10.50    |         |
|          | 2              | 75900-3241      |         |          |         |
|          | 3              | 75900-3341      |         |          |         |
|          | 4              | 75900-3441      |         |          |         |
| 1 x 6    | 1              | 75900-3161      | 21.0    | 17.50    |         |
|          | 2              | 75900-3261      |         |          |         |
|          | 3              | 75900-3361      |         |          |         |
|          | 4              | 75900-3461      |         |          |         |
| 1 x 8    | 1              | 75900-3181      | 28.0    | 24.50    |         |
|          | 2              | 75900-3281      |         |          |         |
|          | 3              | 75900-3381      |         |          |         |
|          | 4              | 75900-3481      |         |          |         |
| 1 x 10   | 1              | 75900-3101      | 35.0    | 31.50    |         |
|          | 2              | 75900-3201      |         |          |         |
|          | 3              | 75900-3301      |         |          |         |
|          | 4              | 75900-3401      |         |          |         |
| CKT SIZE | PLATING OPTION | MATERIAL NUMBER | 'A' DIM | 'B' DIM  | 'C' DIM |

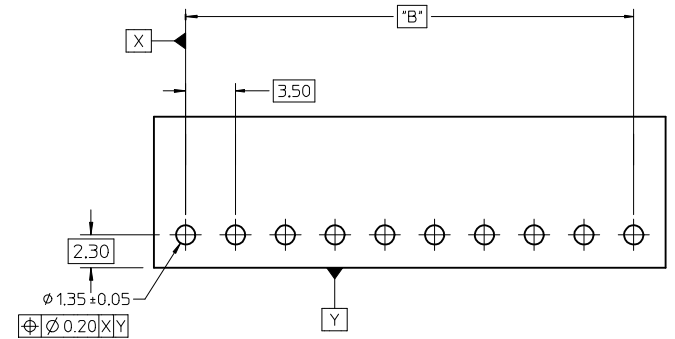
|  |                       |  |                     |   |  |                        |
|--|-----------------------|--|---------------------|---|--|------------------------|
| <b>PK SPEC UPDATED</b><br>EC NO: 12016-0115<br>DRWN: BR02 2016/05/16<br>CHKD: APPR: KPRASAD 2016/06/03<br>REV: | QUALITY SYMBOLS       | GENERAL TOLERANCES (UNLESS SPECIFIED)                | DIMENSION STYLE     | SCALE   | DESIGN UNITS   | THIRD ANGLE PROJECTION |
|  | ▽=0                   | mm INCH  | MM ONLY             | 4:1   | METRIC   | ☉                      |
|  | ▽=0                   | 4 PLACES ± --- ± ---                                 | DRAWN BY DATE       | TITLE   | <b>MX150 RIGHT ANGLE SINGLE ROW UNSHROUDED HEADER ASSY</b><br> |                        |
|  | ▽=0                   | 3 PLACES ± --- ± ---                                 | DROSCA 2011/08/31   | SD-75900-0001   |  |                        |
|  | 2 PLACES ± 0.13 ± --- | CHECKED BY DATE                                      | JCOMERC1 09/01/11   |   |  |                        |
|  | 1 PLACE ± 0.25 ± ---  | APPROVED BY DATE                                     | JCOMERC1 2011/11/21 |   |  |                        |
|  | 0 PLACE ± ±           | ANGULAR ±1/2°  | MATERIAL NO.        | DOCUMENT NO.  | SHEET NO.  |                        |
|  |                       | DRAFT WHERE APPLICABLE MUST REMAIN WITHIN DIMENSIONS | SEE CHART           | SD-75900-0001   | 1 OF 1   |                        |
|  |                       |  | SIZE A2             | THIS DRAWING CONTAINS INFORMATION THAT IS PROPRIETARY TO MOLEX INCORPORATED AND SHOULD NOT BE USED WITHOUT WRITTEN PERMISSION |  |                        |



NOTES:

1. TERMINAL MAT'L: ALLOY C26000, CARTRIDGE BRASS
2. WAFER MAT'L: 30% GLASS FILLED LCP, 94V-0, COLOR BLACK.
3. TERMINAL PLATING:
  - OPTION 4 - 1.5µm MIN MATTE TIN OVERALL OVER 1.25µm NICKEL OVERALL
  - OPTION 1 - 2.5µm MIN MATTE TIN OVERALL OVER 1.25µm NICKEL OVERALL
  - OPTION 2 - 1.25µm NICKEL OVERALL 2.5µm MIN SELECT MATTE TIN PC TAIL AREA 0.05-0.25µm SELECT GOLD CONTACT AREA
  - OPTION 3 - 1.25µm NICKEL OVERALL 2.5µm MIN SELECT MATTE TIN PC TAIL AREA 0.75µm SELECT GOLD CONTACT AREA
4. HEADER ASSEMBLIES ARE TUBE PACKAGED PER PK-36518-352.

| PKT SIZE | PLATING OPTION | MATERIAL NUMBER | *A* DIM | *B* DIM  | *C* DIM | MATERIAL NUMBER | *A* DIM | *B* DIM  | *C* DIM |
|----------|----------------|-----------------|---------|----------|---------|-----------------|---------|----------|---------|
| 1 x 2    | 1              | 75900-0121      | 7.0     | 3.50 REF | 3.05    | 75900-0122      | 7.0     | 3.50 REF | 4.75    |
|          | 2              | 75900-0221      |         |          |         | 75900-0222      |         |          |         |
|          | 3              | 75900-0321      |         |          |         | 75900-0322      |         |          |         |
|          | 4              | 75900-0421      |         |          |         | 75900-0422      |         |          |         |
| 1 x 3    | 1              | 75900-0131      | 10.5    | 7.00     | 3.05    | 75900-0132      | 10.5    | 7.00     | 4.75    |
|          | 2              | 75900-0231      |         |          |         | 75900-0232      |         |          |         |
|          | 3              | 75900-0331      |         |          |         | 75900-0332      |         |          |         |
|          | 4              | 75900-0431      |         |          |         | 75900-0432      |         |          |         |
| 1 x 4    | 1              | 75900-0141      | 14.0    | 10.50    | 3.05    | 75900-0142      | 14.0    | 10.50    | 4.75    |
|          | 2              | 75900-0241      |         |          |         | 75900-0242      |         |          |         |
|          | 3              | 75900-0341      |         |          |         | 75900-0342      |         |          |         |
|          | 4              | 75900-0441      |         |          |         | 75900-0442      |         |          |         |
| 1 x 6    | 1              | 75900-0161      | 21.0    | 17.50    | 3.05    | 75900-0162      | 21.0    | 17.50    | 4.75    |
|          | 2              | 75900-0261      |         |          |         | 75900-0262      |         |          |         |
|          | 3              | 75900-0361      |         |          |         | 75900-0362      |         |          |         |
|          | 4              | 75900-0461      |         |          |         | 75900-0462      |         |          |         |
| 1 x 8    | 1              | 75900-0181      | 28.0    | 24.50    | 3.05    | 75900-0182      | 28.0    | 24.50    | 4.75    |
|          | 2              | 75900-0281      |         |          |         | 75900-0282      |         |          |         |
|          | 3              | 75900-0381      |         |          |         | 75900-0382      |         |          |         |
|          | 4              | 75900-0481      |         |          |         | 75900-0482      |         |          |         |
| 1 x 10   | 1              | 75900-0101      | 35.0    | 31.50    | 3.05    | 75900-0102      | 35.0    | 31.50    | 4.75    |
|          | 2              | 75900-0201      |         |          |         | 75900-0202      |         |          |         |
|          | 3              | 75900-0301      |         |          |         | 75900-0302      |         |          |         |
|          | 4              | 75900-0401      |         |          |         | 75900-0402      |         |          |         |



RECOMMENDED PCB LAYOUT

| PK SPEC UPDATED<br>EC NO: 12016-0115<br>DRAWN: BR02 2016/05/16<br>CHKD: APPR: KPRASAD 2016/06/03 | QUALITY SYMBOLS<br>▽=0<br>▽=0<br>▽=0 | GENERAL TOLERANCES (UNLESS SPECIFIED)   |        | DIMENSION STYLE<br>MM ONLY                           |                    | SCALE<br>4:1   | DESIGN UNITS<br>METRIC | THIRD ANGLE PROJECTION       |
|--|--------------------------------------|---|--------|--|--------------------|--|------------------------|------------------------------|
|  |                                      | mm  | INCH   | DRAWN BY<br>DROSCA                                   | DATE<br>2010/10/12 | TITLE<br>MX150 RIGHT ANGLE SINGLE ROW UNSHROUDED HEADER ASSY |                        |                              |
|  |                                      | 4 PLACES  | ±---   | ±---   |                    |  |                        |                              |
|  |                                      | 3 PLACES  | ±---   | ±---   |                    |  |                        |                              |
|  |                                      | 2 PLACES  | ± 0.13 | ±---   |                    |  |                        |                              |
|  |                                      | 1 PLACE   | ± 0.25 | ±---   |                    |  |                        |                              |
|  |                                      | 0 PLACE   | ±      | ±  |                    |  |                        |                              |
|  |                                      | ANGULAR ±1/2°   |        | DRAFT WHERE APPLICABLE MUST REMAIN WITHIN DIMENSIONS |                    | MATERIAL NO.<br>SEE CHART                                    |                        | DOCUMENT NO.<br>SD-75900-002 |
|  |                                      | THIS DRAWING CONTAINS INFORMATION THAT IS PROPRIETARY TO MOLEX INCORPORATED AND SHOULD NOT BE USED WITHOUT WRITTEN PERMISSION |        |  |                    |  |                        | SHEET NO.<br>1 OF 1          |