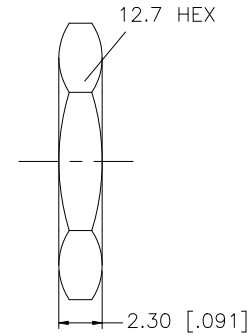
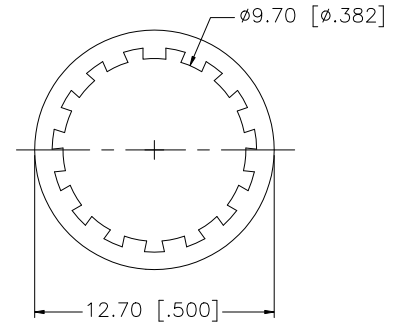
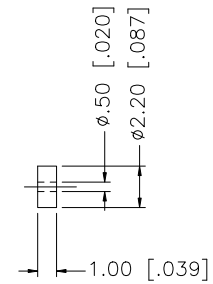
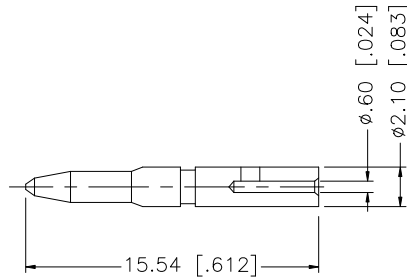
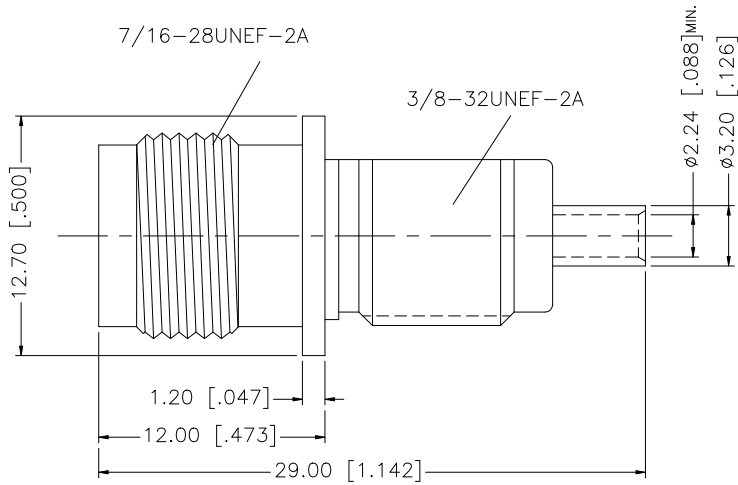
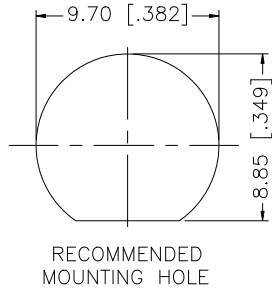
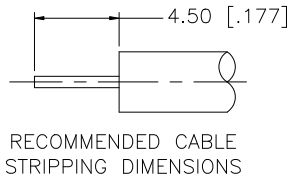


REV.	DATE	DESCRIPTION
NC	03/04/08	INITIAL RELEASE



8				
7				
6	INSULATOR	TEFLON	NATURAL	1
5	HEX NUT	BRASS	NICKEL	1
4	LOCK WASHER	BRASS	NICKEL	1
3	CONTACT PIN	BRASS	GOLD	1
2	INSULATOR	TEFLON	NATURAL	1
1	BODY	BRASS	NICKEL	1
	DESCRIPTION	MATERIAL	FINISH	QTY

UNLESS OTHERWISE SPECIFIED DIMENSIONS ARE IN MILLIMETERS. DIMENSIONS IN [ ] ARE IN INCHES AND FOR CUSTOMER REFERENCE ONLY.

UNLESS OTHERWISE SPECIFIED TOLERANCES FOR MILLIMETERS ARE:  
 0.5 - 8mm ± 0.20mm  
 8 - 30mm ± 0.40mm  
 30 - 120mm ± 0.50mm

UNLESS OTHERWISE SPECIFIED TOLERANCES FOR INCHES ARE:  
 .020 - .315 ± 0.007"  
 .315 - 1.180 ± 0.015"  
 1.180 - 4.724 ± 0.020"

DO NOT SCALE DRAWING

APPROVALS	DATE
DRAWN G.R.S.	03/04/08
CHECKED	
ISSUED	
SHEET 1 OF 1	
CAD FILE C:/122/122463RP-50.DWG	

<b>Amphenol Connex</b>			
PART DESCRIPTION			
TNC REVERSE POLARIZED BULKHEAD DIRECT SOLDER JACK (.085", .086" CABLE 50ohms)			
PART NO.			
122463RP-50			
DWG. NO.	122463RP-50.DWG	REV.	NC
SIZE	A	SCALE	NA