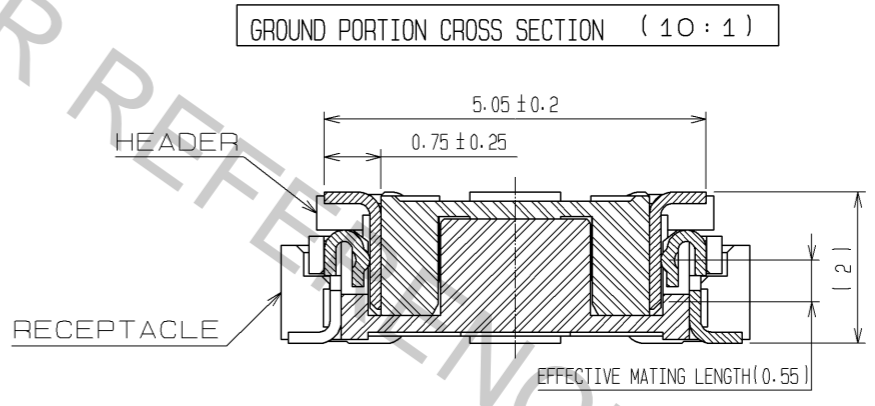
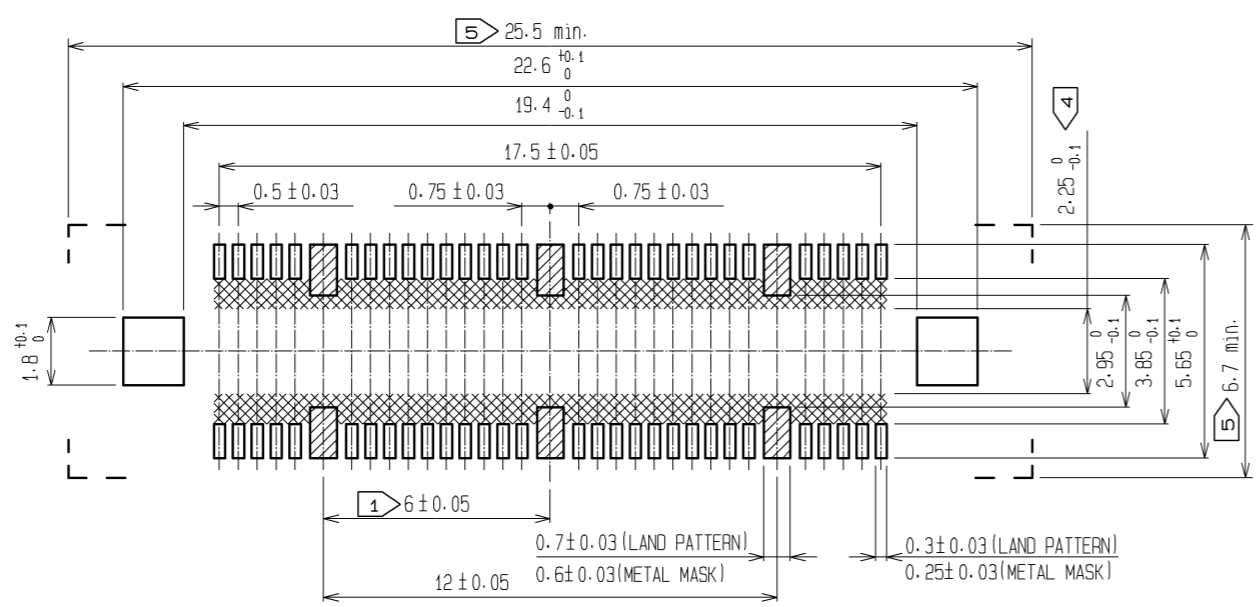


RECOMMENDED LAND PATTERN DIMENSION OF PCB



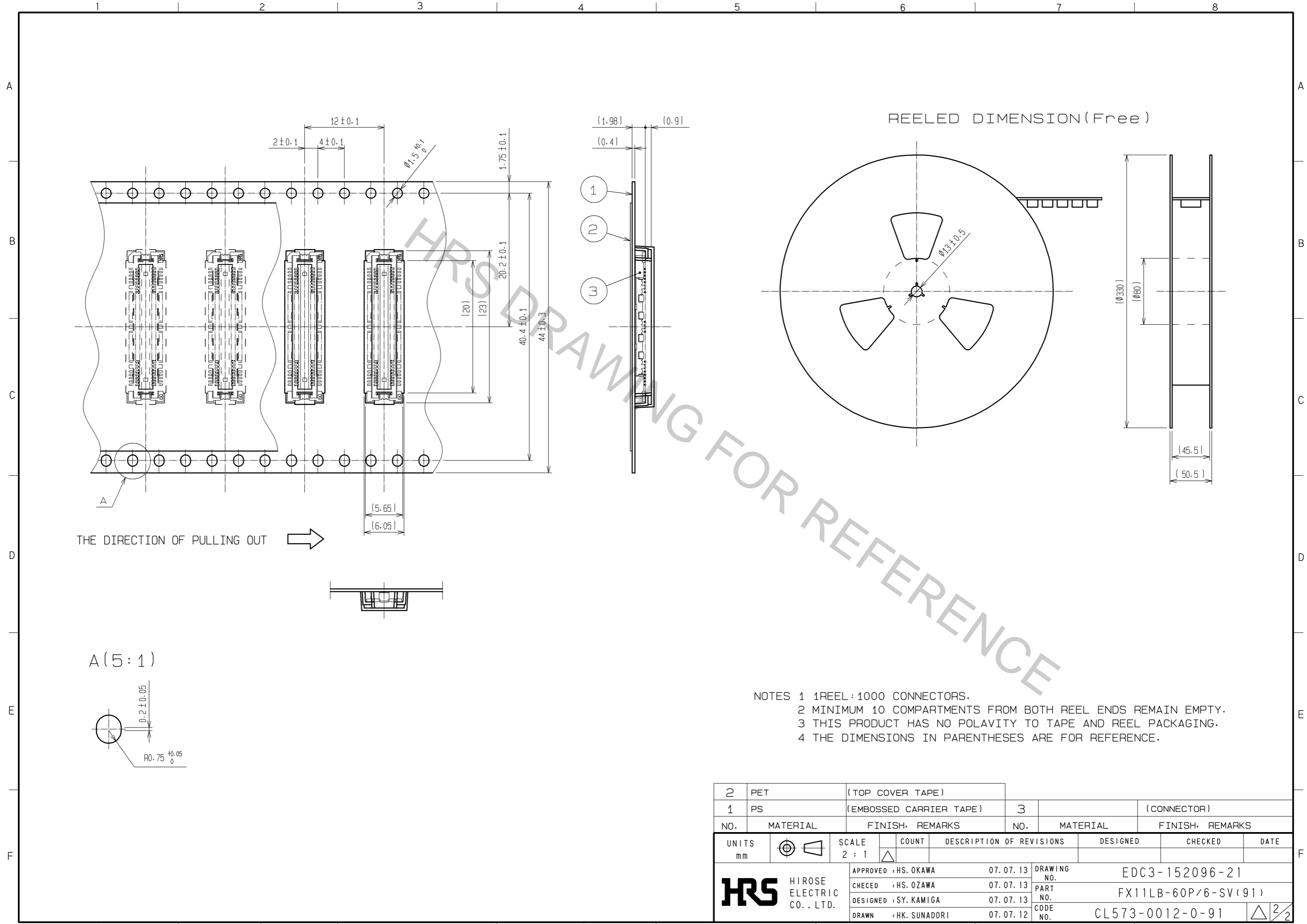
- NOTES
- ① 6 HATCHED PARTS: GROUND CIRCUIT.
 - ② SMT LEAD-COPLANARITY: 0.1 MAX.
 - ③ THIS PRODUCT HAS NO POLARITY TO PATTERN FOR MOUNTING.
 - ④ MAKE SURE WIDTH OF PATTERN IS WITHIN THAT OF LAND, OR LEAD MAY TOUCH PATTERN. (THIS APPLIES TO HATCHED AREA.)
 - ⑤ DO NOT MOUNT OTHER DEVICES ONTO AREA, OR MATING PAIR CANNOT BE MATED.
 - ⑥ TO BE EMBOSSED CARRIER TAPED AS SPECIFIED IN SHEET 2.
 - ⑦ THE DIMENSIONS IN PARENTHESES ARE FOR REFERENCE.

4	PHOSPHOR BRONZE	TIN PLATING
3	PHOSPHOR BRONZE	TIN PLATING
2	COPPER ALLOY	CONTACT AREA : GOLD 0.1μm min.
		LEAD AREA : GOLD FLASH
		UNDER PLATING : NICKEL 1μm min.

NO.	MATERIAL	FINISH	REMARKS	NO.	MATERIAL	FINISH	REMARKS
1	LCP	BEIGE	UL94V-0				

UNITS	SCALE	COUNT	DESCRIPTION OF REVISIONS	DESIGNED	CHECKED	DATE
mm	5:1	△				

APPROVED	HS. OKAWA	07.07.13	DRAWING NO.	EDC3-152096-21
CHECKED	HS. OZAWA	07.07.13	PART NO.	FX11LB-60P/6-SV(91)
DESIGNED	SY. KAMIGA	07.07.13	CODE NO.	CL573-0012-0-91
DRAWN	HK. SUNADORI	07.07.12		



- NOTES 1 1 REEL : 1000 CONNECTORS.
 2 MINIMUM 10 COMPARTMENTS FROM BOTH REEL ENDS REMAIN EMPTY.
 3 THIS PRODUCT HAS NO POLARITY TO TAPE AND REEL PACKAGING.
 4 THE DIMENSIONS IN PARENTHESES ARE FOR REFERENCE.

2	PET	(TOP COVER TAPE)			
1	PS	(EMBOSSED CARRIER TAPE)	3		(CONNECTOR)
NO.	MATERIAL	FINISH, REMARKS	NO.	MATERIAL	FINISH, REMARKS
UNITS		SCALE	COUNT	DESCRIPTION OF REVISIONS	DESIGNED
mm		2 : 1			CHECKED
				DATE	
HRS HIROSE ELECTRIC CO., LTD.		APPROVED : HS. OKAWA	07.07.13	DRAWING NO.	EDC3-152096-21
		CHECKED : HS. OZAWA	07.07.13	PART NO.	FX11LB-60P/6-SV(91)
		DESIGNED : SY. KAMIGA	07.07.13	CODE NO.	CL573-0012-0-91
		DRAWN : HK. SUNADORI	07.07.12		2/2