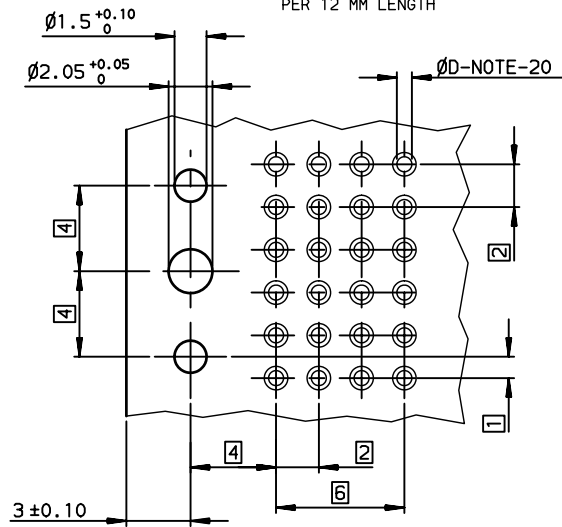
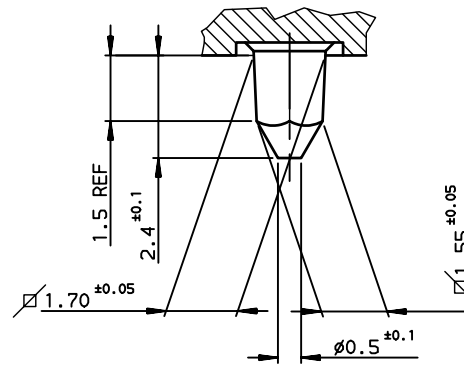


RECOMMENDED PCB LAYOUT
PER 12 MM LENGTH

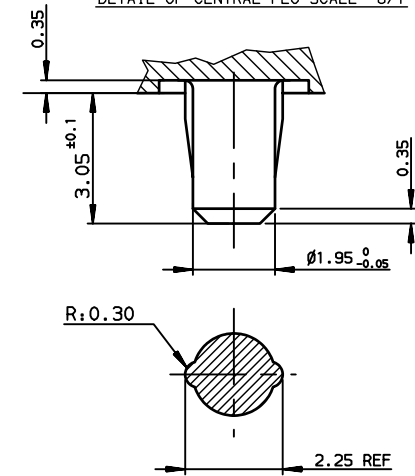


NOTE-20: PTH DIMENSIONS - ØD
- DRILL DIAMETER = 0.85 REF
- SEE DRAWING C-8626-0005

DETAIL OF LOCATING PEGS (2x) SCALE 8/1

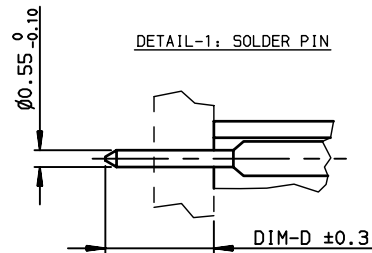


DETAIL OF CENTRAL PEG SCALE 8/1



GENERAL CHARACTERISTICS AND ROHS INFORMATIONS
See PRODUCT SPECIFICATION : GS-12-446

PART NUMBER	PERFORMANCE LEVEL
70448-1YY(LF)	STANDARD P/N, See Prod. Spec GS-12-446
70448-3YY(LF)	CUSTOMER SPECIAL , Specific Plating
70448-xYY(LF)	



OTHERS INFORMATIONS, SEE DRW 70448-1/-3/-4/-5

European Views

rev	ecn no	dr	date
F	-	PCH	2003/07/03
G	LS06-0089	LGO	2006/06/06
H	LS06-0114	LGO	2006/09/11
J	LS07-0134	MLE	2007/05/14
-	-	-	-
-	-	-	-

www.fciconnect.com		surface ISO 1302 ✓	tolerance std ISO 406 ISO 1101	projection mm	TOLERANCES UNLESS OTHERWISE SPECIFIED	
Dr	CHAMPION	1995/06/06	ANGULAR	0.X	±0.1	size A3
Eng	LENOIR	1995/06/06	LINEAR	0.XX	±0.1	Scale 4:1
Chr	LEGARE	1995/06/06	0.XX' ±2'	0.XXX	±0.1	ECN LS07-0134
Appr	LEGARE	1995/06/06	Product family	METRAL	Spec ref	-
FCJ title		METRAL RA HDR STB CONVERT		dwg no		70448-2
NB 4x24 -4MODULES -SPECIAL LOADING		catalog no		CUSTOMER		sheet 2 of 5
-		-		-		Rev. J



Copyright FCJ.

STANDARD P/N: 70448-X01				LEAD-FREE P/N: 70448-X01LF				CTS LOADING PATTERN																
DIM-P	1	2	3	4	5	6	7	8	9	10	11	12	13	14	15	16	17	18	19	20	21	22	23	24
ROW-D	5.75	5.75	5.75	5.75	5.75	5.75	5.75	5.75	5.75	5.75	5.75	5.75	5.75	5.75	5.75	5.75	5.75	5.75	5.75	5.75	5.75	5.75	5.75	5.75
ROW-C	5.75	5.75	5.75	5.75	5.75	5.75	5.75	5.75	5.75	5.75	5.75	5.75	5.75	5.75	5.75	5.75	5.75	5.75	5.75	5.75	5.75	5.75	5.75	5.75
ROW-B	5.75	5.75	5.75	5.75	5.75	5.75	5.75	5.75	5.75	5.75	5.75	5.75	5.75	5.75	5.75	5.75	5.75	5.75	5.75	5.75	5.75	5.75	5.75	5.75
ROW-A	5.00	6.50	6.50	6.50	6.50	6.50	6.50	6.50	5.75	5.75	5.75	5.75	5.75	5.75	5.75	5.75	6.50	6.50	6.50	6.50	6.50	6.50	5.00	
DIM-D =2.9±0.3		NUMBER OF CTS = 96																						

STANDARD P/N: 70448-X02				LEAD-FREE P/N: 70448-X02LF				CTS LOADING PATTERN																
DIM-P	1	2	3	4	5	6	7	8	9	10	11	12	13	14	15	16	17	18	19	20	21	22	23	24
ROW-D	5.75	5.75	5.75	5.75	5.75	5.75	5.75	5.75	5.75	5.75	5.75	5.75	5.75	5.75	5.75	5.75	5.75	5.75	5.75	5.75	5.75	5.75	5.75	5.75
ROW-C	5.75	5.75	5.75	5.75	5.75	5.75	5.75	5.75	5.75	5.75	5.75	5.75	5.75	5.75	5.75	5.75	5.75	5.75	5.75	5.75	5.75	5.75	5.75	5.75
ROW-B	5.75	5.75	5.75	5.75	5.75	5.75	5.75	5.75	5.75	5.75	5.75	5.75	5.75	5.75	5.75	5.75	5.75	5.75	5.75	5.75	5.75	5.75	5.75	5.75
ROW-A	5.00	6.50	6.50	6.50	6.50	6.50	6.50	6.50	5.75	5.75	5.75	5.75	5.75	5.75	5.75	5.75	6.50	6.50	6.50	6.50	6.50	6.50	5.00	
DIM-D =3.7±0.3		NUMBER OF CTS = 96																						

STANDARD P/N: 70448-X03				LEAD-FREE P/N: 70448-X03LF				CTS LOADING PATTERN																
DIM-P	1	2	3	4	5	6	7	8	9	10	11	12	13	14	15	16	17	18	19	20	21	22	23	24
ROW-D		5.00				5.00		5.00				5.00		5.00	5.00	5.00		5.00		5.00		5.00	5.00	
ROW-C	5.00				5.00				5.00		5.00		5.00		5.00		5.00		5.00		5.00		5.00	
ROW-B		5.00				5.00		5.00				5.00		5.00	5.00	5.00		5.00		5.00		5.00		5.00
ROW-A	5.00		5.00		5.00				5.00		5.00		5.00		5.00		5.00		5.00		5.00		5.00	
DIM-D =2.9±0.3		NUMBER OF CTS = 43																						

(ALSO REPLACE B-STYLE P/N: 89034-X01)

OTHERS INFORMATIONS,SEE DRW 70448-1/-2/-4/-5

European Views

www.fciconnect.com			surface ISO 1302 <input checked="" type="checkbox"/>	tolerance std ISO 406 ISO 1101	projection 	mm
TOLERANCES UNLESS OTHERWISE SPECIFIED						
Dr	CHAMPION	1995/06/06	ANGULAR	LINEAR	0.X	±0.1
Eng	CHAMPION	1995/06/06			0.XX	±0.1
Chr	LEGARE	1995/06/06	0.XX	±2*	0.XXX	±0.1
Appr	LEGARE	1995/06/06	Product family		METRAL	Spec ref -
			title METRAL RA HDR STB CONVER			dwg no 70448-3
			NB 4x24 -4MODULES -SPECIAL LOADING			
catalog no			-			Rev. J
CUSTOMER			sheet 3 of 5			

rev	ecn no	dr	date
E	-	PCH	2003/02/18
G	LS06-0089	LGO	2006/06/06
H	LS06-0114	LGO	2006/09/11
J	LS07-0134	MLE	2007/05/14
-	-	-	-
-	-	-	-
-	-	-	-



Copyright FCI.

STANDARD P/N: 70448-X04				LEAD-FREE P/N: 70448-X04LF				CTS LOADING PATTERN																
DIM-P	1	2	3	4	5	6	7	8	9	10	11	12	13	14	15	16	17	18	19	20	21	22	23	24
ROW-D		5.00		5.00		5.00		5.00				5.00		5.00	5.00	5.00		5.00		5.00		5.00		5.00
ROW-C	5.00			5.00	5.00				5.00		5.00		5.00		5.00		5.00		5.00		5.00		5.00	
ROW-B		5.00				5.00		5.00				5.00		5.00	5.00	5.00		5.00		5.00		5.00		5.00
ROW-A	5.00		5.00		5.00				5.00		5.00		5.00		5.00		5.00		5.00		5.00		5.00	
DIM-D =2.9±0.3			NUMBER OF CTS = 45																					

STANDARD P/N: 70448-X05				LEAD-FREE P/N: 70448-X05LF				CTS LOADING PATTERN																
DIM-P	1	2	3	4	5	6	7	8	9	10	11	12	13	14	15	16	17	18	19	20	21	22	23	24
ROW-D	5.75	5.75	5.75	5.75	5.75	5.75	5.75	5.75	5.75	5.75	5.75	5.75	5.75	5.75	5.75	5.75	5.75	5.75	5.75	5.75	5.75	5.75	5.75	5.75
ROW-C	5.75	5.75	5.75	5.75	5.75	5.75	5.75	5.75	5.75	5.75	5.00	5.75	5.75	5.75	5.75	5.75	5.75	5.75	5.75	5.75	6.50	6.50	5.75	5.75
ROW-B	5.75	6.50	5.75	5.75	5.75	5.75	5.75	5.75	5.75	5.75	5.75	5.75	5.75	5.75	5.75	5.75	5.75	5.75	6.50	5.75	6.50	5.75	5.75	5.75
ROW-A	6.50	5.75	5.75	5.75	5.75	5.75	5.75	5.75	5.75	5.75	5.75	5.75	5.75	5.75	5.75	5.75	5.75	5.75	5.75	6.50	5.75	6.50	5.75	5.75
DIM-D =2.9±0.3			NUMBER OF CTS = 96																					

(REPLACE B-STYLE P/N: 89034-X02)

STANDARD P/N: 70448-X06				LEAD-FREE P/N: 70448-X06LF				CTS LOADING PATTERN																
DIM-P	1	2	3	4	5	6	7	8	9	10	11	12	13	14	15	16	17	18	19	20	21	22	23	24
ROW-D	5.00	5.00	5.00	5.00	5.00	5.00	5.00	5.00	5.00	5.00	5.00	5.00	5.00	5.00	5.00	5.00	5.00	5.00	5.00	5.00	5.00	5.00	5.00	5.00
ROW-C	6.50	5.00	5.00	5.00	5.00	5.00	5.00	5.00	5.00	5.00	5.00	5.00	5.00	5.00	5.00	5.00	5.00	5.00	5.00	5.00	5.00	5.00	5.00	6.50
ROW-B	6.50	5.00	5.00	5.00	5.00	5.00	5.00	5.00	5.00	5.00	5.00	5.00	5.00	5.00	5.00	5.00	5.00	5.00	5.00	5.00	5.00	5.00	5.00	6.50
ROW-A	6.50	5.00	5.00	5.00	5.00	5.00	5.00	5.00	5.00	5.00	5.00	5.00	5.00	5.00	5.00	5.00	5.00	5.00	5.00	5.00	5.00	5.00	5.00	6.50
DIM-D =2.9±0.3			NUMBER OF CTS = 96																					

(REPLACE B-STYLE P/N: 89034-X03)

OTHERS INFORMATIONS,SEE DRW 70448-1/-2/-3/-5

European Views

www.fciconnect.com		surface ISO 1302	<input checked="" type="checkbox"/>	tolerance std ISO 406 ISO 1101	projection 	mm
TOLERANCES UNLESS OTHERWISE SPECIFIED						
Dr	CHAMPION	1995/06/06	ANGULAR	0.X	±0.1	size
Eng	LENOIR	1995/06/06	LINEAR	0.XX	±0.1	A3
Chr	LEGARE	1995/06/06	0.XX' ±2'	0.XXX	±0.1	Scale 4:1
Appr	LEGARE	1995/06/06	Product family	METRAL		ECN LS07-0134
					Spec ref	-
		title METRAL RA HDR STB CONVERG			dwg no 70448-4	
		NB 4x24 -4MODULES -SPECIAL LOADING			Rev. J	
catalog no					CUSTOMER sheet 4 of 5	

rev	ecn no	dr	date
E	-	PCH	2003/02/18
G	LS06-0089	LGO	2006/06/06
H	LS06-0114	LGO	2006/09/11
J	LS07-0134	MLE	2007/05/14
-	-	-	-
-	-	-	-
-	-	-	-



Copyright FCI.

STANDARD P/N: 70448-X07				LEAD-FREE P/N: 70448-X07LF				CTS LOADING PATTERN																
DIM-P	1	2	3	4	5	6	7	8	9	10	11	12	13	14	15	16	17	18	19	20	21	22	23	24
ROW-D																								
ROW-C	5.00	5.00	5.00	5.00	5.00	5.00	5.00	5.00	5.00	5.00	5.00	5.00	5.00	5.00	5.00	5.00	5.00	5.00	5.00	5.00	5.00	5.00	5.00	
ROW-B	5.00	5.00	5.00	5.00	5.00	5.00	5.00	5.00	5.00	5.00	5.00	5.00	5.00	5.00	5.00	5.00	5.00	5.00	5.00	5.00	5.00	5.00	5.00	
ROW-A	5.00	5.00	5.00	5.00	5.00	5.00	5.00	5.00	5.00	5.00	5.00	5.00	5.00	5.00	5.00	5.00	5.00	5.00	5.00	5.00	5.00	5.00	5.00	
DIM-D =2.9±0.3			NUMBER OF CTS = 72																					

(REPLACE B-STYLE P/N: 89034-X04)

STANDARD P/N: 70448-X08				LEAD-FREE P/N: 70448-X08LF				CTS LOADING PATTERN																
DIM-P	1	2	3	4	5	6	7	8	9	10	11	12	13	14	15	16	17	18	19	20	21	22	23	24
ROW-D																								
ROW-C	5.00		5.00		5.00		5.00		5.00		5.00		5.00		5.00		5.00		5.00		5.00		5.00	
ROW-B	5.00		5.00		5.00		5.00		5.00		5.00		5.00		5.00		5.00		5.00		5.00		5.00	
ROW-A	5.00		5.00		5.00		5.00		5.00		5.00		5.00		5.00		5.00		5.00		5.00		5.00	
DIM-D =2.9±0.3			NUMBER OF CTS = 36																					

(REPLACE B-STYLE P/N: 89034-X05)

STANDARD P/N: 70448-X09				LEAD-FREE P/N: 70448-X09LF				CTS LOADING PATTERN																
DIM-P	1	2	3	4	5	6	7	8	9	10	11	12	13	14	15	16	17	18	19	20	21	22	23	24
ROW-D	5.75	5.75	5.75	5.75	5.75	5.75	5.75	5.75	5.75	5.75	5.75	5.75	5.75	5.75	5.75	5.75	5.75	5.75	5.75	5.75	5.75	5.75	5.75	
ROW-C	5.75	5.75	5.00	5.75	5.75	5.75	5.75	5.75	5.75	5.75	5.75	5.75	5.75	5.75	5.75	5.75	5.75	5.75	5.75	5.75	5.75	5.75	5.00	
ROW-B	5.75	5.75	5.75	5.75	5.75	5.75	5.75	5.75	5.75	5.75	5.75	5.75	5.75	5.75	5.75	5.75	5.75	5.75	5.75	5.75	5.75	5.75	5.75	
ROW-A	6.50	6.50	6.50	6.50	6.50	6.50	5.75	5.75	5.75	5.75	5.75	5.75	5.75	5.75	5.75	5.75	5.75	6.50	6.50	6.50	6.50	6.50	6.50	
DIM-D =2.9±0.3			NUMBER OF CTS = 96																					

(REPLACE B-STYLE P/N: 89034-X09)

OTHERS INFORMATIONS, SEE DRW 70448-1/-2/-3/-4

European Views

www.fciconnect.com		surface ISO 1302	<input checked="" type="checkbox"/>	tolerance std ISO 406 ISO 1101	projection 	mm
TOLERANCES UNLESS OTHERWISE SPECIFIED						
Dr	CHAMPION	1995/06/06	ANGULAR	0.X	±0.1	size
Eng	LENOIR	1995/06/06	LINEAR	0.XX	±0.1	A3
Chr	LEGARE	1995/06/06	0.XX' ±2'	0.XXX	±0.1	Scale 4:1
Appr	LEGARE	1995/06/06	Product family	METRAL		ECN LS07-0134
FCJ title METRAL RA HDR STB CONVERG					Spec ref -	
NB 4x24 -4MODULES -SPECIAL LOADING					70448-5	
catalog no					CUSTOMER sheet 5 of 5	

rev	ecn no	dr	date
E	-	PCH	2003/02/18
G	LS06-0089	LGO	2006/06/06
H	LS06-0114	LGO	2006/09/11
J	LS07-0134	MLE	2007/05/14
-	-	-	-
-	-	-	-
-	-	-	-



Copyright FCJ.