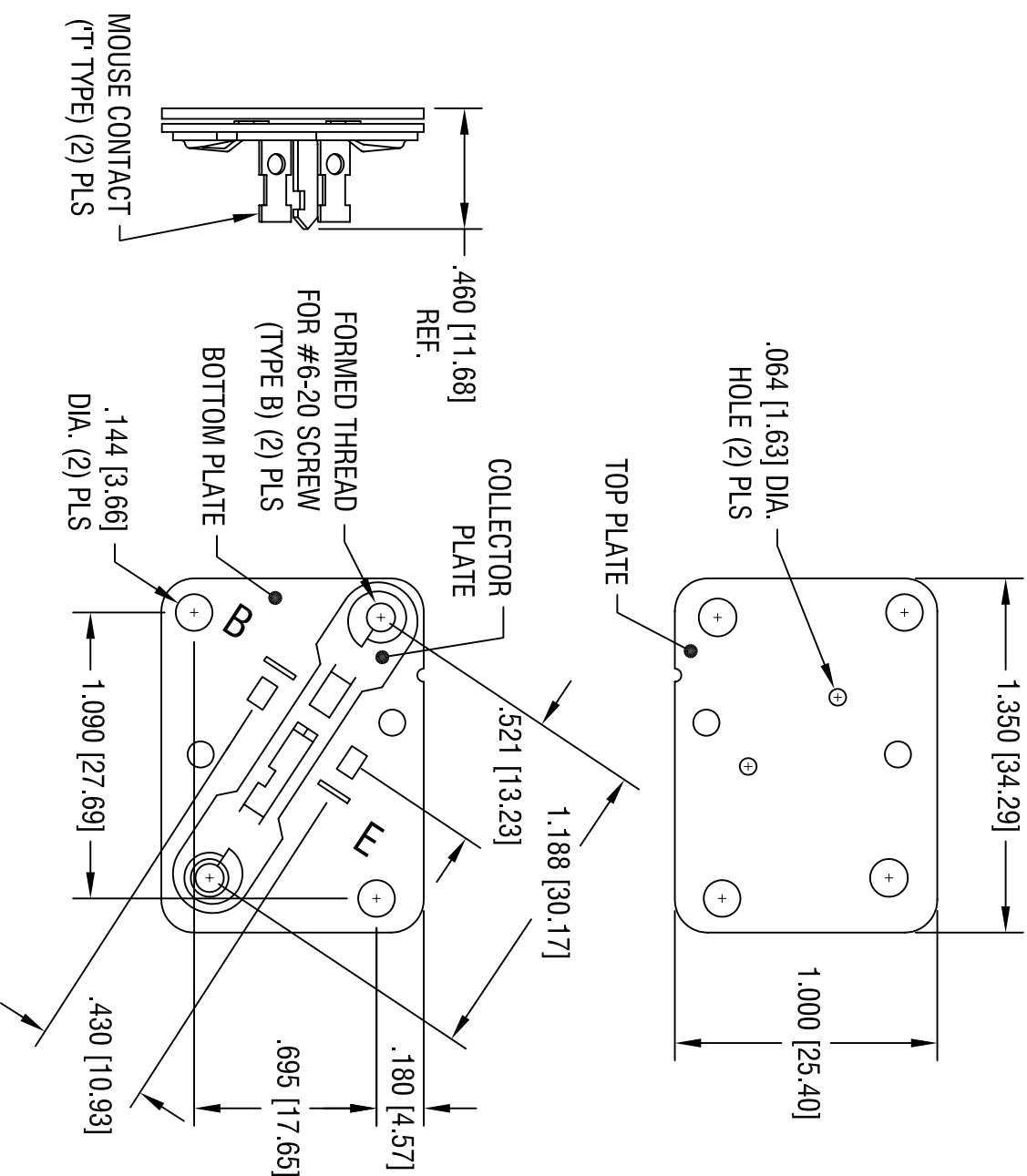


DATE	DESCRIPTION	REV.
3.14.07	CHANGE AS PER ECN 07-014	B



- NOTES:
- TOP PLATE:  
MAT'L - .032 [0.81] THK PHENOLIC
  - BOTTOM PLATE:  
MAT'L - .032 [0.81] THK PHENOLIC
  - COLLECTOR PLATE:  
MAT'L - .032 [0.81] THK STEEL  
FINISH - TIN PLATE
  - MOUSE CONTACT ('T' TYPE):  
MAT'L - .013 [0.33] THK BRASS  
FINISH - TIN PLATE

**KEYSTONE ELECTRONICS CORP.**  
ASTORIA, N.Y. 11105-2017

PART NAME  
TO-3 POWER TRANSISTOR SOCKET

MATERIAL  
AS NOTED

FINISH  
AS NOTED

TOLERANCES	INCH	[MM]	CODE	DWG NO.
DECIMAL	± .005	[± 0.15 ]	C	4606
ANGULAR	± 1°			

THIS DOCUMENT IS THE PROPERTY OF  
KEYSTONE ELECTRONICS CORP. AND  
SHALL NOT BE REPRODUCED, DISTRIBUTED  
OR USED AS A BASIS FOR MANUFACTURE  
WITHOUT PRIOR WRITTEN PERMISSION  
FROM KEYSTONE ELECTRONICS CORP.

DRN BY	DATE
BOONE	10.18.82

App'd	SCALE
LN	1.5X