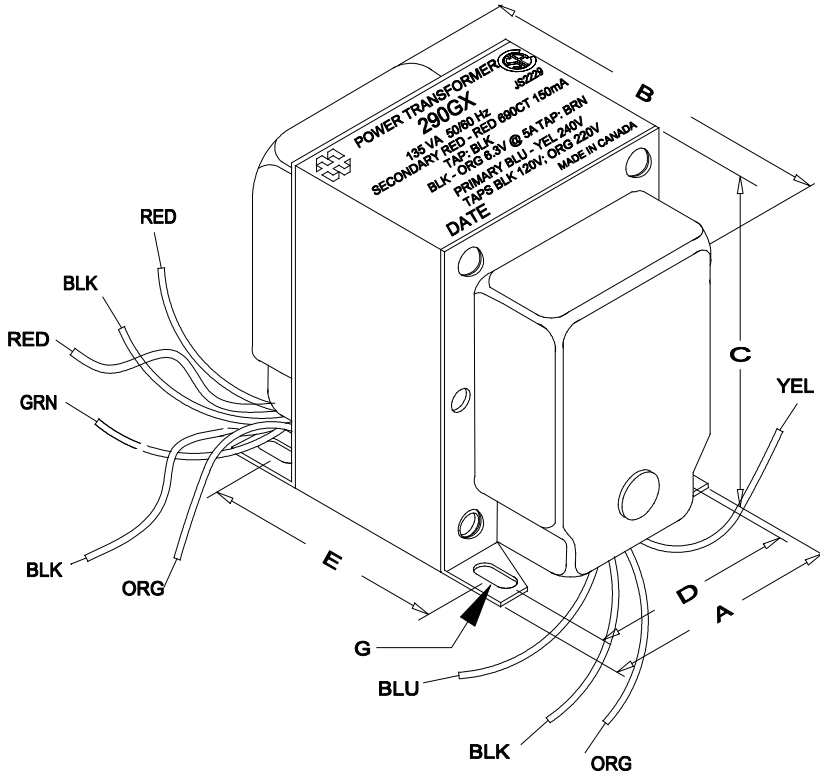


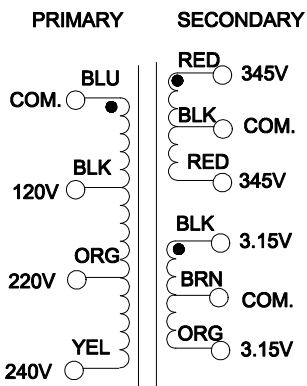
290GX



NOTE: ALL LEADS 16" OUT

DIMENSIONS:

A	3.750" ±0.063
B	4.250" ±MAX
C	4.600" ±MAX
D	3.220" ±0.063
E	3.210" ±0.063
G	0438" x 0218" ±0.015



ELECTRICAL DATA:

Turns ratio:	1 : 2.94 (RED - RED)
Exciting Current	@ 120V, 60Hz, BLU - BLK 473mA Max.
DCR	@ 25C, BLU - YEL =8.03 Ω ±20%
	@ 25C, RED - RED =91.5 Ω ±20%
	@ 25C, BLK - ORG =0.037 Ω ±20%
Pri. Voltage	120V/220V/240V 50/60Hz
Sec. Voltage (RMS)	690VCT @ 150mA,typ. (213mA MAX) 6.3VCT @ 5A,typ. (5.43 A MAX)
No Load Voltage	705.03V / 6.76V



**HAMMOND
ELECTRONICS**

52 RANKIN PLACE,
WATERLOO, ONTARIO, N2L 3Z5.
PHONE (519) 886-6181
FAX # (519) 886-9540

TITLE **POWER TRANSFORMER**

2	08/29/11	RELEASED	DR BY IOAN POP
1	08/11/09	RELEASED	DATE 05/12/09
NO	DATE	REVISION	DIM IN(X)MM()

290GX