

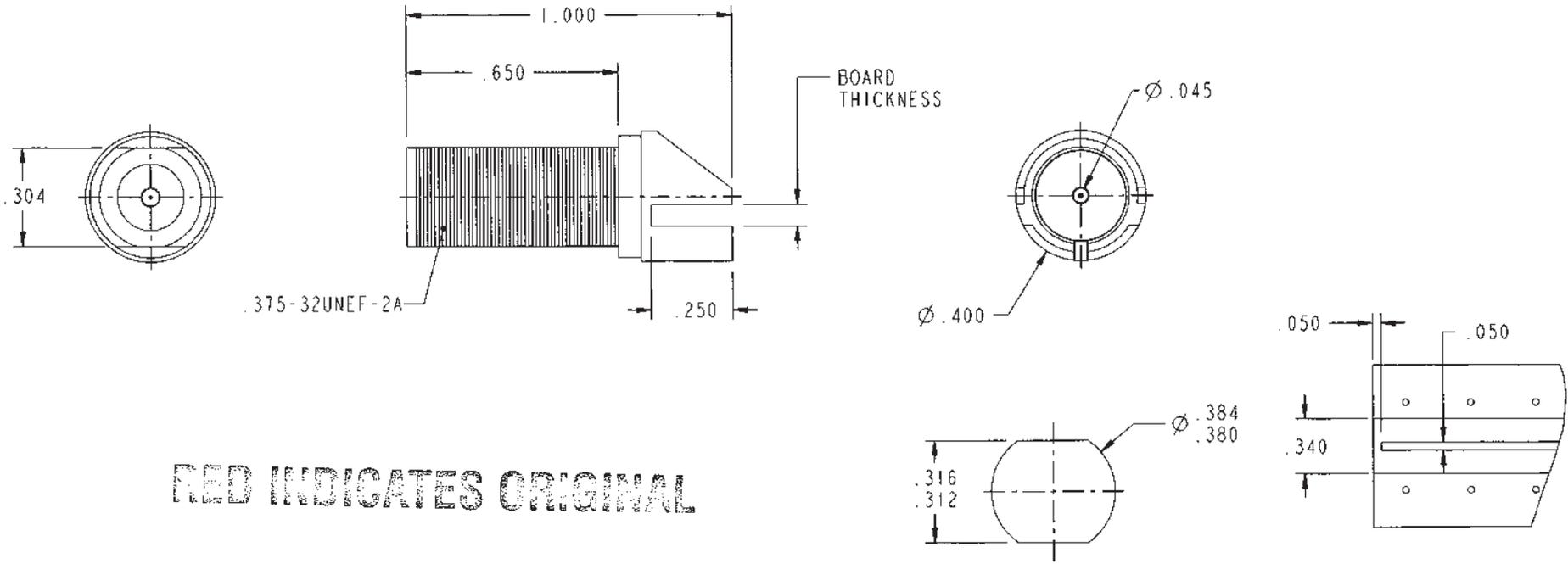
DASH NO	BOARD THICKNESS
-1	.060-.064
-2	.028-.033

DATA CONTAINED IN THIS DOCUMENT IS PROPRIETARY TO TROMPETER ELECTRONICS INC AND SHALL NOT BE DISCLOSED, COPIED OR USED FOR PROCUREMENT OR MANUFACTURE WITHOUT EXPRESS WRITTEN PERMISSION.

REVISIONS			
REV	DESCRIPTIONS	DATE	APPROVED
E	REVISED PER ECO 16389	11/13/07	AMES



SCALE 1/1



RED INDICATES ORIGINAL

3. EXAMPLE OF A COMPLETE MODEL NO.

CBJE130 -1

MODEL        DASH NO (SEE TABLE)

2. FINISH: BODY: TFS-1Z (GOLD)  
CONTACT: TFS-1B (GOLD)

1. CIRCUIT BOARD EDGE MOUNT  
"F" STYLE FEMALE JACK

NOTES: UNLESS OTHERWISE SPECIFIED.

RECOMMENDED  
CUT-OUT  
SCALE 2/1

RECOMMENDED  
PCB LAYOUT  
SCALE 1/1

INTERPRET DRAWING PER ALL-STD-100. DIMENSIONS ARE IN INCHES AND INCLUDE FINISH THICKNESS UNLESS OTHERWISE SPECIFIED.		DCL: UNLESS SPECIFIED. .XX = ± .02 .XXX = ± .010		 a cinch connectivity solutions brand		
DRN J. CARPENTER	11-09-07	MATERIAL:	TITLE:  CBJE130			
CMR EM	11/9/07	FINISH:	SIZE A	CAGE CODE 14949	DRAWING NO. 1-0579	REV. E
APPROVED EM	11/13/07	PROJ FILE NO. 1-0579	SCALE 2/1	DATE 8-3-01	SHEET 1C	