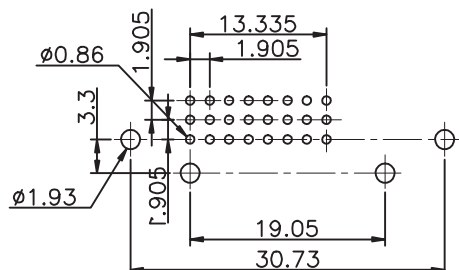
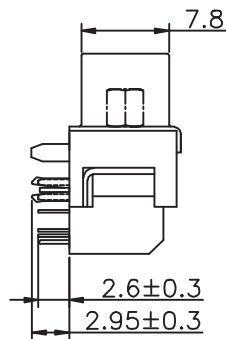
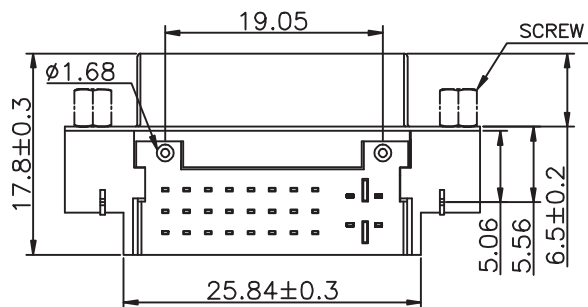


SCREW DETAILS



PCB LAYOUT - COMPONENT VIEW

TECHNICAL CHARACTERISTICS

MATERIAL  
 INSULATOR: PBT  
 COLOR: WHITE  
 CONTACT MATERIAL: COPPER ALLOY  
 CONTACT TYPE: STAMPED  
 CONTACT PLATING: SELECTIVE GOLD  
 SHIELDING: STEEL TIN PLATED  
 QUALITY CLASS: 100 MATING CYCLES

ENVIRONMENTAL  
 OPERATING TEMPERATURE: -25 UP TO 85°C  
 FLAMABILITY RATING: UL94-V0  
 COMPLIANCE: LEAD FREE AND ROHS

ELECTRICAL  
 CURRENT RATING: 3A  
 WORKING VOLTAGE: 40V  
 INSULATOR RESISTANCE: >1000 MOHM  
 DIELECTRIC WITHSTANDING VOLTAGE: 500V AC/MN  
 CONTACT RESISTANCE: 20 mOHM MAX

STANDARD  
 CERTIFIED: E323964 / MODEL NUMBER 675024321221

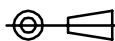
SOLDERING  
 WAVE PROCESS ONLY

MOUNTED ACCESSORIES  
 UNC 4-40 HEX SCREW / BOARD LOCK

PACKAGING  
 TRAY

RoHS Compliant

PROJECTION:



GENERAL TOLERANCE

.X = +/- 0.2

.XX = +/- 0.15



APPROVAL: RJ

UNIT: MM

SCALE:

SHEET: 1/2

DRAW: PEARL

DESCRIPTION: DIGITAL ANGLED DVI UNC 4-40 SCREW

WERI PART NO: 675 024 321 221

SIZE

**A4**

H	31-JAN-13	QUALITY CLASS	QL
REV	DATE	FILE	BY

1

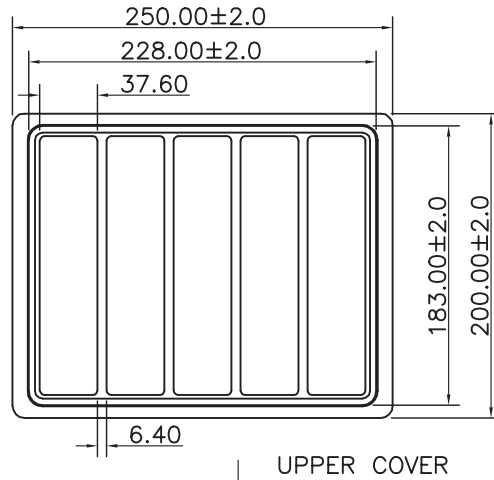
2

3

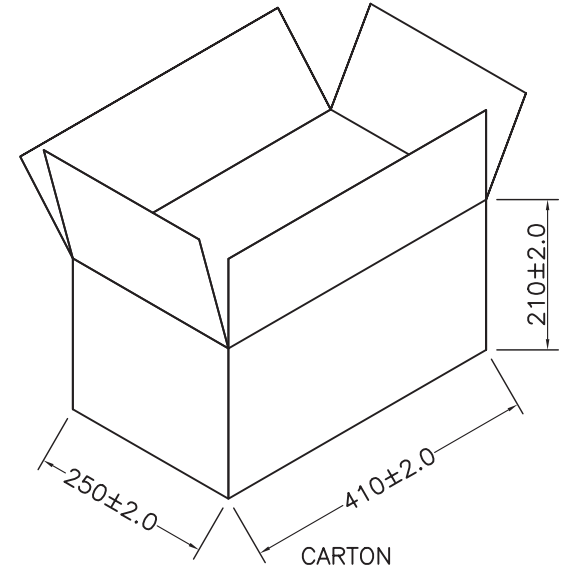
4

5

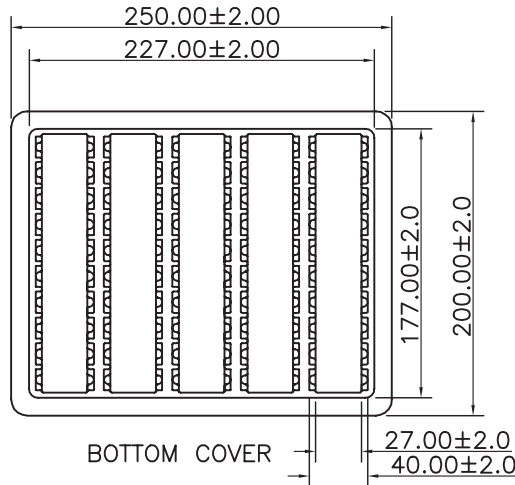
NOTE:  
50PCS/TRAY,1000PCS/BOX



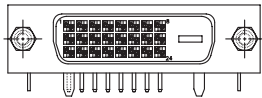
UPPER COVER



CARTON

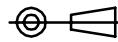


BOTTOM COVER



RoHS Compliant			
G			
F			
E			
D			
C			
B			
A			
REV	DATE	FILE	BY

PROJECTION:



APPROVAL: RJ

GENERAL TOLERANCE

.X = +/- 0.2

.XX = +/- 0.15

UNIT: MM

SCALE:

SHEET: 2/2

DRAW: PEARL



DESCRIPTION: DIGITAL ANGLED DVI UNC 4-40 SCREW

WERI PART NO: 675 024 321 221

SIZE

**A4**

A

B

C

D