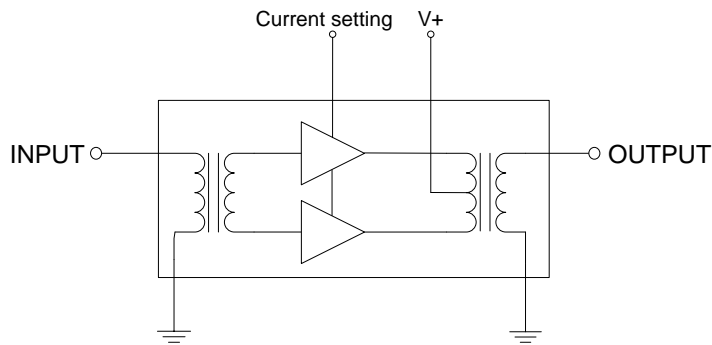


# RFPD2650

GaAs/GaN Power Doubler Hybrid  
45MHz to 1003MHz

The RFPD2650 is a Hybrid Power Doubler amplifier module. The part employs GaAs pHEMT die and GaN HEMT die, has extremely high output capability, and is operated from 45MHz to 1003MHz. It provides excellent linearity and superior return loss performance with low noise and optimal reliability. DC current of the device can be externally adjusted for optimum distortion performance versus power consumption over a wide range of output level.



## Ordering Information

RFPD2650                      Box with 50 Pieces

## Absolute Maximum Ratings

Parameter	Rating	Unit
RF Input Voltage (single tone)	75	dBmV
DC Supply Over-Voltage (5 minutes)	30	V
Storage Temperature	-40 to +100	°C
Operating Mounting Base Temperature	-30 to +100	°C



Package: SOT-115J

## Features

- Excellent Linearity
- Superior Return Loss Performance
- Extremely Low Distortion
- Optimal Reliability
- Low Noise
- Unconditionally Stable Under All Terminations
- Extremely High Output Capability
- 22.5dB Min. Gain at 1003MHz
- 450mA Max. at 24V<sub>DC</sub>
- Extra Pin For Current Adjustment

## Applications

- 45MHz to 1003MHz CATV Amplifier Systems



**Caution!** ESD sensitive device.



RoHS (Restriction of Hazardous Substances): Compliant per EU Directive 2011/65/EU.

Exceeding any one or a combination of the Absolute Maximum Rating conditions may cause permanent damage to the device. Extended application of Absolute Maximum Rating conditions to the device may reduce device reliability. Specified typical performance or functional operation of the device under Absolute Maximum Rating conditions is not implied.

## Nominal Operating Parameters

Parameter	Specification			Unit	Condition
	Min	Typ	Max		
<b>General Performance</b>					<b>V<sub>+</sub> = 24V; T<sub>MB</sub> = 30°C; Z<sub>S</sub> = Z<sub>L</sub> = 75Ω, IDC set &gt; 370mA</b>
Power Gain	21.0	21.5	22.0	dB	f = 45MHz
	22.5	23.0	24.0	dB	f = 1003MHz
Slope <sup>[1]</sup>	1.0	1.5	2.5	dB	f = 45MHz to 1003MHz
Flatness of Frequency Response			0.8	dB	f = 45MHz to 1003MHz
Input Return Loss	20			dB	f = 45MHz to 320MHz
	19			dB	f = 320MHz to 640MHz
	18			dB	f = 640MHz to 870MHz
	16			dB	f = 870MHz to 1003MHz
Output Return Loss	20			dB	f = 45MHz to 320MHz
	19			dB	f = 320MHz to 640MHz
	18			dB	f = 640MHz to 870MHz
	17			dB	f = 870MHz to 1003MHz
Noise Figure		3.5	4.5	dB	f = 50MHz to 1003MHz
Total Current Consumption (DC)		430.0	450.0	mA	[5]
<b>Distortion Data</b>					<b>V<sub>+</sub> = 24V; T<sub>MB</sub> = 30°C; Z<sub>S</sub> = Z<sub>L</sub> = 75Ω, IDC = IDC typical<sup>[5]</sup></b>
CTB		-73	-68	dBc	V <sub>O</sub> = 61dBmV at 1000MHz, 18dB extrapolated tilt, 79 analog channels plus 75 digital channels (-6dB offset) <sup>[2],[5]</sup>
XMOD		-65	-60	dBc	
CSO		-76	-70	dBc	
CIN	55	60		dB	
<b>Distortion Data</b>					<b>V<sub>+</sub> = 24V; T<sub>MB</sub> = 30°C; Z<sub>S</sub> = Z<sub>L</sub> = 75Ω, IDC = IDC typical<sup>[5]</sup></b>
CTB		-77		dBc	V <sub>O</sub> = 56.4dBmV at 1000MHz, 13.4dB extrapolated tilt, 79 analog channels plus 75 digital channels (-6dB offset) <sup>[3],[5]</sup>
XMOD		-71		dBc	
CSO		-71		dBc	
CIN		67		dB	
<b>Distortion Data</b>					<b>V<sub>+</sub> = 24V; T<sub>MB</sub> = 30°C; Z<sub>S</sub> = Z<sub>L</sub> = 75Ω, IDC = 370mA</b>
CTB		-70		dBc	V <sub>O</sub> = 56.4dBmV at 1000MHz, 13.4dB extrapolated tilt, 79 analog channels plus 75 digital channels (-6dB offset) <sup>[3],[5]</sup>
XMOD		-62		dBc	
CSO		-71		dBc	
CIN		60		dB	

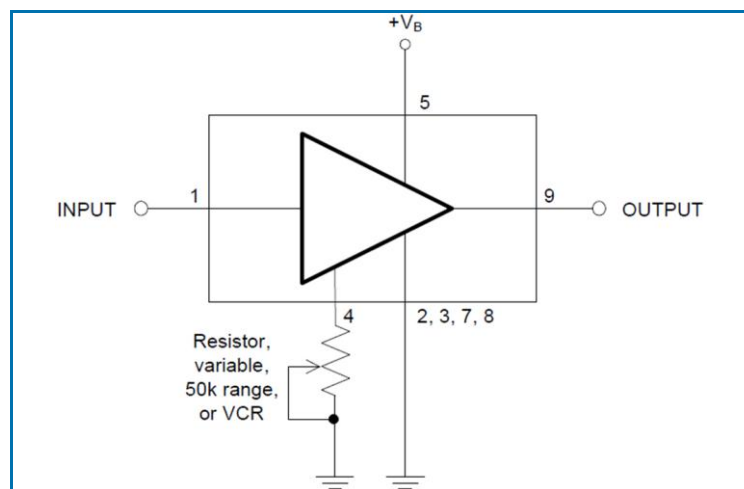
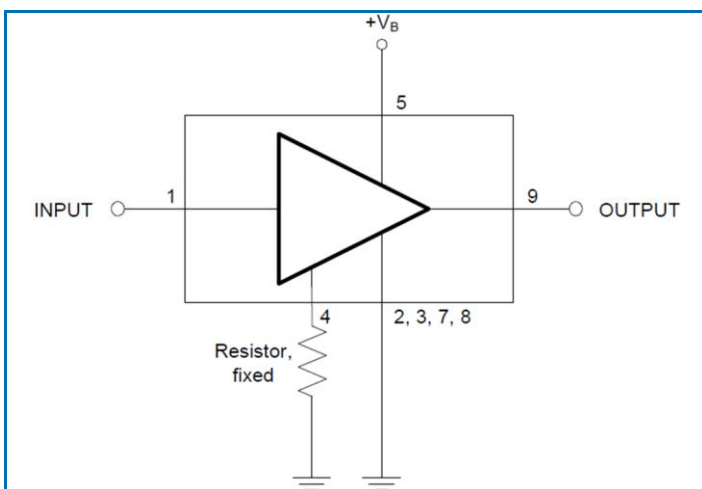
Parameter	Specification			Unit	Condition
	Min	Typ	Max		

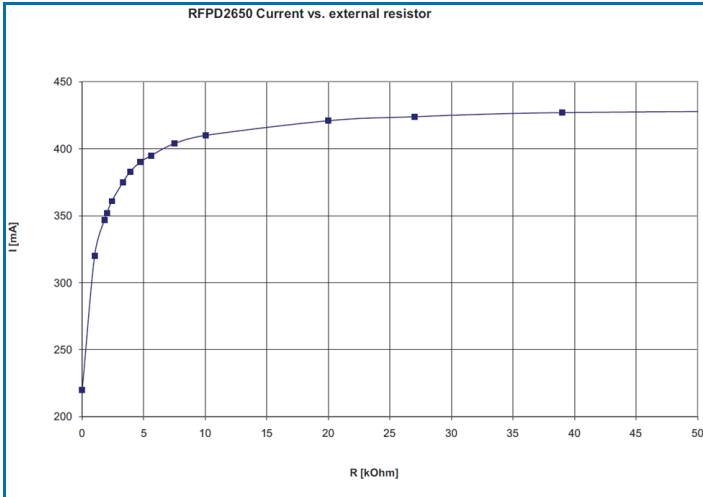
1. The slope is defined as the difference between the gain at the start frequency and the gain at the stop frequency.
2. 79 analog channels, NTSC frequency raster: 55.25MHz to 547.25MHz, +43dBmV to +52.4dBmV tilted output level, plus 75 digital channels, -6dB offset relative to the equivalent analog carrier.
3. 79 analog channels, NTSC frequency raster: 55.25MHz to 547.25MHz, +43dBmV to +50.0dBmV tilted output level, plus 75 digital channels, -6dB offset relative to the equivalent analog carrier.
4. Composite Triple Beat (CTB) - The CTB parameter is defined by the NCTA.  
Composite Second Order (CSO) - The CSO parameter (both sum and difference products) is defined by the NCTA.  
Cross Modulation (XMOD) - Cross modulation (XMOD) is measured at baseband (selective voltmeter method), referenced to 100% modulation of the carrier being tested.
- Carrier to Intermodulation Noise (CIN) - The CIN parameter is defined by ANSI/SCTE 17 (Test Procedure for carrier to noise).
5. Test condition: Pin 4 not connected

## Current Adjustment Using Hybrid Pin 4

The RFPD2650 can be operated over a wide range of current to provide maximum required performance with minimum current consumption. A single external resistor connected between pin 4 and GND allows variation of current between 430mA and 220mA (typ.). Within the recommended range of current between 430mA and 370mA gain (S21) change is less than 0.2dB and noise figure change is less than 0.1dB. If pin 4 is not connected the device operates at maximum current, see table below.

Examples of connecting pin 4:



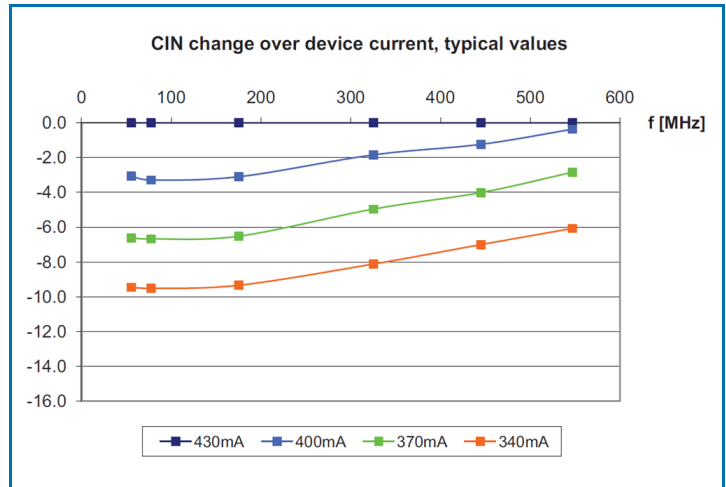
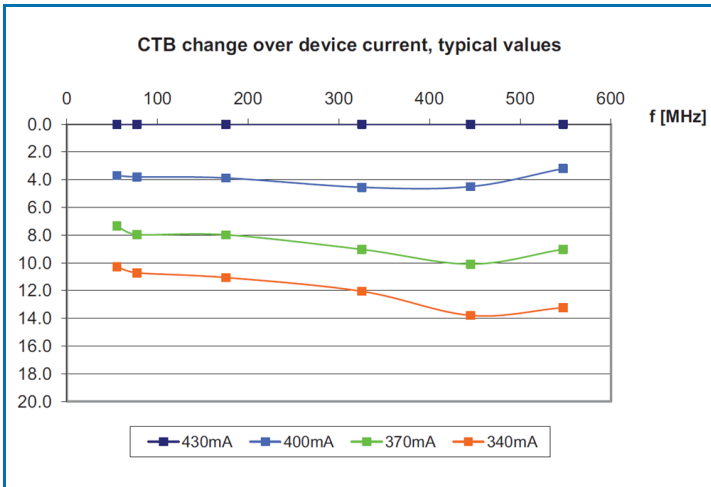


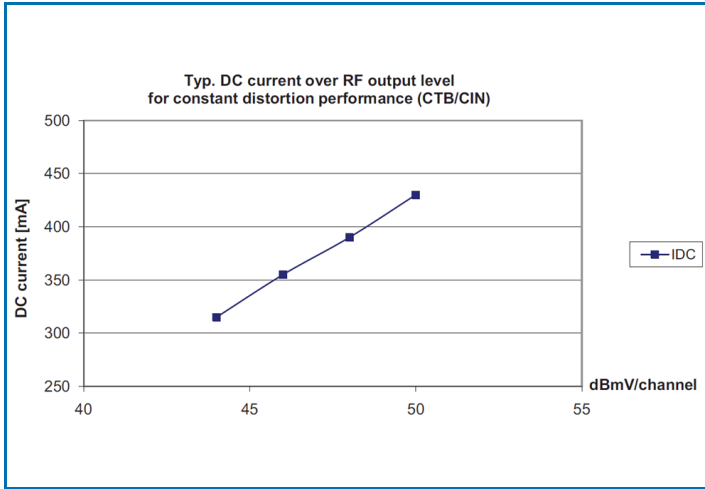
Device current [mA], typical	External resistor [ $\Omega$ ]
430	>50k (open)
420	18k
400	6k8
370	3k
340	1k8
320	1k
220	0 (short)

$V_+ = 24V$ ;  $T_{MB} = 30^\circ C$ ;  
 $Z_S = Z_L = 75\Omega$

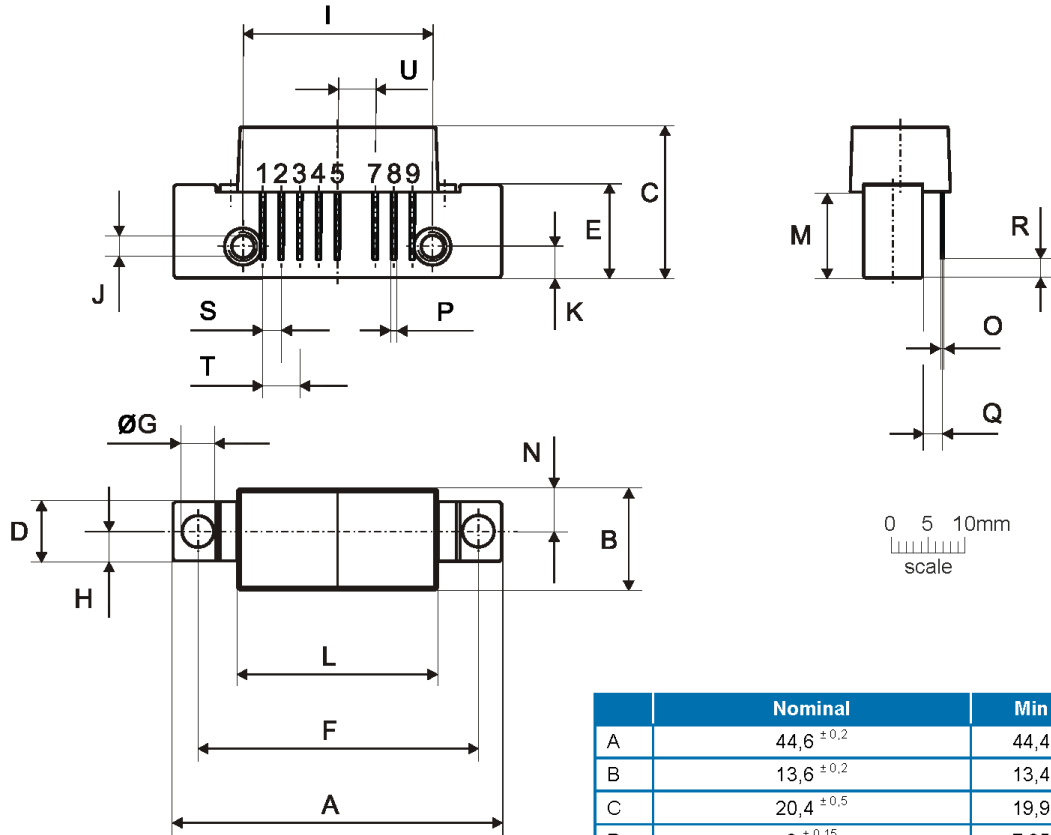
### Change of Distortion Performance Over Current

Test Condition:  $V_+ = 24V$ ;  $T_{MB} = 30^\circ C$ ;  $Z_S = Z_L = 75\Omega$ ; 79 ch. 7dB tilted;  $V_O = 50dBmV$  at 550MHz, plus 75 digital channels (-6dB offset)





Package Drawing (Dimensions in millimeters)



Notes:

European Projection

Pinning:

Pin	Name
1	Input
2-3	GND
4	IDC Adjustment
5	+VB
6	
7-8	GND
9	Output

	Nominal	Min	Max
A	44,6 ±0,2	44,4	44,8
B	13,6 ±0,2	13,4	13,8
C	20,4 ±0,5	19,9	20,9
D	8 ±0,15	7,85	8,15
E	12,6 ±0,15	12,45	12,75
F	38,1 ±0,2	37,9	38,3
G	4 +0,2/-0,05	3,95	4,2
H	4 ±0,2	3,8	4,2
I	25,4 ±0,2	25,2	25,6
J	UNC 6-32	-	-
K	4,2 ±0,2	4,0	4,4
L	27,2 ±0,2	27,0	27,4
M	11,6 ±0,5	11,1	12,1
N	5,8 ±0,4	5,4	6,2
O	0,25 ±0,02	0,23	0,27
P	0,45 ±0,03	0,42	0,48
Q	2,54 ±0,3	2,24	2,84
R	2,54 ±0,5	2,04	3,04
S	2,54 ±0,25	2,29	2,79
T	5,08 ±0,25	4,83	5,33
U	5,08 ±0,25	4,83	5,33