

## 83893 plastic safety interlock switch, no locking 838931 3-pole Part number Contact us



- Key-operated safety interlock switches for monitoring moving guards
- Plastic bodies and heads
- Heads have 4 possible positions
- Positive opening contacts

### Part numbers

	Type	Type of contacts	Action
83893 130	838931 3-pole	NC+NC+NO (NO break before make)	Slow action

### Specifications

#### Environment

Conforming to standards Products	IEC 947-5-1, EN 60 947-5-1, UL 508, CSA C22-2 no. 14, JIS C4520 (Cf P. 3/14)
Conforming to standards Machine assemblies	IEC 204-1, EN 60 204-1, EN 1088, EN 292
Certifications	UL, CSA
Protective treatment in normal operation	"TC"
Temperature Use (°C)	-25 → +70
Storage temperature (°C)	-40 → +70
Vibration resistance acc. to IEC/EN 60068-2-6	5 gn (10...500 Hz)
Schok resistance according to IEC 28-2-27	10 gn (duration 11 ms)
Degree of protection according to IEC 529 and IEC 947-5-1	IP 67
Cable entry according to NFC 68 300	One entry per cable gland 11

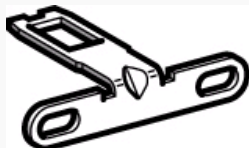
#### Electrical characteristics

Assigned working characteristics	AC 15 B300 Ue = 240 V, Ie = 3 A or Ue = 120 V, Ie = 6 A, DC 13 Q300 Ue = 250 V, Ie = 0.27 A or Ue = 125 V, Ie = 0.55 A
Assigned insulation voltage according to IEC 947-5-1	Ui = 500 V
Assigned insulation voltage according to UL 508, CSA C22-2 no.14	Ui = 300 V
Assigned impulse voltage according to IEC 947-5-1	Uimp = 6 KV
Thermal rating according to IEC 947-5-1	Ithe = 10 A
Electric shock protection Class 2 according to IEC 536	■
Resistance between terminals according to IEC 954-5-4	≤ 30 mΩ
Protection against short circuits	Cartridge fuse 10 A gG (gl)
Connection Screw clamp terminals	■
Clamping capacity with or without ferrule	min. 1 x 0,5 mm <sup>2</sup> , max. 1,5 mm <sup>2</sup>
Electrical life according to IEC 947-5-1 appendix C	■

Minimum actuation speed	0,5 m/s
Maximum actuation speed	0,01 m/s
Resistance to removal of key	10 N
Mechanical life (operating cycles)	10 <sup>6</sup>
Minimum operating frequency (operating cycles per hour)	600
Minimum positive opening force	15 N
Cable entry according to NFC 68 300	2 PG 11
Thermal current I (A)	10
Assigned insulation voltage Ui (V)	500
Weight (g)	160

### Accessories

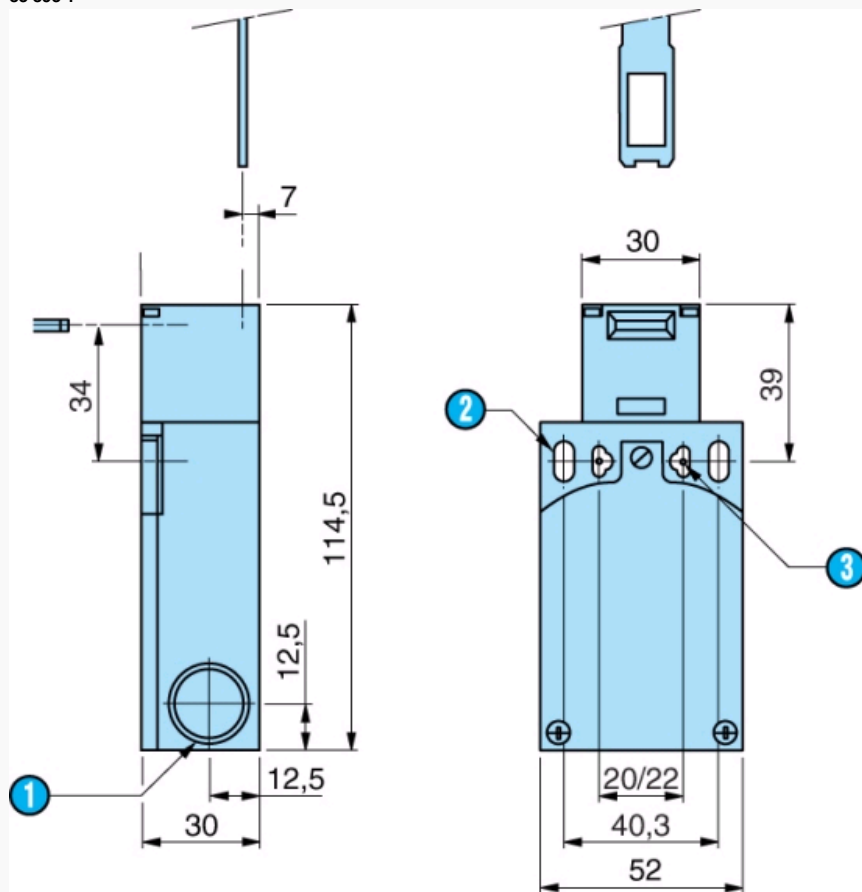
Symbol	Accessories	Code
	Straight key	79 214 581

	<p>Key with wide fixing bar</p>	<p>79 214 582</p>
	<p>Short key with wide fixing bar</p>	<p>79 214 585</p>
	<p>Angled key</p>	<p>79 214 584</p>
	<p>Flexible key</p>	<p>79 214 583</p>

Dimensions (mm)

Product

83 893 1



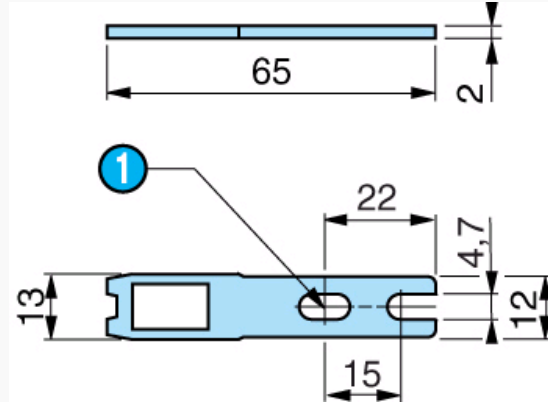
N°	Legend
----	--------

①	2 threaded holes for cable gland
②	2 slots $\varnothing 5.3 \times 13.3$
③	2 slots $\varnothing 4.3 \times 8.3$ fixing centres 22 2 slots $\varnothing 4.3$ fixing centres 20

### Dimensions (mm)

#### Actuators

##### Straight key 79 214 581

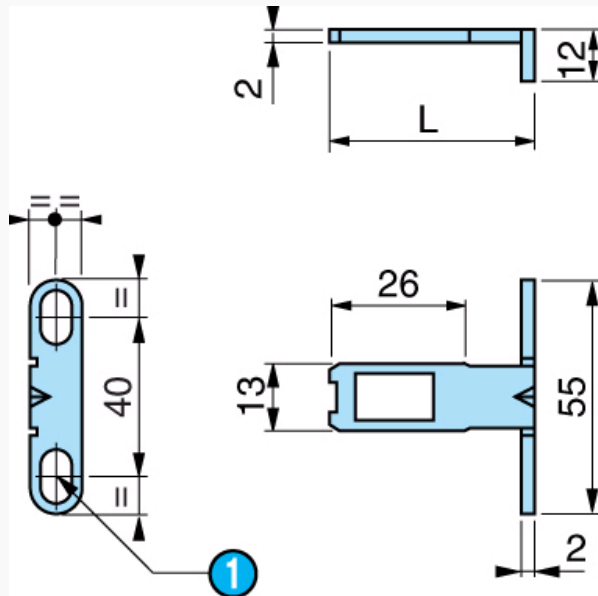


N°	Legend
①	2 slots $\varnothing 4.7 \times 10$

### Dimensions (mm)

#### Actuators

##### Key with wide fixing bar 79 214 582 / 585



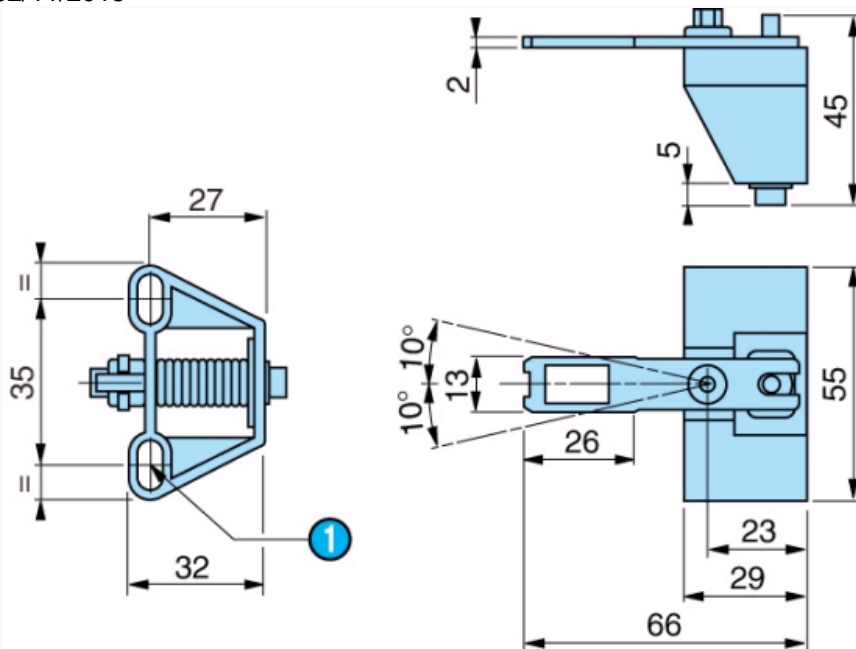
Type 79 214 582 : L = 40 mm Type 79 214 585 : L = 29 mm

N°	Legend
①	2 slots $\varnothing 4.7 \times 10$

### Dimensions (mm)

#### Actuators

##### Flexible key 79 214 583



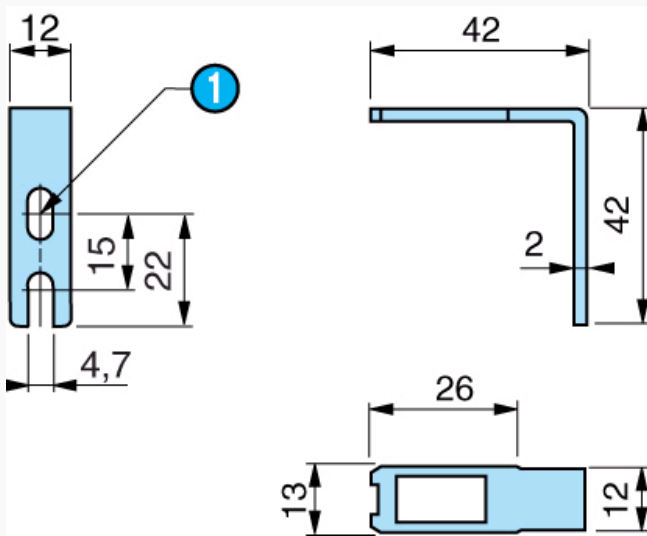
Type 79 214 582 : L = 40 mm Type 79 214 585 : L = 29 mm

N°	Legend
1	2 slots Ø 4.7 x 10

Dimensions (mm)

Actuators

Angled key  
79 241 584



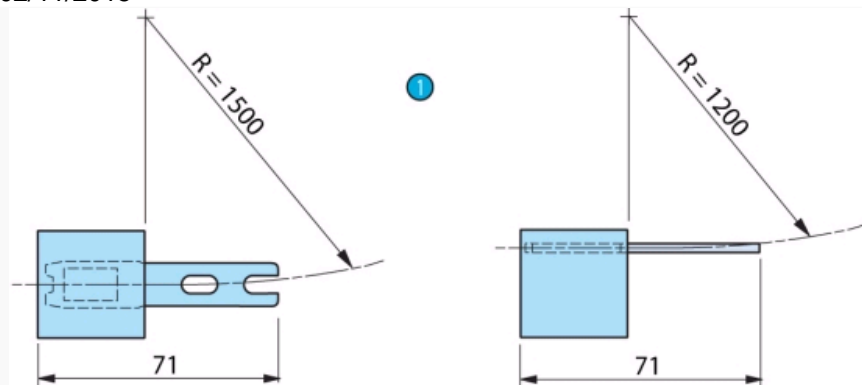
Type 79 214 582 : L = 40 mm Type 79 214 585 : L = 29 mm

N°	Legend
1	1 slot Ø 4.7 x 10

Dimensions (mm)

Operating radius

79 214 581



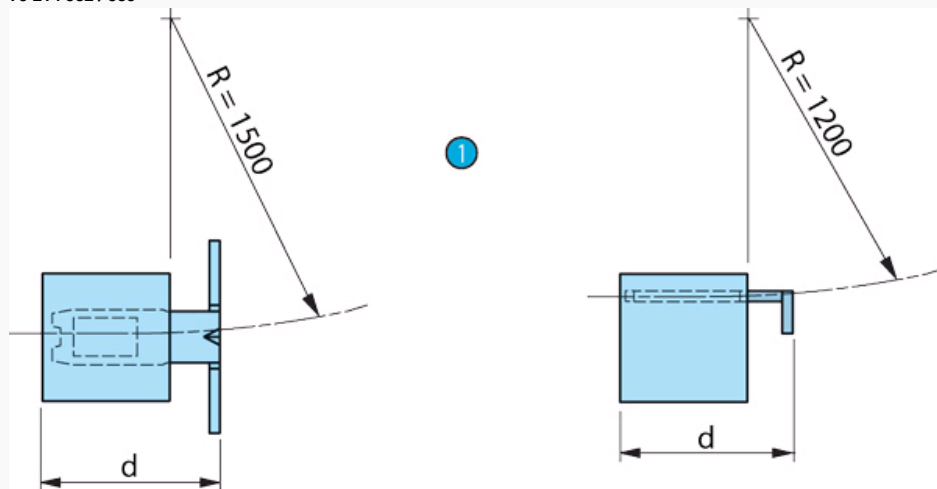
Type 79 214 582 : L = 40 mm Type 79 214 585 : L = 29 mm

N°	Legend
1	R = min. radius

**Dimensions (mm)**

Operating radius

79 214 582 / 585



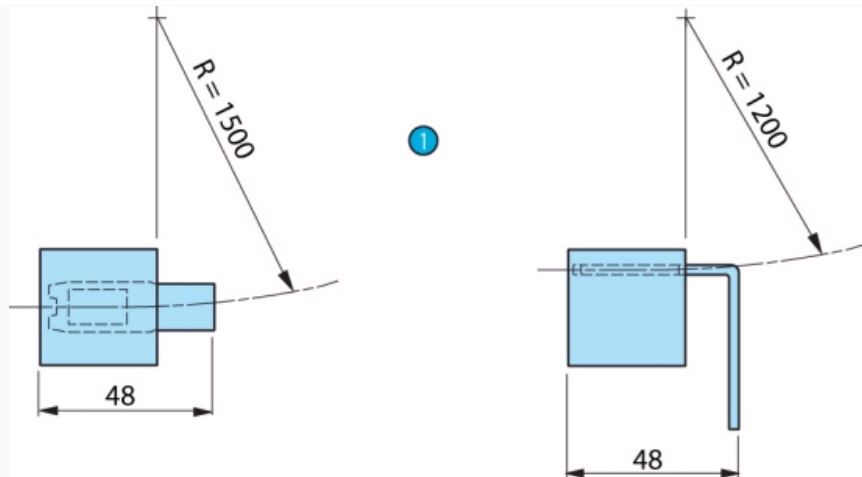
Type 79 214 582 : d = 46 mm Type 79 214 585 : d = 35 mm

N°	Legend
1	R = min. radius

**Dimensions (mm)**

Operating radius

79 214 584



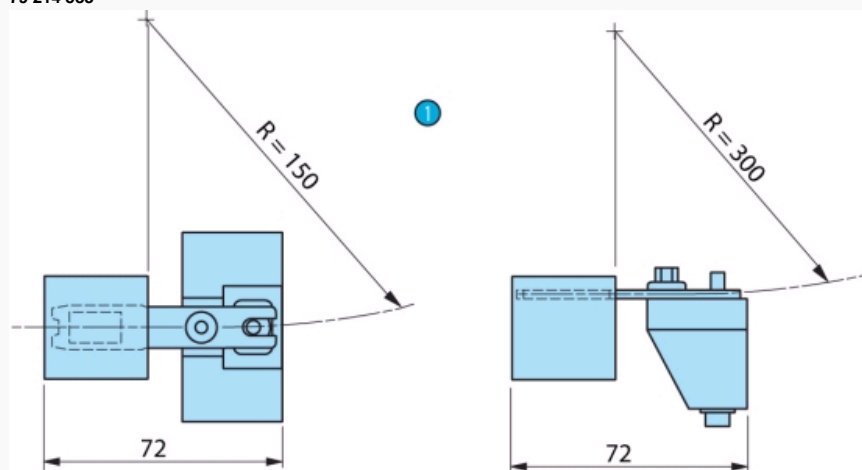
Type 79 214 582 : d = 46 mm Type 79 214 585 : d = 35 mm

N°	Legend
1	R = min. radius

**Dimensions (mm)**

**Operating radius**

79 214 583



Type 79 214 582 : d = 46 mm Type 79 214 585 : d = 35 mm

N°	Legend
1	R = min. radius