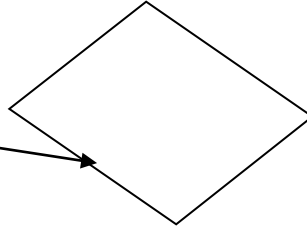
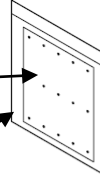


# molex® PACKAGING SPECIFICATION

88596-1546  
BUBBLE WRAP PAD INSIDE TOP  
AND BOTTOM OF CARTON  
QTY: (2)



46966-2011 OR 885961016  
YELLOW SORBENT CLOTH  
QTY: (4)

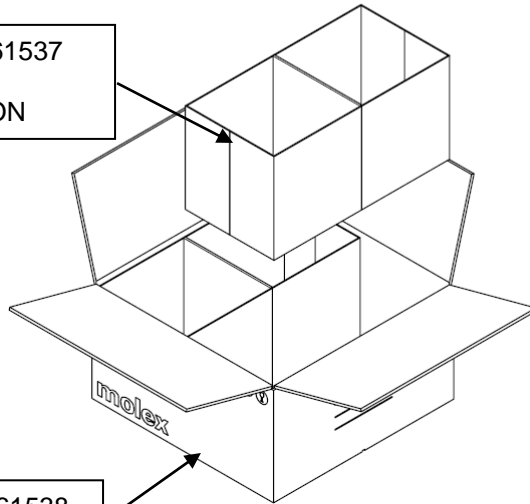


46996-2010 OR 885960969  
VENTED ZIP LOCK BAG  
QTY: (4)



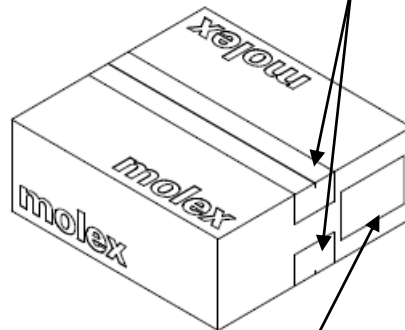
967130003  
POLYBAG, 300 X 500 FLAT  
QTY: (4)

313005940 OR 885961537  
2-CELL DIVIDER  
QTY: (2) PER CARTON



967080007 OR 885961538  
CARTON  
QTY: (1)

ADHESIVE TAPE



PRODUCT I.D. & SAFETY AGENCY LABEL

REVISION: <b>A</b>	ECR/ECN INFORMATION: EC No: 118015 DATE: 2017 / 06 / 06	TITLE: <b>BULK PACKAGING SPECIFICATION MICROFIT 200875 SERIES</b>	SHEET No. <b>1 of 2</b>
DOCUMENT NUMBER: <b>2008750000-PK</b>	CREATED / REVISED BY: <b>TGREGORI</b>	CHECKED BY: <b>TGREGORI</b>	APPROVED BY: <b>RHODGE</b>

# molex<sup>®</sup> PACKAGING SPECIFICATION

**NOTES:**

- 1) FOLD AND TAPE BOTTOM FLAPS OF CARTON. TAPE SHOULD EXTEND UP SIDES OF CARTON AT LEAST 76 MM (3 INCHES).
- 2) INSERT (2) BUBBLE WRAP PAD INSIDE TOP AND BOTTOM OF CARTON.
- 3) FOLD AND INSERT (2) 2-CELL CORRUGATED DIVIDERS INTO CARTON AS SHOWN.
- 4) POLYBAGS TO BE FILLED WITH QUANTITY OF PARTS AS SPECIFIED PER CHART.
- 5) ONE BAG OF PARTS IS TO BE INSERTED INTO EACH CELL OF CARTON.
- 6) MOISTURIZATION BAGS ARE TO BE PREPARED BY FIRST ADDING WATER TO PAD AS OUTLINED IN AS-45499-001 THEN INSERTING PAD INTO MOISTURIZATION BAG AND SEALING ZIP LOCK.
- 7) LAY MOISTURIZATION BAG DIRECTLY ON TOP OF PARTS INSIDE POLYBAG AND CLOSE POLYBAG EITHER BY HEAT SEALING OR WITH TWIST LOCK P/N 313017300.
- 8) CLOSE TOP FLAPS OF CARTON AND TAPE. TAPE SHOULD EXTEND DOWN SIDES OF CARTON AT LEAST 76 MM (3 INCHES).
- 9) ADD LABELS TO CARTONS AS REQUIRED.
- 10) FOR LARGER SHIPMENTS CARTONS MAY BE LAYERED ON A 1200 X 800 PALLET WITH (6) CARTONS PER LAYER AND A MAXIMUM OF (4) LAYERS.
- 11) CARTONS ON PALLET TO BE UNITIZED WITH BANDING AND STRETCH FILM PER PK-31301-625.

CKT SIZE	CONNECTO R MATERIAL NO.	POLYBAG LINER MATERIAL NO.(4PCS)	CARTON MATERIAL	PARTS PER BAG(x4) (SPQ)	PARTS PER CARTON (SPQ)
2	2008750002	967130003	885961483	2300	9200
3	2008750003	967130003	885961483	2000	8000
4	2008750004	967130003	885961483	1700	6800
5	2008750005	967130003	885961483	1500	6000
6	2008750006	967130003	885961483	1200	4800
7	2008750007	967130003	885961483	1000	4000
8	2008750008	967130003	885961483	TBD	TBD
9	2008750009	967130003	885961483	TBD	TBD
10	2008750010	967130003	885961483	TBD	TBD
11	2008750011	967130003	885961483	TBD	TBD
12	2008750012	967130003	885961483	TBD	TBD

<b>REVISION:</b> <b>A</b>	<b>ECR/ECN INFORMATION:</b> EC No: 118015 DATE: 2017 / 06 / 06	<b>TITLE:</b> <b>BULK PACKAGING SPECIFICATION MICROFIT 200875 SERIES</b>	<b>SHEET No.</b> <b>2 of 2</b>
<b>DOCUMENT NUMBER:</b> <b>2008750000-PK</b>	<b>CREATED / REVISED BY:</b> <b>TGREGORI</b>	<b>CHECKED BY:</b> <b>TGREGORI</b>	<b>APPROVED BY:</b> <b>RHODGE</b>