

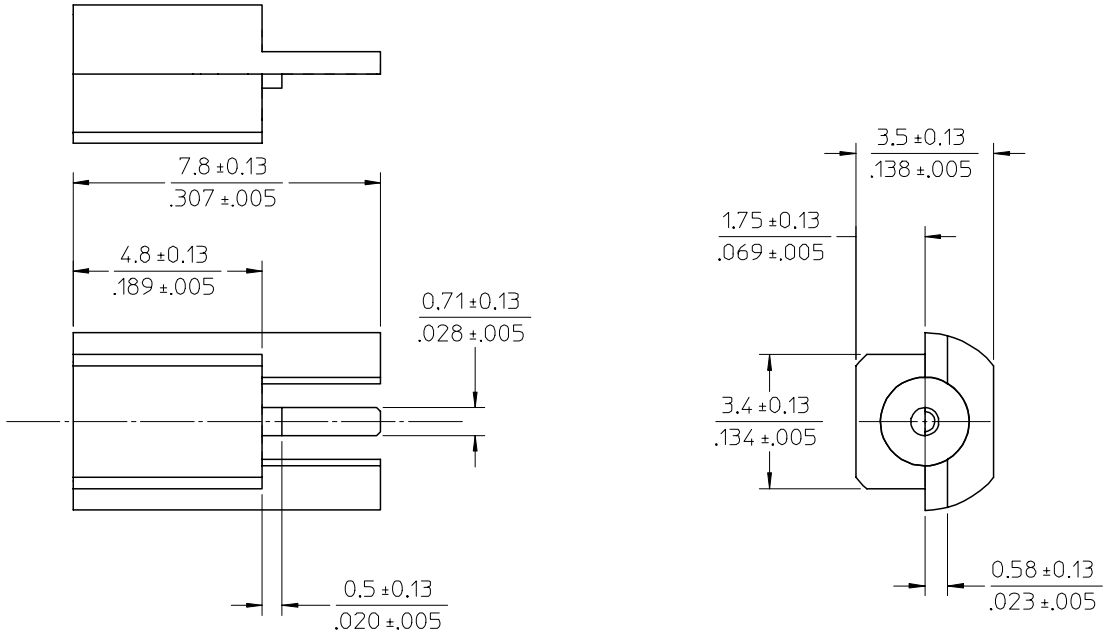
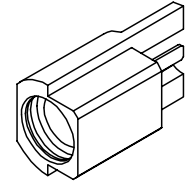
10 9 8 7 6 5 4 3 2 1

MATERIALS AND FINISHES

BODY  
BRASS  
PLATED GOLD

CENTER CONTACT  
BERYLLIUM COPPER  
PLATED GOLD

INSULATOR  
TEFLON



2	ES-7599-0000-0160	INTERFACE
1	PS-89675-1910	ELECTRO/MECH PERFORMANCE
	PART	DESCRIPTION

3	73415-1262	PER COMMERCIAL REQUIREMENT	TAPE & REEL(SEE SHEET 2)
2	73415-1261	PER COMMERCIAL REQUIREMENT	TRAY
1	73415-1260	PER MILITARY REQUIREMENTS	TRAY
	PART	PLATING	PACKAGE

CHG:ADD 734151262 WITH TAP & REEL EC No: JRF 2005-0768 DRAWN: JSAO 2005/05/09 CHKD: 2005/05/09 APPR: MIUANG 2005/05/09	QUALITY SYMBOLS	GENERAL TOLERANCES (UNLESS SPECIFIED)	DIMENSION STYLE	SCALE	DESIGN UNITS	THIRD ANGLE PROJECTION
	$\nabla=0$ $\nabla C=0$	4 PLACES $\pm$ --- $\pm$ --- 3 PLACES $\pm$ --- $\pm$ --- 2 PLACES $\pm 0.15$ $\pm$ --- 1 PLACE $\pm 0.25$ $\pm$ --- ANGULAR $\pm 2^\circ$	MM/IN	1:1	METRIC	
	DRAWN BY: JOHN CHECKED BY: KERRIE APPROVED BY: MISEN DATE: 2005/02/14	TITLE: MMCX JACK EDGE LAUNCHER MMCX-J/PCB				
	MATERIAL NO. DOCUMENT NO. SD-73415-126 SHEET NO. 1 OF 2	MOLEX INCORPORATED				

DRAFT WHERE APPLICABLE MUST REMAIN WITHIN DIMENSIONS

SEE TABLE

THIS DRAWING CONTAINS INFORMATION THAT IS PROPRIETARY TO MOLEX INCORPORATED AND SHOULD NOT BE USED WITHOUT WRITTEN PERMISSION

9 8 7 6 5 4 3 2 1

10 9 8 7 6 5 4 3 2 1

F

F

E

E

D

D

C

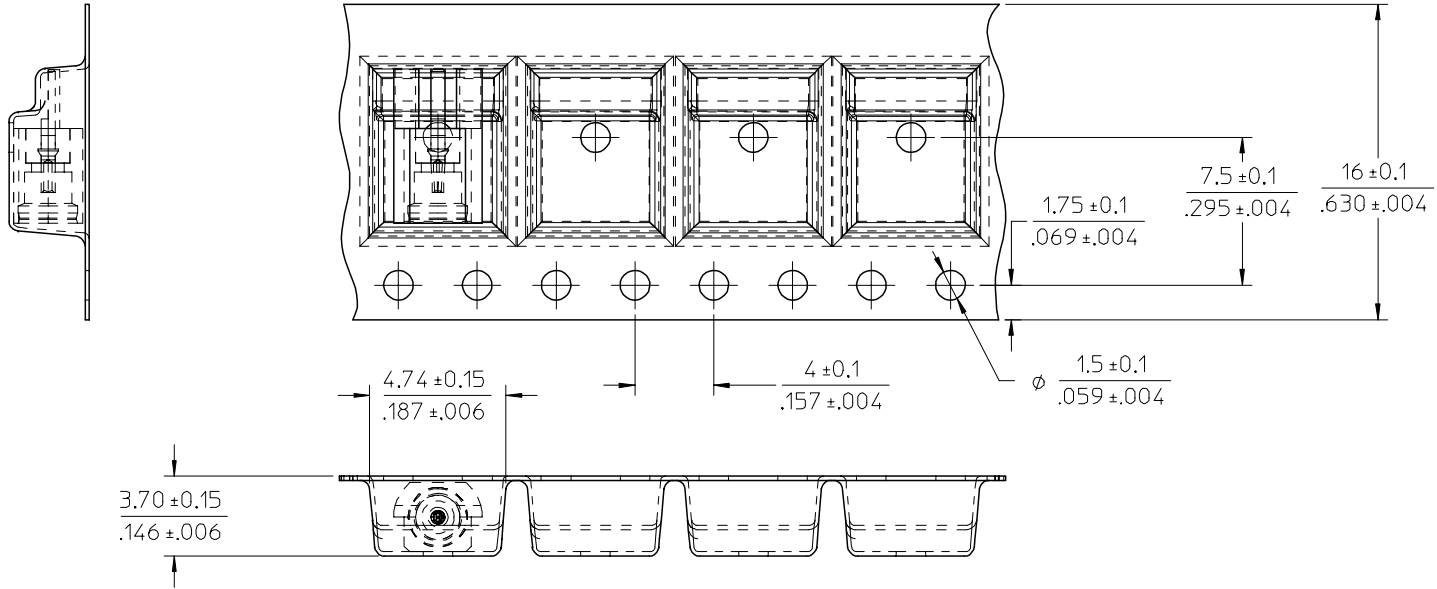
C

B

B

A

A

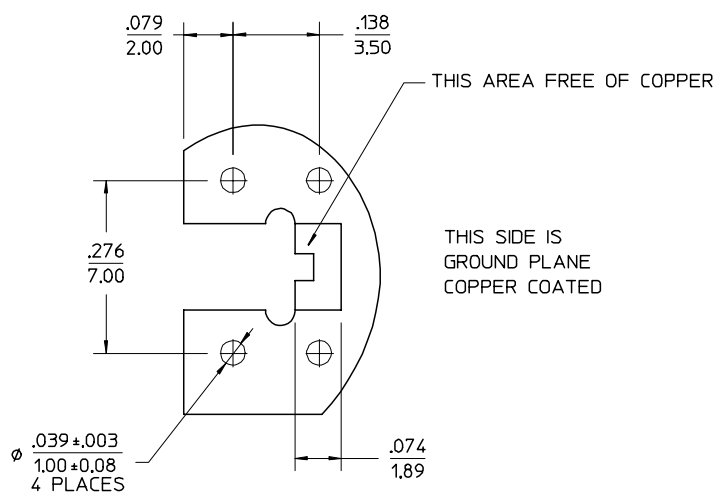
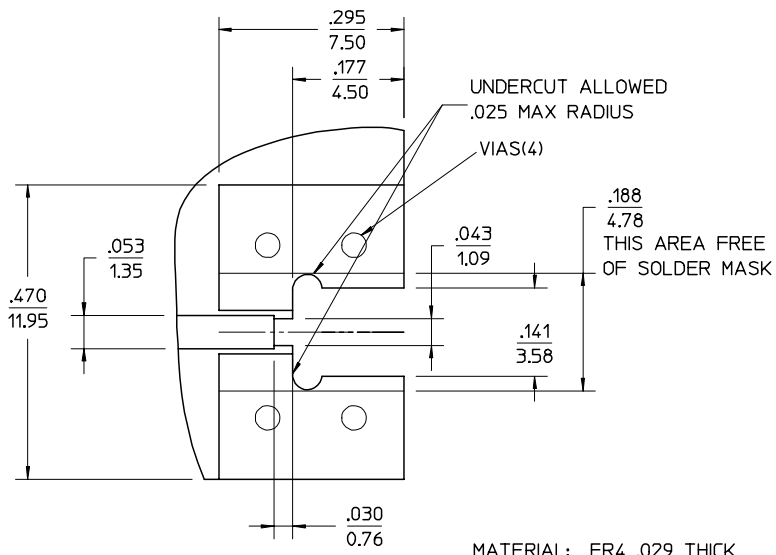


NOTES:

- 1500 CONNECTORS PER REEL ON 330mm(13 inch) REEL. 16mm TAPE, 8mm CAVITY PITCH.
- 10 PITCHS CUMULATIVE TOLERANCE  $\pm 2.20(.008)$
- PART NO. 73415-1262

CHG:ADD 734151262 WITH TAP & REEL EC No: JRF 2005-0768 DRAWN: JTSAO 2005/05/05 CHKD: 2005/05/09 APPR: MIUANG 2005/05/09	QUALITY SYMBOLS	GENERAL TOLERANCES (UNLESS SPECIFIED)	DIMENSION STYLE	SCALE	DESIGN UNITS	THIRD ANGLE PROJECTION																		
	$\nabla = 0$ $\nabla C = 0$	<table border="1"> <thead> <tr> <th></th> <th>mm</th> <th>INCH</th> </tr> </thead> <tbody> <tr> <td>4 PLACES</td> <td><math>\pm</math> ---</td> <td><math>\pm</math> ---</td> </tr> <tr> <td>3 PLACES</td> <td><math>\pm</math> ---</td> <td><math>\pm</math> ---</td> </tr> <tr> <td>2 PLACES</td> <td><math>\pm 0.15</math></td> <td><math>\pm</math> ---</td> </tr> <tr> <td>1 PLACE</td> <td><math>\pm 0.25</math></td> <td><math>\pm</math> ---</td> </tr> <tr> <td colspan="3">ANGULAR <math>\pm 2^\circ</math></td> </tr> </tbody> </table>		mm	INCH	4 PLACES	$\pm$ ---	$\pm$ ---	3 PLACES	$\pm$ ---	$\pm$ ---	2 PLACES	$\pm 0.15$	$\pm$ ---	1 PLACE	$\pm 0.25$	$\pm$ ---	ANGULAR $\pm 2^\circ$			MM/IN	1:1	METRIC	
		mm	INCH																					
	4 PLACES	$\pm$ ---	$\pm$ ---																					
3 PLACES	$\pm$ ---	$\pm$ ---																						
2 PLACES	$\pm 0.15$	$\pm$ ---																						
1 PLACE	$\pm 0.25$	$\pm$ ---																						
ANGULAR $\pm 2^\circ$																								
DESCRIPTION	DRAWN BY	DATE	TITLE																					
REV	JOHN	2005/02/14	MMCX JACK EDGE LAUNCHER MMCX-J/PCB																					
	CHECKED BY	DATE	MATERIAL NO.																					
	KERRIE	2005/02/14	SEE SHEET 1																					
	APPROVED BY	DATE	DOCUMENT NO.																					
	MISEN	2005/02/14	SD-73415-126																					
			MATERIAL NO.		SHEET NO.																			
			SD-73415-126		2 OF 2																			
	THIS DRAWING CONTAINS INFORMATION THAT IS PROPRIETARY TO MOLEX INCORPORATED AND SHOULD NOT BE USED WITHOUT WRITTEN PERMISSION																							

9 8 7 6 5 4 3 2 1



MATERIAL: FR4 .029 THICK

ENTER DESCRIPTION EC NO: URF2005-0275 DRAWN: JSAO 2005/01/24 CHKD: JOHNSON 2005/01/27 APPR: MUANG 2005/01/27	QUALITY SYMBOLS = 0 = 0	GENERAL TOLERANCES (UNLESS SPECIFIED)		DIMENSION STYLE IN/MM	SCALE ---	DESIGN UNITS METRIC	THIRD ANGLE PROJECTION		
		4 PLACES ± --- ± ---	4 PLACES ± --- ± ---	DRAWN BY JOHN	DATE 2004/10/04	TITLE MMCX JACK, EDGE LAUNCHER MMCX-J/PCB			
		3 PLACES ± 0.05 ± ---	3 PLACES ± 0.05 ± ---	CHECKED BY PAT	DATE 2004/10/04	MOLEX INCORPORATED			
		2 PLACES ± 0.08 ± ---	2 PLACES ± 0.08 ± ---	APPROVED BY MISEN	DATE 2004/10/04	DOCUMENT NO. SD-73415-126	SHEET NO. 2 OF 02		
1 PLACE ± 0.10 ± ---	1 PLACE ± 0.10 ± ---	ANGULAR ± 2 °		MATERIAL NO. SEE TABLE					
C1	REV	DRAFT WHERE APPLICABLE MUST REMAIN WITHIN DIMENSIONS		SIZE A3		THIS DRAWING CONTAINS INFORMATION THAT IS PROPRIETARY TO MOLEX INCORPORATED AND SHOULD NOT BE USED WITHOUT WRITTEN PERMISSION			