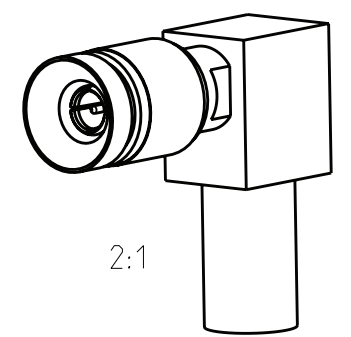
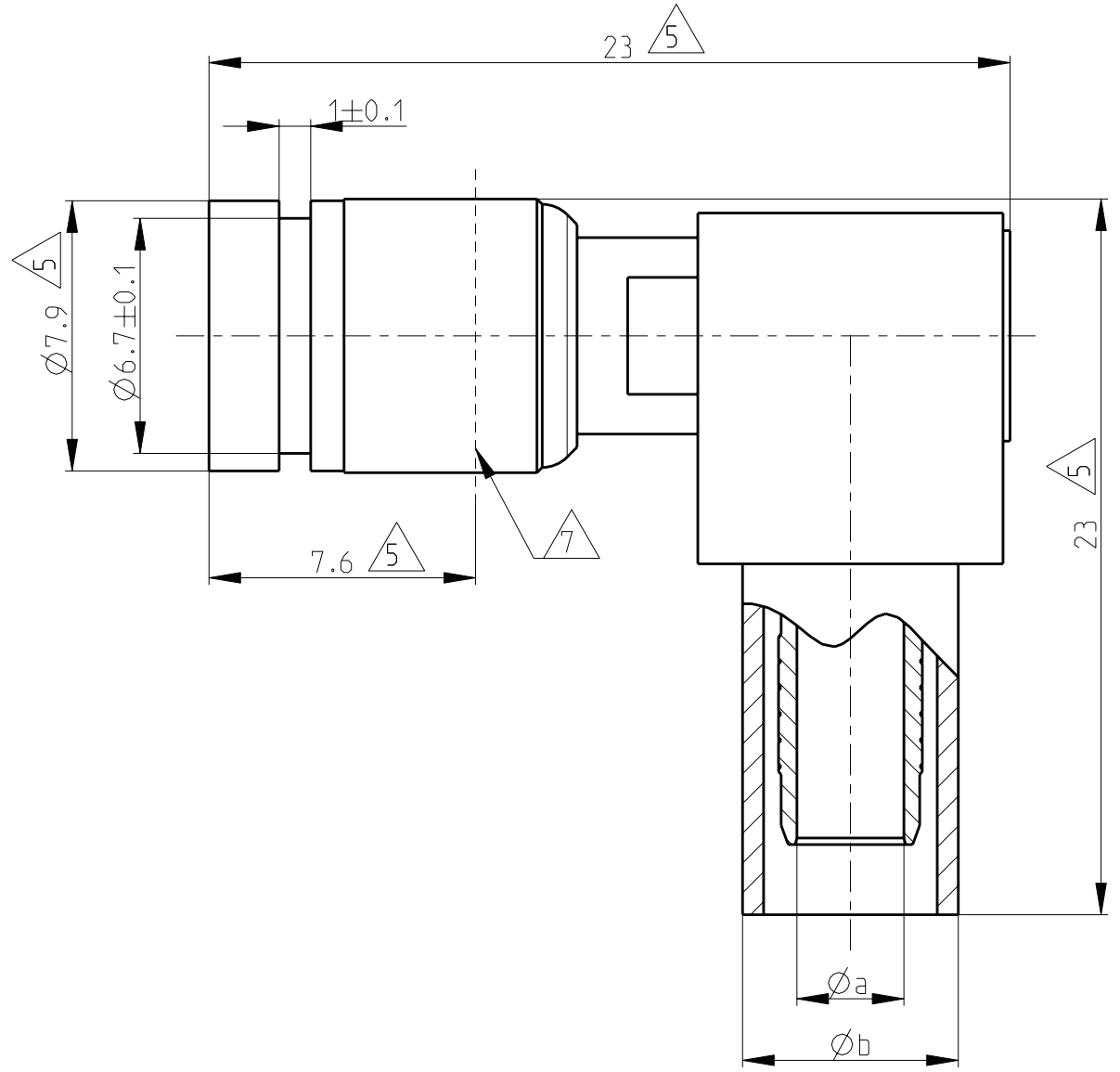


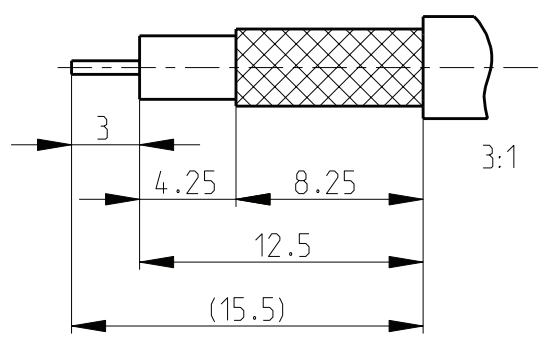
THIS DRAWING IS UNPUBLISHED. RELEASED FOR PUBLICATION
 © COPYRIGHT - BY TYCO ELECTRONICS CORPORATION. ALL RIGHTS RESERVED.

LOC	DIST	REVISIONS			
P	LTR	DESCRIPTION	DATE	DWN	APVD
IS	-				
	0	-	16FEB2005	FH	RL
	A	Released	24MAY2006	AN	DB

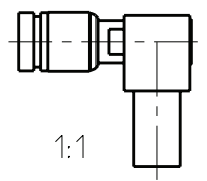


- Dimensions of mating face according to IEC 169-29 and CECC 22230.
 - Contact part: Copper Beryllium.
Contact surface: Gold.
Insulation parts: PTFE.
 - Center conductor: soldered.
Outer conductor: crimped (for crimp die see table).
 - Packaging: multi packaging per 100 pieces.
- 5 Max. dimensions.
 - 6 DIN ISO 8015: DIN ISO 2768 m-R.
 - 7 Mechanical reference plane

STRIPPING DIMENSIONS



1460817-1	RA-7000	3.05	6.1	5.18
Tyco P/N	Cable type	Dim a	Dim b	Crimp hex



<small>THIS DRAWING IS A CONTROLLED DOCUMENT FOR TYCO ELECTRONICS CORPORATION IT IS SUBJECT TO CHANGE AND THE CONTROLLING ENGINEERING ORGANIZATION SHOULD BE CONTACTED FOR THE LATEST REVISION.</small>		DWN F.Hellin 16FEB2005 CHK F.Hellin 16FEB2005 APVD R.Leeman PRODUCT SPEC APPLICATION SPEC WEIGHT -		tyco Electronics tyco Electronics CH - Switzerland - Lugano	
DIMENSIONS: mm 		TOLERANCES UNLESS OTHERWISE SPECIFIED: 0 PLC ± 1 PLC ± 2 PLC ± 3 PLC ± 4 PLC ± ANGLES ± FINISH see table		NAME Right Angle Cable Plug 1.0/2.3 Snap-lock, Z=75 Ohm	
MATERIAL see table		CUSTOMER DRAWING		SIZE A3 CAGE CODE 00779 DRAWING NO. 1460817 RESTRICTED TO -	
		SCALE 5:1		SHEET 1 OF 1 REV A	