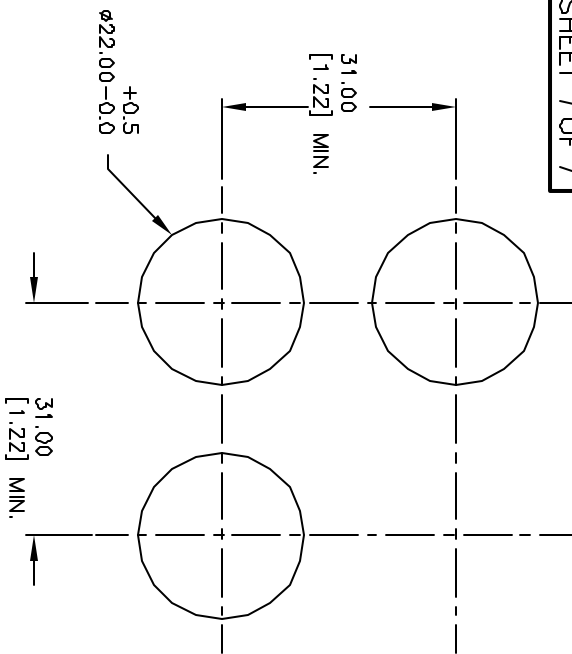


PARTS LIST		Part No.
Item	Qty.	Dwg. No.
1	1	F051701
2	1	F060610
3	1	F060291



RECOMMENDED PANEL MOUNTING

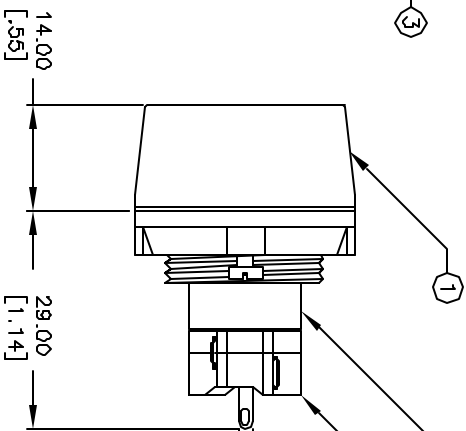
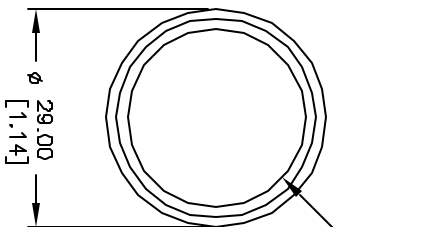
1 0 1 0 2
3 0 0 4
a-L-b (+)

SPST
CONTACT CONFIGURATION

NOTES:

1. ALL DIMENSIONS IN MM [INCH]
2. GENERAL TOLERANCE: X.X=±0.4
3. RATINGS: 250VAC ϕ 1A, 2A, 4A, 5A

XXX=±0.25



2.00 X 1.00 SLOT
TERMINAL TYP.



E-SWITCH ®

LASQAU110BLU

A	13238	RELEASED FOR PRODUCTION	6/25/03	AR
REV.	ECN No.	DESCRIPTION	DATE	CHKD

TITLE	SCALE	DATE	DR	DWG	REV
LASQAU110BLU	1:1	6/25/03	AR	XF0559P	A

THE INFORMATION CONTAINED IN THIS DOCUMENT IS PROPRIETARY TO E-SWITCH AND IS NOT TO BE COPIED OR TRANSFERRED