

This document is the property of Amphenol Corporation and is delivered on the express condition that it is not to be disclosed, reproduced or used, in whole or in part, for manufacture or sale by anyone other than Amphenol Corporation without its prior consent, and that no right is granted to disclose or to use any information in this document.

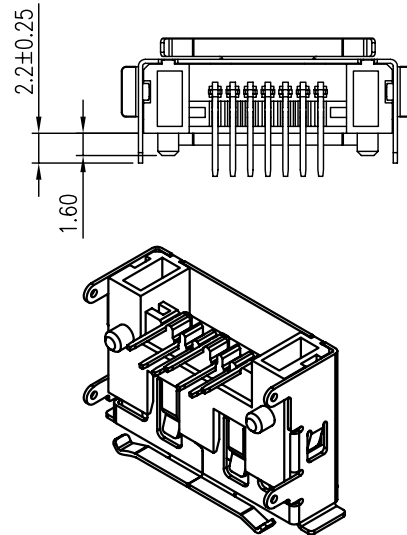
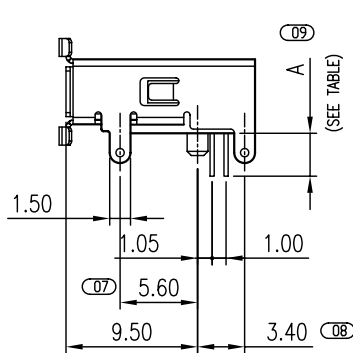
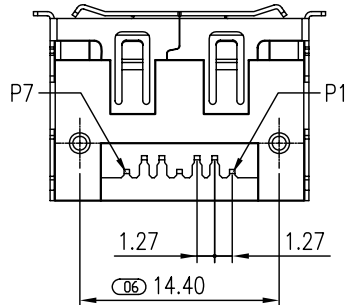
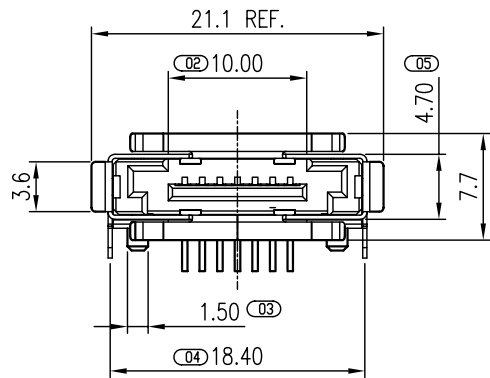
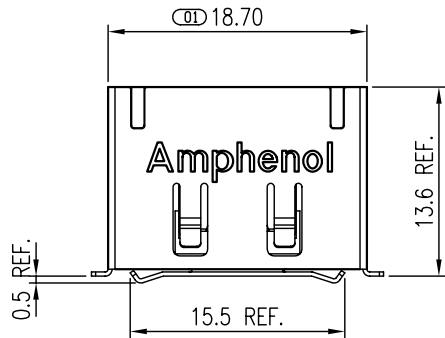
The marking on this product doesn't contain environmental hazardous materials per Material Specification SS-00259 for Sony GP compliant or per directive 2002/95/EC for RoHS compliant.



CUSTOMER DRAWING ORIGINAL



REVISIONS				
SYM	ECN No.	DESCRIPTION	DATE	BY
A		RELEASE TO PRODUCTION	07/12/2007	Hank Hsu
B	NE-08016	MODIFIED TITLE	11/09/2007	Hank Hsu
C	NE-08187	ADD TERMINAL STYLE	05/22/2008	Hank Hsu
D	NE-08244	ADD P1&P7 MARKED	07/09/2008	Hank Hsu
E	NE-09009	MODIFIED PART NO	01/14/2009	Hank Hsu
F	NE-11007	ADD QC CHECKED MARKED	01/17/2011	Chenny Yeh



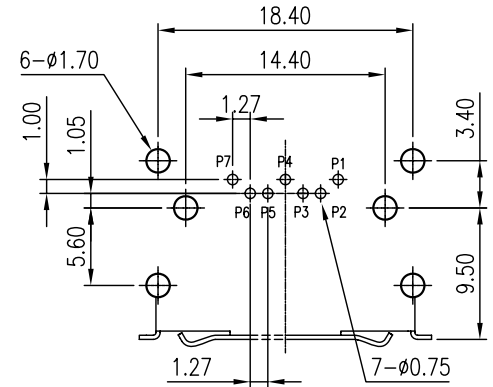
P/N SYSTEM:
G09 1 1 X X 3 0 X X LF

CONTACT FINISH:
0: CONTACT:GOLD FLASH; SHELL:NICKEL PLATING
2: CONTACT:30u" GOLD; SHELL:TIN PLATING
3: CONTACT:30u" GOLD; SHELL:NICKEL PLATING + GOLD FLASH
4: CONTACT:30u" GOLD; SHELL:NICKEL PLATING
5: CONTACT:15u" GOLD; SHELL:NICKEL PLATING
6: CONTACT:GOLD FLASH; SHELL:TIN PLATING
7: CONTACT:GOLD FLASH; SHELL:NICKEL PLATING + GOLD FLASH
8: CONTACT:15u" GOLD; SHELL:NICKEL PLATING + GOLD FLASH

EXTENSION CODE:
BLANK: AMPHEMOL LOGO
A: W/O LOGO

PACKAGING CODE:
0: TAPE AND RELL PACKING
1: TRAY PACKAGING
2: TUBE PACKAGING

TERMINAL STYLE:
2: DIP TYPE
8: DIP TYPE(FOR 1.30mm PCB)



RECOMMENDED PCB LAYOUT (TOP VIEW)
(ALL TOLERANCE ARE ±0.05)

- NOTES:
- MATERIAL:
HOUSING: HIGH TEMPERATURE THERMO PLASTIC UL94V-0
TERMINAL: COPPER ALLOY
SHELL: COPPER ALLOY
 - FINISH:
TERMINAL:
CONTACT AREA: SELECTIVE GOLD PL.
SOLDERING AREA: MATT TIN PL. 100 μ" THK MIN.
UNDER PL.: NICKEL PL. 50 μ" THK MIN.
SHELLL:
NICKEL PLATED
 - THIS PRODUCT DOESN'T CONTAIN ENVIRONMENTAL HAZARDOUS MATERIALS PER MATERIAL SPECIFICATION SS-00259 FOR SONY GP
 - THE DIMENSIONS MARKED (N) WILL BE CHECKED BY Q.C. AND PROCESS ENGINEERS.
 - PACKING PER AMTA PACKING SPECIFICATION PKS-0001

G0911X830XXLF	2.05±0.2
G0911X230XXLF	3.10±0.25
PART NUMBER	A

TOLERANCE m/m	APPROVALS	DATE	TITLE	Amphenol® Amphenol Corporation Amphenol Taiwan Corporation	
x. ±0.30	DRAWN Chenny Yeh	1/17/11	G09 SERIES E-SATA CONNECTOR PLUG, 7-POS. R/A DIP, NORMAL	SCALE	N.A.
x.x ±0.25	CHECKED Sondra Sang	1/17/11		SHEET	1 OF 2
x.xx ±0.15	APPROVED Hank Hsu	1/17/11		DWG. NO.	T473-G0911X230XXLF-29
x.xxx ±0.08			SIZE	A4	REV.
ANGULAR ±2°			PART NO.	G09 11XX 30XX LF	F
UNLESS OTHERWISE SPECIFIED			UNIT	MM	

This document is the property of Amphenol Corporation and is delivered on the express condition that it is not to be disclosed, reproduced or used, in whole or in part, for manufacture or sale by anyone other than Amphenol Corporation without its prior consent, and that no right is granted to disclose or to use any information in this document.

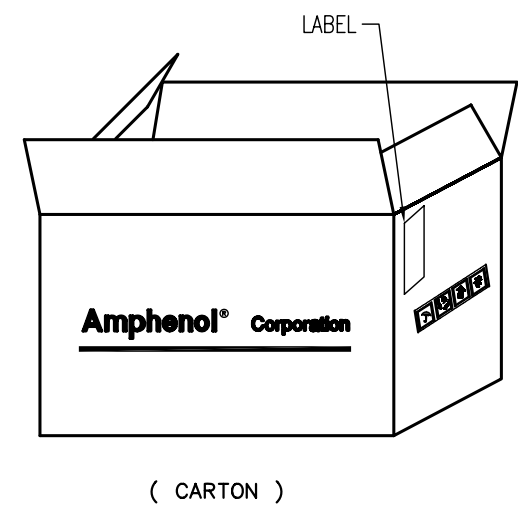
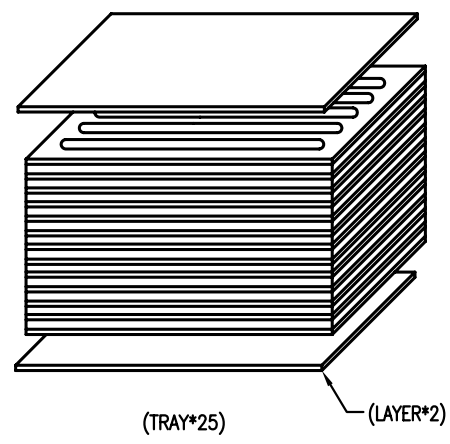
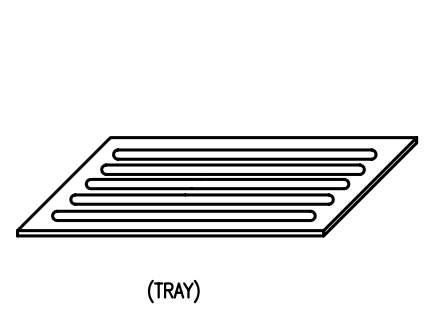
The marking on this product doesn't contain environmental hazardous materials per Material Specification SS-00259 for Sony GP compliant or per directive 2002/95/EC for RoHS compliant.



CUSTOMER DRAWING ORIGINAL



REVISIONS				
SYM	ECN No.	DESCRIPTION	DATE	APPROVED
A		RELEASE TO PRODUCTION	07/12/2007	Hank Hsu
B	NE-08016	MODIFIED TITLE	11/09/2007	Hank Hsu
C	NE-08187	ADD TERMINAL STYLE	05/22/2008	Hank Hsu
D	NE-08244	ADD P1&P7 MARKED	07/09/2008	Hank Hsu
E	NE-09009	MODIFIED PART NO	01/14/2009	Hank Hsu
F	NE-11007	ADD QC CHECKED MARKED	01/17/2011	Chenny Yeh



P/N : G0911X230XXLF
Q'TY : 2500
P/O : 411-012345-001
DATE : 06 / 31 / 2007
G.W : 15.00 KG GP
Amphenol Taiwan Corporation

LABEL

PART NO.	PCS/TRAY	TRAY/CARTON	PCS/CARTON	PE BAG	LAYER
G09 SERIES	100	25	2500	1	2

(* *) FOR REFERENCE

TOLERANCE m/m	APPROVALS	DATE	TITLE		Amphenol® Amphenol Corporation Amphenol Taiwan Corporation
x. ±0.30	DRAWN Chenny Yeh	1/17/11	G09 SERIES E-SATA CONNECTOR PLUG, 7-POS. R/A DIP, NORMAL		
x.x ±0.25	CHECKED Sondra Sang	1/17/11			
x.xx ±0.15	APPROVED Hank Hsu	1/17/11			
x.xxx ±0.08			SCALE	N.A.	SHEET 2 OF 2
ANGULAR ±2°			UNIT	MM	
UNLESS OTHERWISE SPECIFIED			SIZE	A4	PART NO. G09 11XX 30XX LF
			DWG NO.	T473-G0911X230XXLF-29	REV. F