

THIS DRAWING IS UNPUBLISHED.

RELEASED FOR PUBLICATION

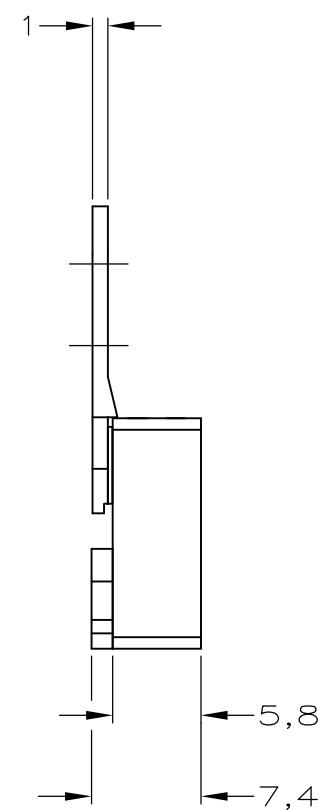
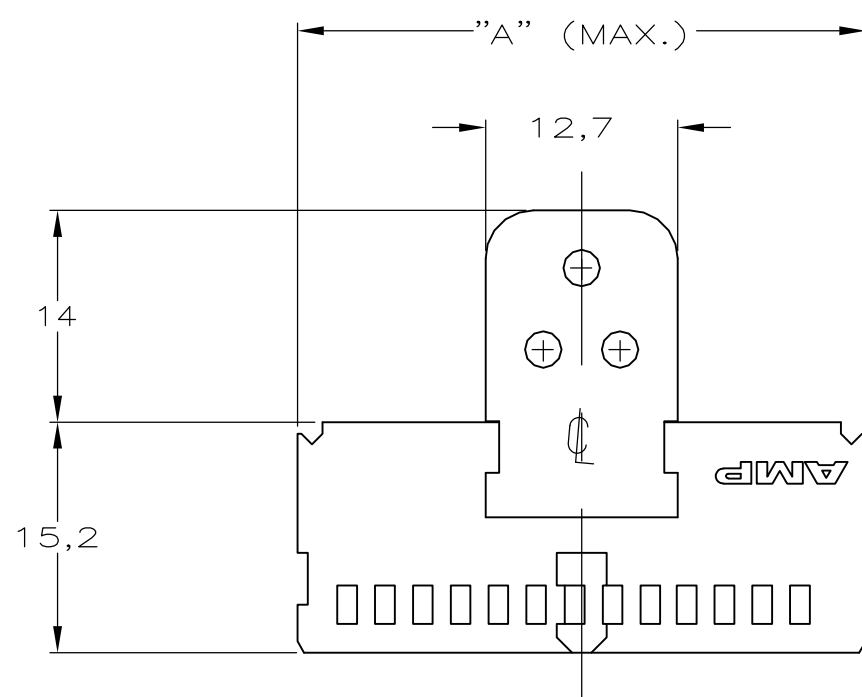
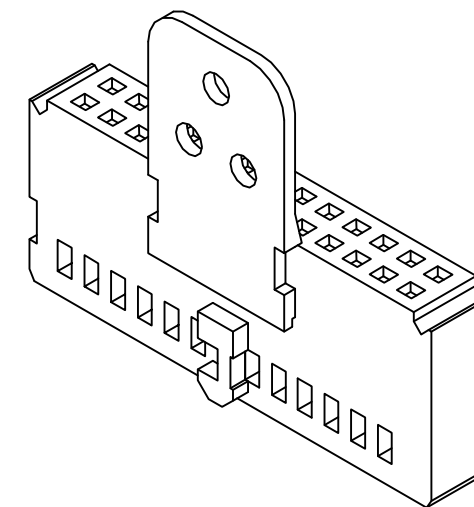
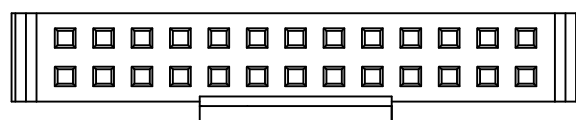
-. -. .

© COPYRIGHT - By -

ALL RIGHTS RESERVED.

LOC	DIST	REVISIONS			
P	LTR	DESCRIPTION	DATE	DWN	APVD
H	-				
	A	P/N 216038-6 REACTIVATED	11FEB2013	SMT	RP

1 OBSOLETE PARTS: OBSOLETE CIS STREAMLINING
PER D.RENAUD/D.SINISI



1 OBSOLETE

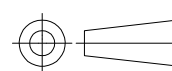
3.380 (85.85)	64	1-216038-2
3.180 (80.77)	60	1-216038-1
2.680 (68.07)	50	1-216038-0
2.380 (60.45)	44	1-216038-3
2.180 (55.37)	40	216038-9
1.880 (47.75)	34	216038-8
1.680 (42.67)	30	216038-7
1.480 (37.59)	26	216038-6
1.380 (35.05)	24	216038-5
1.180 (29.97)	20	216038-4
.980 (24.89)	16	216038-3
.880 (22.35)	14	216038-2
.680 (17.27)	10	216038-1
DIM. "A"	NO. OF POS.	PARTNUMBER

THIS DRAWING IS A CONTROLLED DOCUMENT.

DWN L.V.D.HEYDEN 08.06.1988

DIMENSIONS: mm

TOLERANCES UNLESS OTHERWISE SPECIFIED:



±0,2	
0 PLC ± -	
1 PLC ± -	
2 PLC ± -	
3 PLC ± -	
4 PLC ± -	
ANGLES ± -	

MATERIAL -

FINISH -

CHK R.ANNOKKEE

APVD L.V.SOEST

PRODUCT SPEC

APPLICATION SPEC

WEIGHT -

CUSTOMER DRAWING



NAME HSG ASSY MOD IV DUAL ROW
.100CL WITH STRAIN RELIEF

SIZE	CAGE CODE	DRAWING NO	RESTRICTED TO
A3	00779	C-216038	-

SCALE	SHEET	REV
1:2	1 OF 1	A