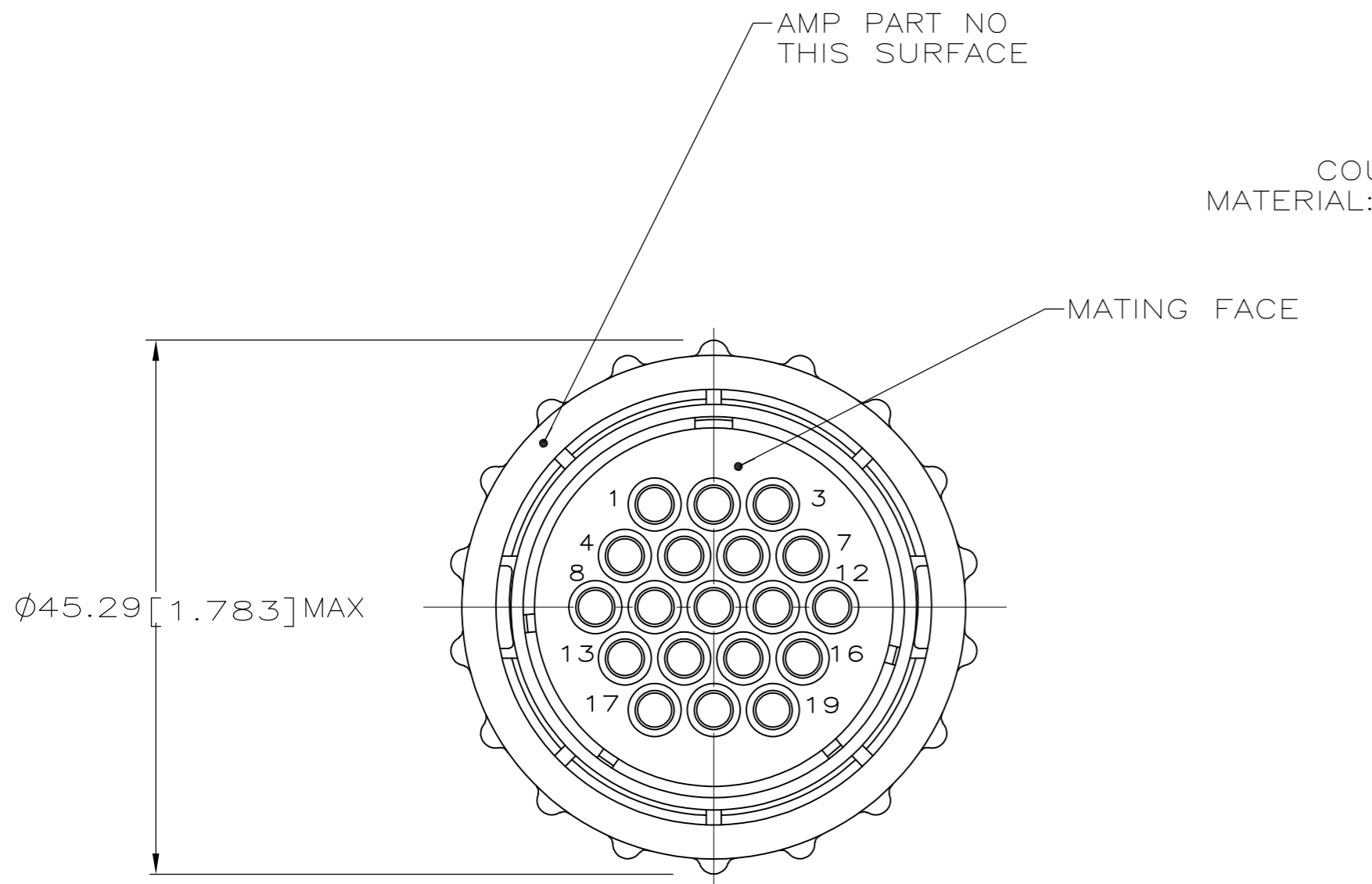


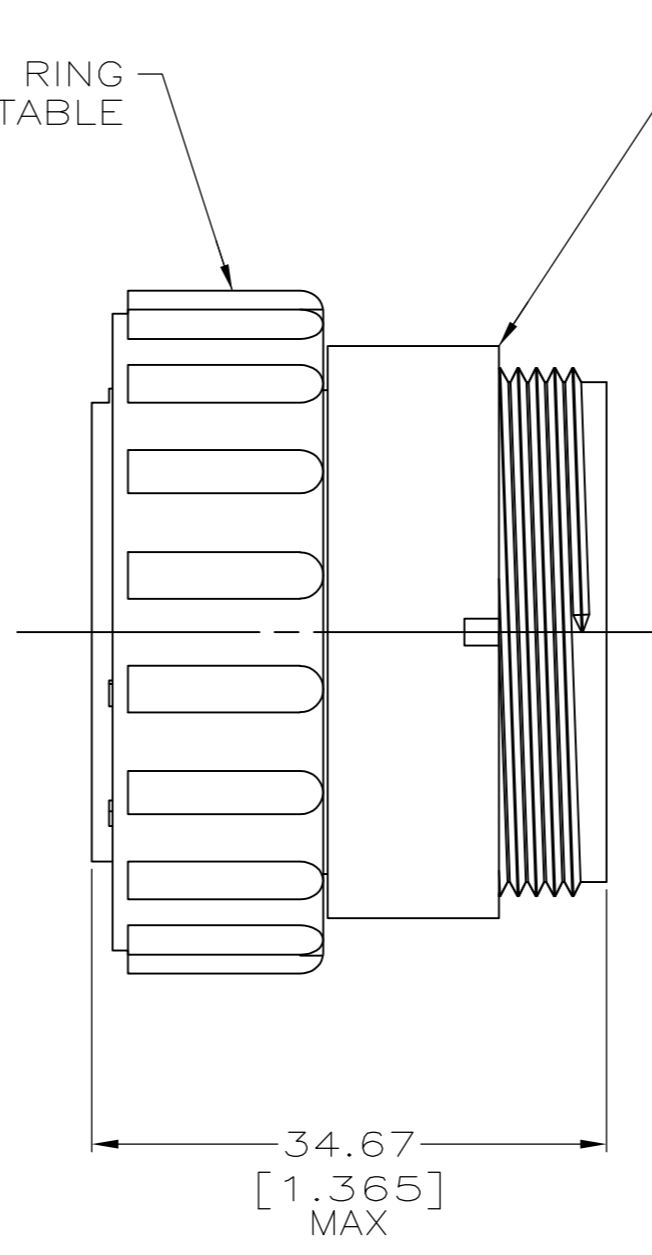
THIS DRAWING IS UNPUBLISHED. RELEASED FOR PUBLICATION
 © COPYRIGHT - By - ALL RIGHTS RESERVED.

LOC	DIST	REVISIONS			
P	LTR	DESCRIPTION	DATE	DWN	APVD
FT	0	E3	REVISED PER ECO-11-004917	11MAR11	RK HMR

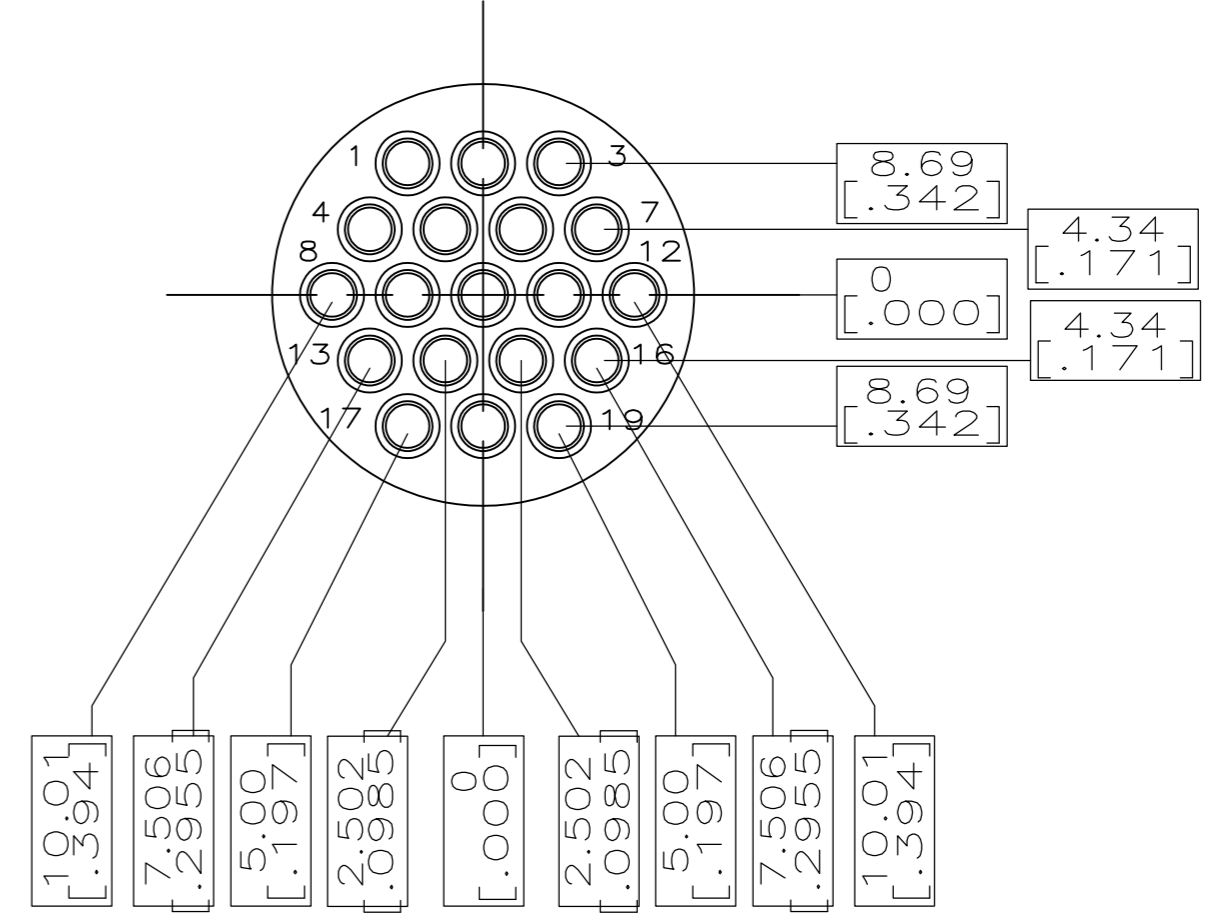


(-1 & -4 ONLY)

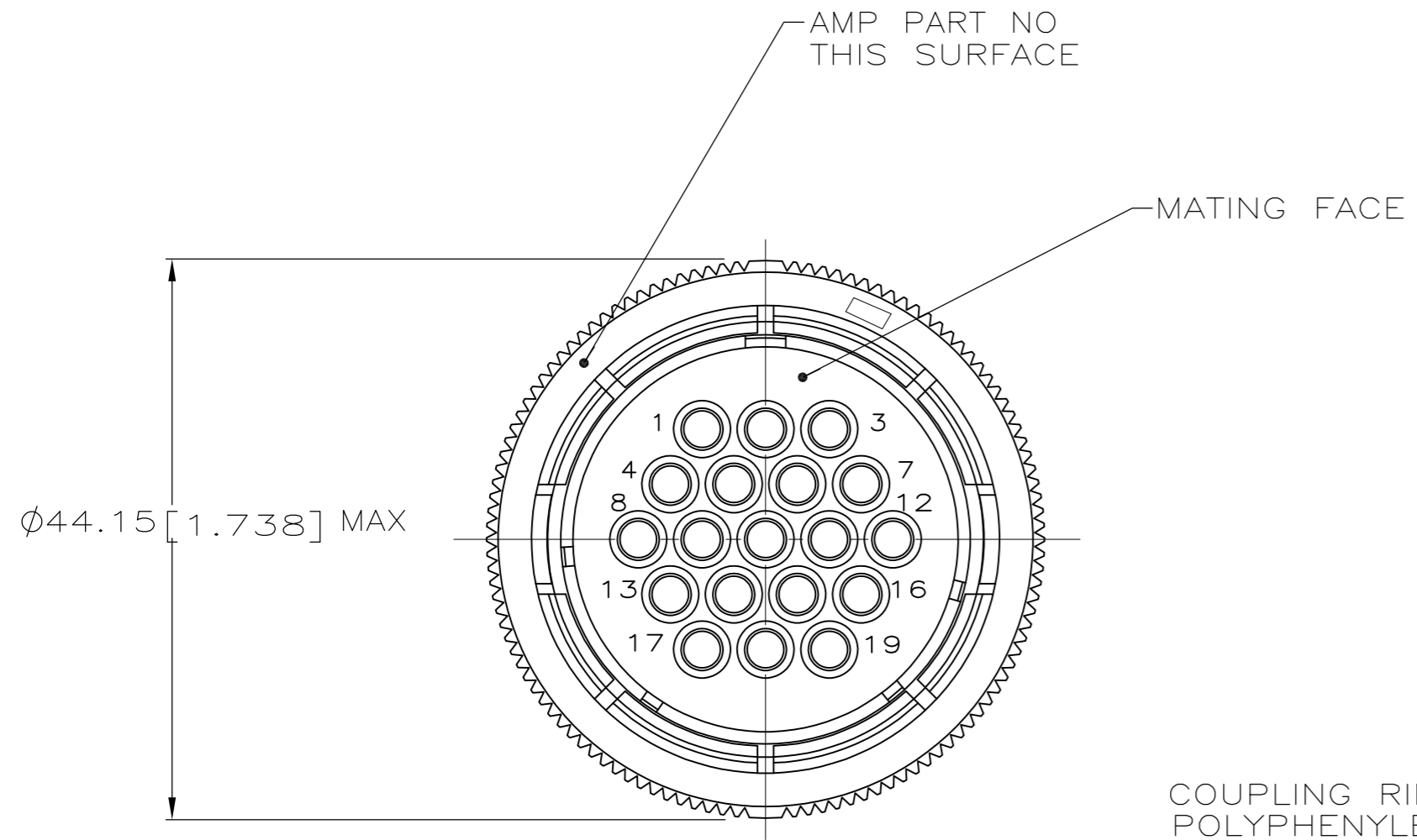
COUPLING RING MATERIAL: SEE TABLE



PLUG HOUSING NYLON 6/6, GLASS FILLED, BLACK

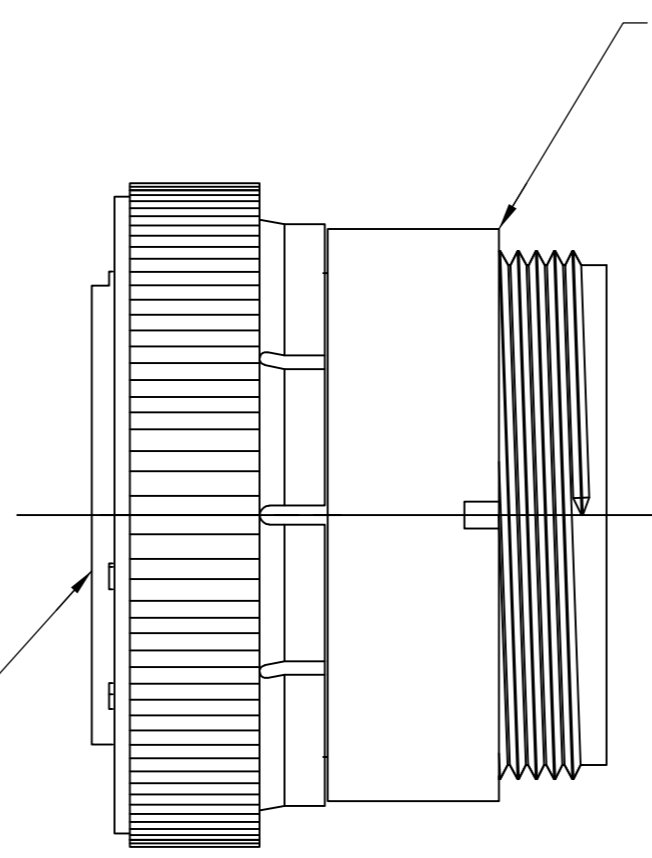


MATING FACE CONFIGURATION



(-3 ONLY)

COUPLING RING POLYPHENYLENE, BLACK



PLUG HOUSING NYLON 6/6, GLASS FILLED, BLACK

- CONTACT CAVITIES IDENTIFIED BY CHARACTERS ON FRONT AND REAR FACES OF CONNECTOR.
- THIS PART WILL ACCEPT 19 MULTIMATE PIN CONTACTS.
- NORMAL KEYING.
- OBSELETE PARTS: OBSELETE CIS STREAMLINING PER D.RENAUD/D.SINISI

4	OBSELETE	DIE CAST ZINC	-211772-4
		POLYESTER, BLACK	211772-3
		POLYESTER, BLACK	211772-1
		COUPLING RING MATERIAL	PART NUMBER

THIS DRAWING IS A CONTROLLED DOCUMENT.		DWN S. RIDGLEY 31 JUL 90	TE TE Connectivity	
DIMENSIONS: mm [INCHES]		CHK R. STONE 26 APR 91		
TOLERANCES UNLESS OTHERWISE SPECIFIED:		APVD K. BEAVER 03 APR 91	NAME	
0 PLC ± -		PRODUCT SPEC	108-10024	
1 PLC ± -		APPLICATION SPEC	-	
2 PLC ± -		WEIGHT	-	
3 PLC ± -		SIZE	A2	
4 PLC ± -		CAGE CODE	00779	
ANGLES ± -		DRAWING NO	C=211772	
FINISH		RESTRICTED TO	-	
MATERIAL		CUSTOMER DRAWING	SCALE	2:1
		SHEET	1 of 1	
		REV	E3	