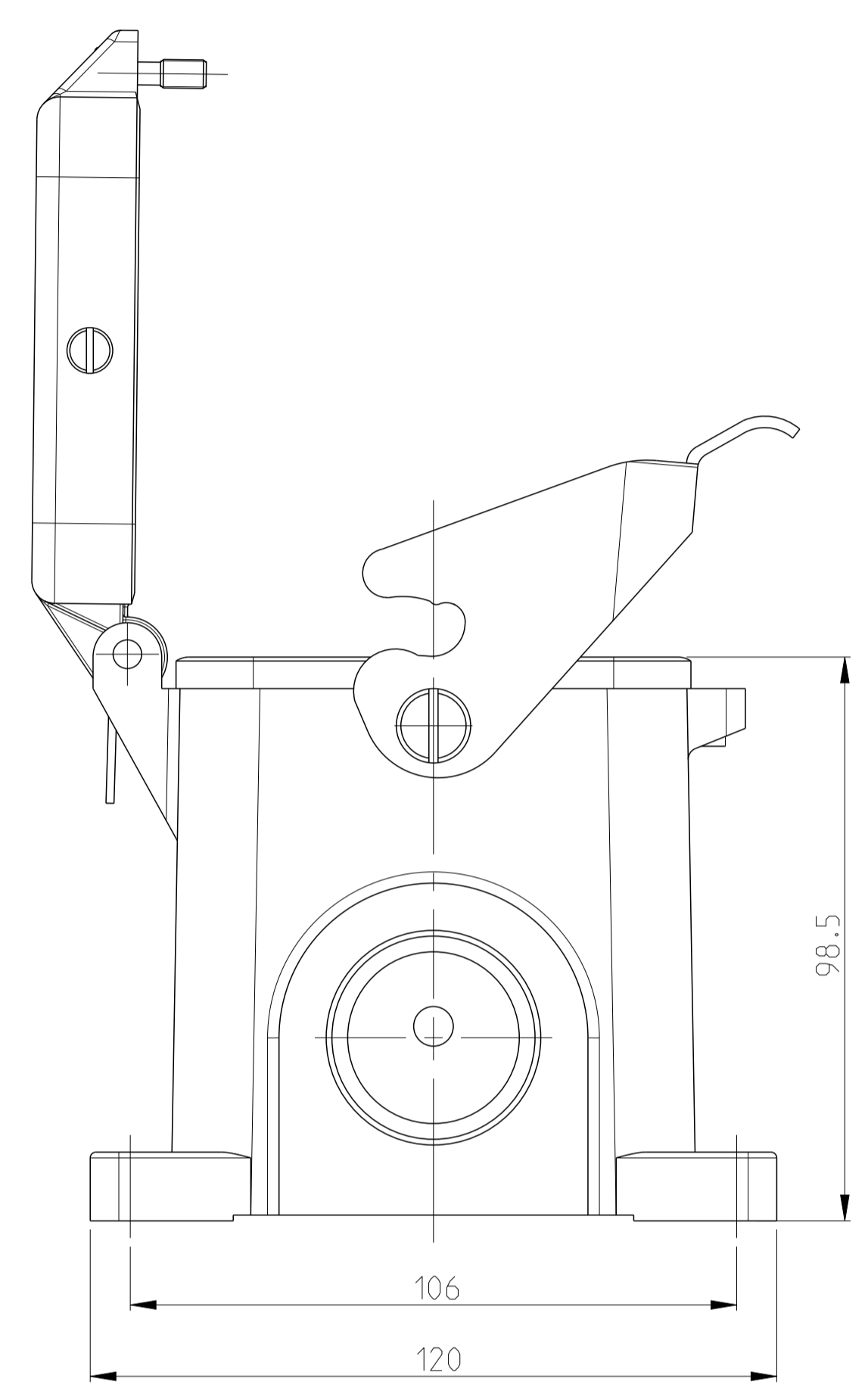
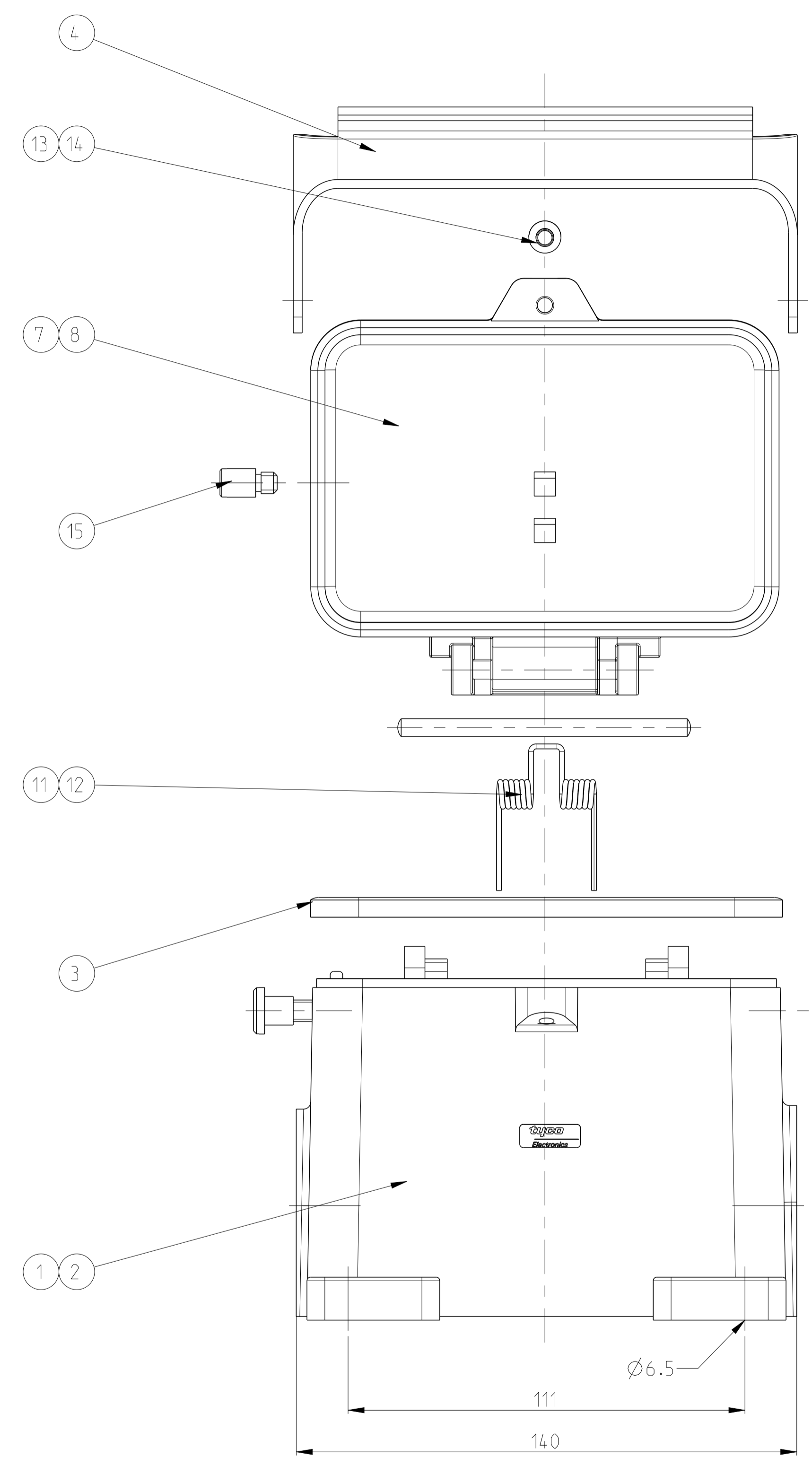


LOC		DIST		REVISIONS			
P	LTN	DESCRIPTION	DATE	DWN	APVD		
A3		new pro/E drawing ECR-09-003111	30JAN2009	SR	AR		
A4		ECR-15-000844	29JAN2015	GSK	MKO		



- NOTES
- PART SHALL BE FREE AND CLEAN OF BURRS AND OTHER FOREIGN MATERIAL
  - PACKAGING: QUANTITY 2 PIECES
  - VARNISHING INSIDE HOUSING NOT REQUIRED

QTY	DESCRIPTION	MATERIAL	SURFACE	COLOR	ITEM	NOTES
2	CLIP BOLT	STAINLEES STEEL	BLANC		15	
1	CYLINDER SCREW	STAINLEES STEEL	BLANC		14	M5x16
1	CYLINDER SCREW	STEEL	ZINC PLATED	BLUE	13	M5x16
1	LEG SPRING	STAINLEES STEEL	BLANC		12	
1	LEG SPRING	STEEL	ZINC PLATED	BLUE	11	
1	RIVET PIN	STAINLEES STEEL	BLANC		10	5x80
1	RIVET PIN	STEEL	ZINC PLATED	BLUE	9	5x80
1	COVER	ALUMINIUM	ALUMINIUM OXID	BLACK	8	
1	COVER	ALUMINIUM		GREY	7	
2	SLOTTED PAN HEAD SCREW	STAINLESS STEEL	BLANC		6	M6x8
1	SIDE CLIP	STAINLESS STEEL	BLANC		5	
1	SIDE CLIP	STEEL	ZIC PLATED	BLUE	4	
1	PRPOFIL SEAL	NEOPRENE		BLACK	3	
1	SURFACE MOUNTED HOUSING SIDE ENTRY	ALUMINIUM	ALUMINIUM OXID	BLACK	2	
1	SURFACE MOUNTED HOUSING SIDE ENTRY	ALUMINIUM		GREY	1	
2-2	DESCRIPTION	MATERIAL	SURFACE	COLOR	ITEM	NOTES
HB.48.SGD-LB.1.36.Z						
HB.48.SGD-LB.1.36.Z						

THIS DRAWING IS A CONTROLLED DOCUMENT. DWN: R.SCHNEIDER 30JAN2009  
 CHK: T.SCHNURPFEL 30JAN2009

**STE** TE Connectivity

NAME: SURFACE MOUNTED HOUSING SIDE ENTRY  
 HB.48.SGD-LB.1.36.Z

SIZE: A1 CAGE CODE: 00779 DRAWING NO: 1107005 RESTRICTED TO: -

MATERIAL: - FINISH: - WEIGHT: - SCALE: 1:1 SHEET 1 OF 1 REV: A4

CUSTOMER DRAWING