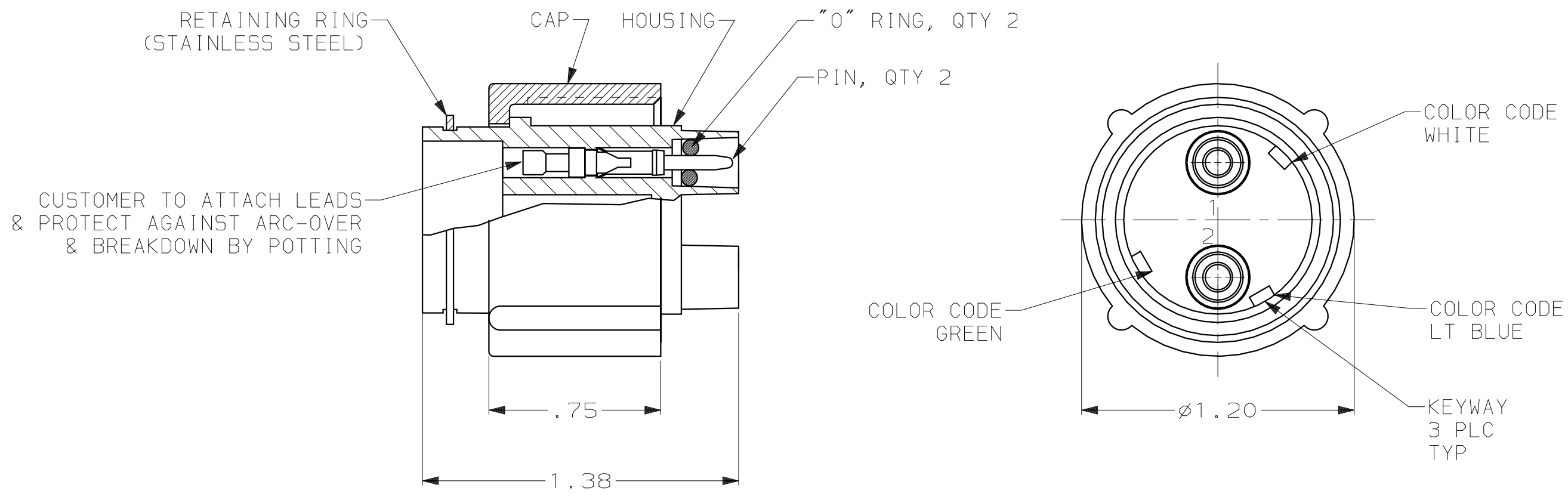


| LOC | DIST | P | F | ZONE | LTR | DESCRIPTION | DATE | APPD |
|-----|------|---|---|------|-----|-------------------------|----------|------|
| DF | 50 | | | | J | REV PER 0H14-0120-03 CT | 10-26-04 | DE |



1. PLUG ASS'Y WILL WITHSTAND WITHOUT BREAKDOWN 27 KVDC PIN TO PIN & 27 KVDC PIN TO GROUND WHEN MATED WITH RECEPT.
- 2 TYPE II PINS TO ACCEPT (1) 20 AWG, (1) 22 AWG, OR (1) 24 AWG STRANDED WIRE.
- 3 TYPE II PINS TO ACCEPT (1) 16 AWG OR (1) 18 AWG STRANDED WIRE.
- 4 TYPE II PINS TO ACCEPT (1) 14 AWG STRANDED WIRE.
5. PLUGS AND PINS TO BE PACKAGED SEPARATELY.
6. TO REMOVE PINS USE EXTRACTION TOOL #861751-1.

| OBS | REMARKS | HAND TOOL | COLOR CODE | RANGE WIRE SIZE | PART NO. |
|-----|---------|-----------|------------|-----------------|----------|
| | 4 | 45098 | NO | 14 | 860261-6 |
| | 3 | 45098 | NO | 16,18 | 860261-5 |
| | 2 | 45099 | NO | 20,22,24 | 860261-4 |
| OBS | 4 | 45098 | YES | 14 | 860261-3 |
| | 3 | 45098 | YES | 16,18 | 860261-2 |
| OBS | 2 | 45099 | YES | 20,22,24 | 860261-1 |

| | | | | | |
|--|---|--|-----------------------|------------------------|--|
| DO NOT SCALE PRINT. UNLESS SPECIFIED DIMENSIONS IN mm [INCHES] TOLERANCES ON : 2 PLC DEC ± - 3 PLC DEC ± - ANGLES ± - | DR 07-08-93 THOMPSON CHK 07-23-93 S. GLATFELTER APPD 07-23-93 S. GLATFELTER | AMP AMP Incorporated Harrisburg, PA 17105-3608 NAME PLUG KIT, LGH, 2 POSN. | | | |
| MATERIAL POLYESTER | APPD 07-23-93 S. GLATFELTER PRODUCT SPEC - | | | | |
| FINISH BLACK | APPLICATION SPEC - | SIZE C 00779 | CAGE CODE C=860261 | DRAWING NO C=860261 | |
| | WEIGHT - | SCALE 2:1 | | SHEET 1 OF 1 | |

THIS DRAWING IS A CONTROLLED DOCUMENT FOR AMP INCORPORATED. IT IS SUBJECT TO CHANGE AND THE CONTROLLING ENGINEERING ORGANIZATION SHOULD BE CONTACTED FOR THE LATEST REVISION.