

## MDSTBV 2,5/ 2-G-5,08

Order No.: 1763074

The figure shows a 10-position version of the product

<http://eshop.phoenixcontact.de/phoenix/treeViewClick.do?UID=1763074>Header, Nominal current: 10 A, Nom. voltage: 250 V, Pitch: 5.08 mm,  
Number of positions: 2, Color: green, Assembly: Soldering

### Commercial data

EAN	4017918031633
Pack	50 pcs.
Customs tariff	85366990
Weight/Piece	0.00336 KG
Catalog page information	Page 262 (CC-2009)

### Product notes

WEEE/RoHS-compliant since:  
01/01/2003

<http://www.download.phoenixcontact.com>  
Please note that the data given here has been taken from the online catalog. For comprehensive information and data, please refer to the user documentation. The General Terms and Conditions of Use apply to Internet downloads.

### Technical data

#### Dimensions / positions

Pitch	5.08 mm
Dimension a	5.08 mm
Number of positions	2
Pin dimensions	1 x 1 mm
Hole diameter	1.4 mm

**Technical data**

Insulating material group	I
Rated surge voltage (III/3)	4 kV
Rated surge voltage (III/2)	4 kV
Rated surge voltage (II/2)	4 kV
Rated voltage (III/2)	320 V
Rated voltage (II/2)	400 V
Connection in acc. with standard	EN-VDE
Nominal current $I_N$	10 A
Nominal voltage $U_N$	250 V
Maximum load current	10 A
Insulating material	PBT
Inflammability class acc. to UL 94	V0

**Certificates / Approvals**



Certification CB, CSA, CUL, GL, GOST, UL, VDE-PZI

**CSA**

Nominal voltage $U_N$	300 V
Nominal current $I_N$	10 A

**CUL**

Nominal voltage $U_N$	300 V
Nominal current $I_N$	10 A

**UL**

Nominal voltage $U_N$	300 V
Nominal current $I_N$	10 A

<b>Accessories</b>		
Item	Designation	Description
<b>Assembly</b>		
1786679	MDSTB-SE	Side element, for lateral sealing of MSTB headers, 2.54 mm thick, color: green
1755477	MSTB-BL	Keying cap, for forming sections, plugs onto header pin, green insulating material
<b>General</b>		
1836477	MDSTBV 2,5/ 2-GFL-5,08	Header, Nominal current: 10 A, Nom. voltage: 250 V, Pitch: 5.08 mm, Number of positions: 2
1836480	MDSTBV 2,5/ 2-GFR-5,08	Header, Nominal current: 10 A, Nom. voltage: 250 V, Pitch: 5.08 mm, Number of positions: 2
<b>Marking</b>		
0804293	SK 5,08/3,8:FORTL.ZAHLEN	Marker card, printed horizontally, self-adhesive, 12 identical decades marked 1-10, 11-20 etc. up to 91-(99)100, sufficient for 120 terminal blocks
<b>Plug/Adapter</b>		
1734401	CR-MSTB	Coding section, inserted into the recess in the header or the inverted plug, red insulating material

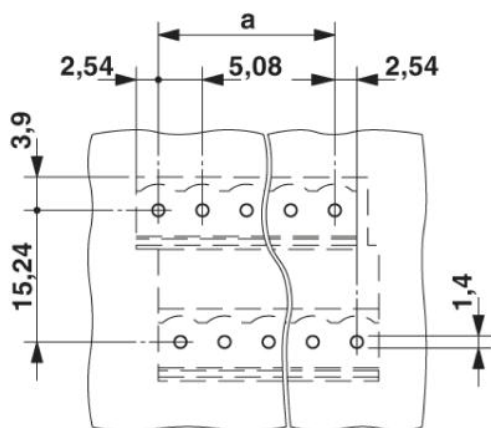
<b>Additional products</b>		
Item	Designation	Description
<b>General</b>		
1872693	A-ICV 2,5/ 2-G-5,08	Base strip, Nominal current: 12 A, Nominal voltage: 250 V, Mounting type: DIN rail mounting, Number of positions: 2, Pitch: 5.08 mm, Color: green
1873058	FKC 2,5/ 2-ST-5,08	Plug component, Nominal current: 12 A, Nom. voltage: 250 V, Pitch: 5.08 mm, Number of positions: 2, Connection type: Spring-cage conn., Color: green
1873207	FKC 2,5/ 2-STF-5,08	Plug component, Nominal current: 12 A, Nom. voltage: 250 V, Pitch: 5.08 mm, Number of positions: 2, Connection type: Spring-cage conn., Color: green
1902110	FKCT 2,5/ 2-ST-5,08	Plug component, Nominal current: 12 A, Nom. voltage: 250 V, Pitch: 5.08 mm, Number of positions: 2, Connection type: Spring-cage conn., Color: green
1902301	FKCT 2,5/ 2-STF-5,08	Plug component, Nominal current: 12 A, Nom. voltage: 250 V, Pitch: 5.08 mm, Number of positions: 2, Connection type: Spring-cage conn., Color: green

1873951	FKCVR 2,5/ 2-ST-5,08	Plug component, Nominal current: 12 A, Nom. voltage: 250 V, Pitch: 5.08 mm, Number of positions: 2, Connection type: Spring-cage conn.
1874109	FKCVR 2,5/ 2-STF-5,08	Plug component, Nominal current: 12 A, Nom. voltage: 250 V, Pitch: 5.08 mm, Number of positions: 2, Connection type: Spring-cage conn., Color: green
1873650	FKCVW 2,5/ 2-ST-5,08	Plug component, Nominal current: 12 A, Nom. voltage: 250 V, Pitch: 5.08 mm, Number of positions: 2, Connection type: Spring-cage conn.
1873809	FKCVW 2,5/ 2-STF-5,08	Plug component, Nominal current: 12 A, Nom. voltage: 250 V, Pitch: 5.08 mm, Number of positions: 2, Connection type: Spring-cage conn.
1777280	FRONT-MSTB 2,5/ 2-ST-5,08	Plug component, Nominal current: 12 A, Nom. voltage: 250 V, Pitch: 5.08 mm, Number of positions: 2, Connection type: Screw connection, Color: green
1777808	FRONT-MSTB 2,5/ 2-STF-5,08	Plug component, Nominal current: 12 A, Nom. voltage: 250 V, Pitch: 5.08 mm, Number of positions: 2, Connection type: Screw connection, Color: green
1786404	IC 2,5/ 2-G-5,08	Header, Nominal current: 12 A, Nom. voltage: 320 V, Pitch: 5.08 mm, Number of positions: 2, Assembly: Soldering
1785942	ICV 2,5/ 2-G-5,08	Header, Nominal current: 12 A, Nom. voltage: 320 V, Pitch: 5.08 mm, Number of positions: 2, Color: green, Assembly: Soldering
1757019	MSTB 2,5/ 2-ST-5,08	Plug component, Nominal current: 12 A, Nom. voltage: 250 V, Pitch: 5.08 mm, Number of positions: 2, Connection type: Screw connection, Color: green
1777989	MSTB 2,5/ 2-STF-5,08	Plug component, Nominal current: 12 A, Nom. voltage: 250 V, Pitch: 5.08 mm, Number of positions: 2, Connection type: Screw connection, Color: green
1808816	MSTBC 2,5/ 2-ST-5,08	Plug component, Nominal current: 12 A, Nom. voltage: 320 V, Pitch: 5.08 mm, Number of positions: 2, Connection type: Crimp connection, Color: green
1809501	MSTBC 2,5/ 2-STZ-5,08	Plug component, Nominal current: 12 A, Nom. voltage: 320 V, Pitch: 5.08 mm, Number of positions: 2, Connection type: Crimp connection
1809734	MSTBC 2,5/ 2-STZF-5,08	Plug component, Nominal current: 12 A, Nom. voltage: 320 V, Pitch: 5.08 mm, Number of positions: 2, Connection type: Crimp connection
1769010	MSTBP 2,5/ 2-ST-5,08	Plug component, Nominal current: 12 A, Nom. voltage: 250 V, Pitch: 5.08 mm, Number of positions: 2, Connection type: Screw connection, Color: green
1779987	MSTBT 2,5/ 2-ST-5,08	Plug component, Nominal current: 12 A, Nom. voltage: 250 V, Pitch: 5.08 mm, Number of positions: 2, Connection type: Screw connection, Color: green
1805301	MSTBT 2,5/ 2-STF-5,08	Plug component, Nominal current: 12 A, Nom. voltage: 250 V, Pitch: 5.08 mm, Number of positions: 2, Connection type: Screw connection, Color: green

1792249	MVSTBR 2,5/ 2-ST-5,08	Plug component, Nominal current: 12 A, Nom. voltage: 250 V, Pitch: 5.08 mm, Number of positions: 2, Connection type: Screw connection, Color: green
1835096	MVSTBR 2,5/ 2-STF-5,08	Plug component, Nominal current: 12 A, Nom. voltage: 250 V, Pitch: 5.08 mm, Number of positions: 2, Connection type: Screw connection, Color: green
1792757	MVSTBW 2,5/ 2-ST-5,08	Plug component, Nominal current: 12 A, Nom. voltage: 250 V, Pitch: 5.08 mm, Number of positions: 2, Connection type: Screw connection, Color: green
1834903	MVSTBW 2,5/ 2-STF-5,08	Plug component, Nominal current: 12 A, Nom. voltage: 250 V, Pitch: 5.08 mm, Number of positions: 2, Connection type: Screw connection
1883255	QC 1/ 2-ST-5,08	Plug component, Nominal current: 10 A, Nom. voltage: 500 V, Pitch: 5.08 mm, Number of positions: 2, Connection type: Insulation displacement connection QUICKON, Color: green
1883352	QC 1/ 2-STF-5,08	Plug component, Nominal current: 10 A, Nom. voltage: 500 V, Pitch: 5.08 mm, Number of positions: 2, Connection type: Insulation displacement connection QUICKON, Color: green
1826283	SMSTB 2,5/ 2-ST-5,08	Plug component, Nominal current: 12 A, Nom. voltage: 250 V, Pitch: 5.08 mm, Number of positions: 2, Connection type: Screw connection, Color: green
1853010	TMSTBP 2,5/ 2-ST-5,08	Plug component, Nominal current: 12 A, Nom. voltage: 250 V, Pitch: 5.08 mm, Number of positions: 2, Connection type: Screw connection, Color: green
1853104	TMSTBP 2,5/ 2-STF-5,08	Plug component, Nominal current: 12 A, Nom. voltage: 250 V, Pitch: 5.08 mm, Number of positions: 2, Connection type: Screw connection, Color: green

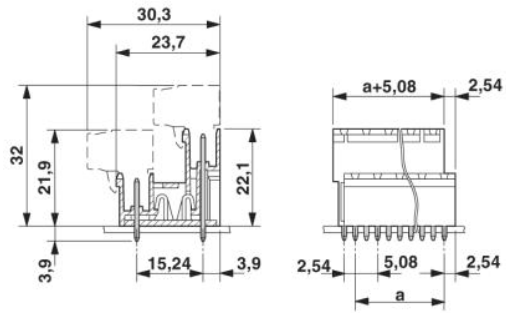
### Diagrams/Drawings

Drilling plan/solder pad geometry



Dimensioned drawing

---



**Address**

PHOENIX CONTACT Inc., USA  
586 Fulling Mill Road  
Middletown, PA 17057, USA  
Phone (800) 888-7388  
Fax (717) 944-1625  
<http://www.phoenixcon.com>



© 2010 Phoenix Contact  
Technical modifications reserved;