

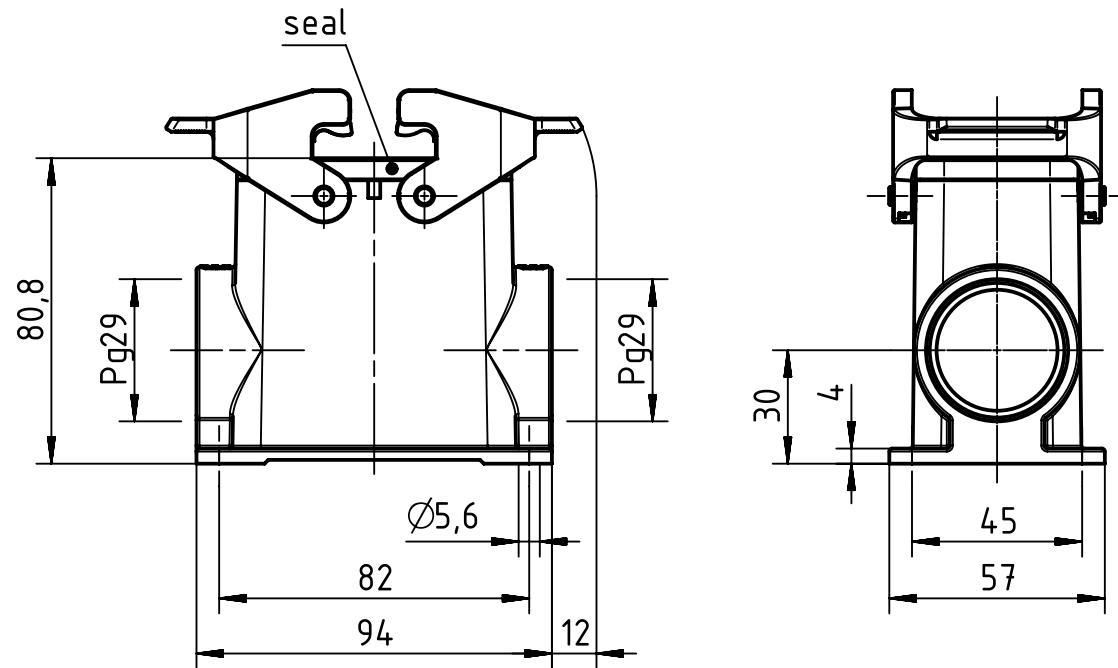
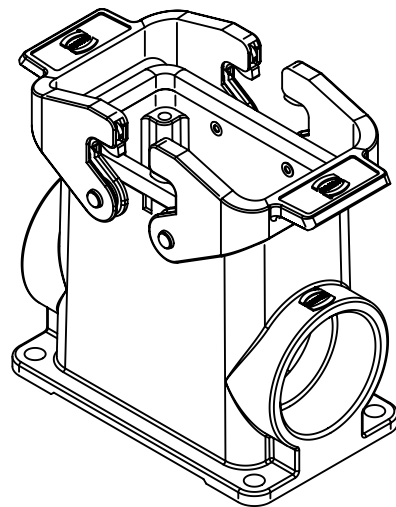
1 2 3 4 5 6


A

B

C

D



	All Dimensions in mm Original Size DIN A4		Scale 1:2		Free size tol.		Ref. Sub. TB 09 30 010 0273 v. 11.04.11			
	All rights reserved Department EL PD - DE		Created by SPRENB		Inspected by BERGHORN		Standardisation TIEMANNA			
HARTING Electric GmbH & Co. KG D-32339 Espelkamp		Title Base Surface HC 2 Lever 2 Entries					Date 2014-01-30		State Final Release	
		Type TB					Number 09 30 010 0273		Doc-Key / ECM-Nr. 100208941/UGD/004/A 500000071121	
							Rev. A		Page 1/1	