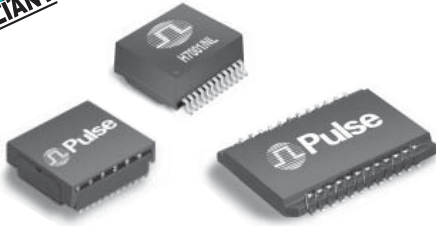







10GBASE-T MAGNETICS MODULES

Designed to Support 10GBASE-T Transceivers



-  Compliant with IEEE 802.3 standard
-  Qualified with top 10Gig PHY Manufacturer
-  RoHS peak reflow temperature rating: 245°C
-  Low profile package for PCI Express
-  Fine-tuned magnetics to specific PHY vendors

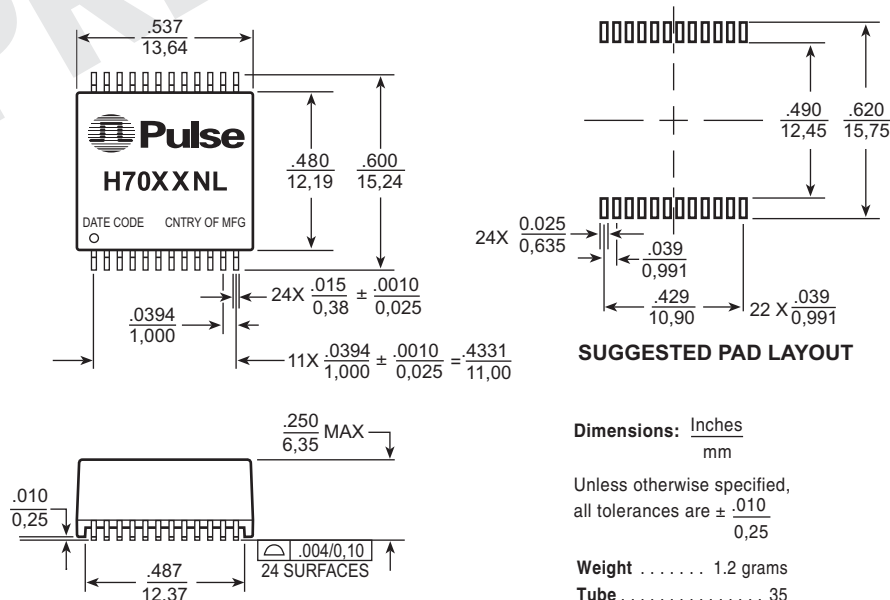
Electrical Specifications @ 25°C — Operating Temperature 0°C to 70°C

RoHS Compliant Part Number	Insertion Loss (dB or better)		Return Loss (dB or better)		Common to Differential Mode Rejection (dB or better)		Crosstalk (dB or better)		Hipot (VRMS MIN)
	100 kHz	1-500 MHz	1-40 MHz	40-500 MHz	1-250 MHz	250-500 MHz	1-100 MHz	100-500 MHz	
H7001NL	-3.0	-1.0 (-0.6 dB TYP)	-18	-17+ 10*LOG(f/40)	-30	-22	-40	-30	1500
H7018NL	-3.0	-1.0 (-0.6 dB TYP)	-18	-17+ 10*LOG(f/40)	-30	-22	-40	-30	1500
H7019NL	-3.0	-1.0 (-0.6 dB TYP)	-18	-17+ 10*LOG(f/40)	-30	-22	-40	-30	1500
H7500NL	-3.0	-1.0 (-0.6 dB TYP)	-18	-17+ 10*LOG(f/40)	-30	-22	-40	-30	1500
H7800NL	-3.0	-1.0 (-0.6 dB TYP)	-18	-17+ 10*LOG(f/40)	-30	-22	-40	-30	1500

1. For Tape & Reel packaging, add a "T" suffix at the end of the part number, e.g. H7001NLT.

Mechanicals

H7001NL, H7018NL, H7019NL

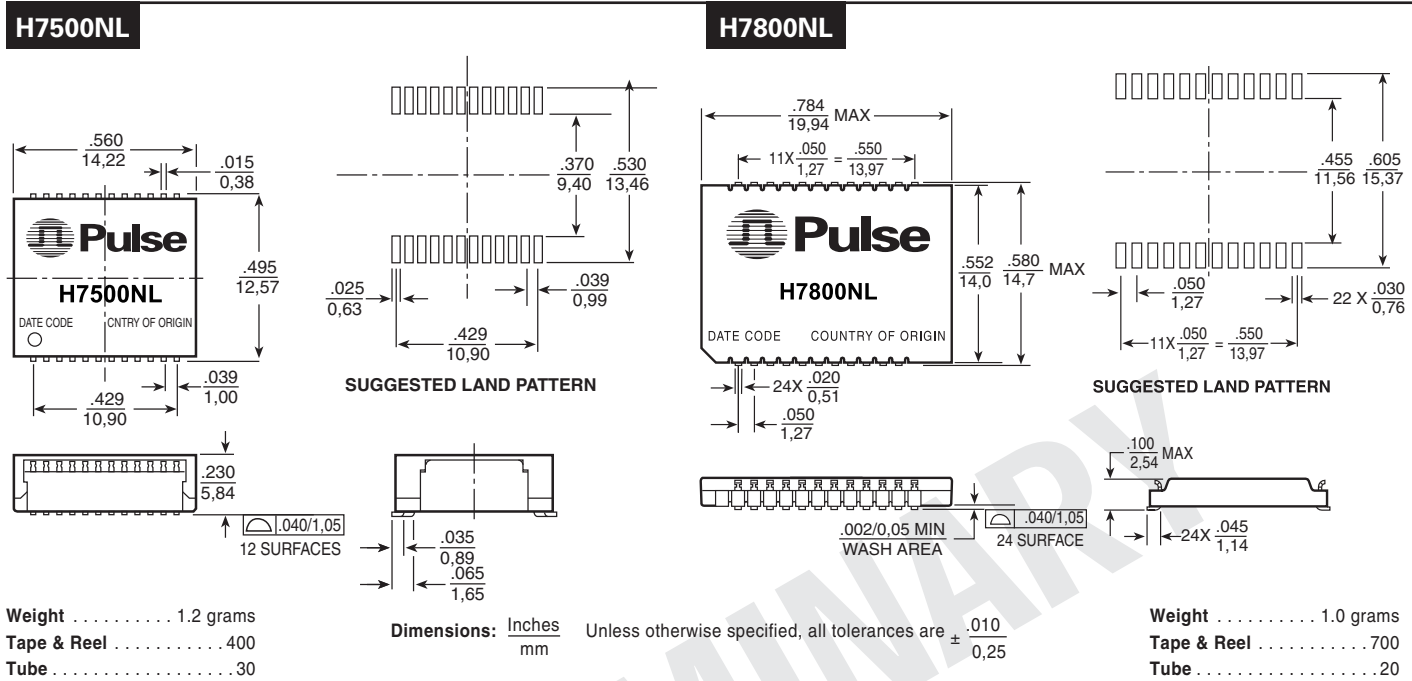


10GBASE-T MAGNETICS MODULES

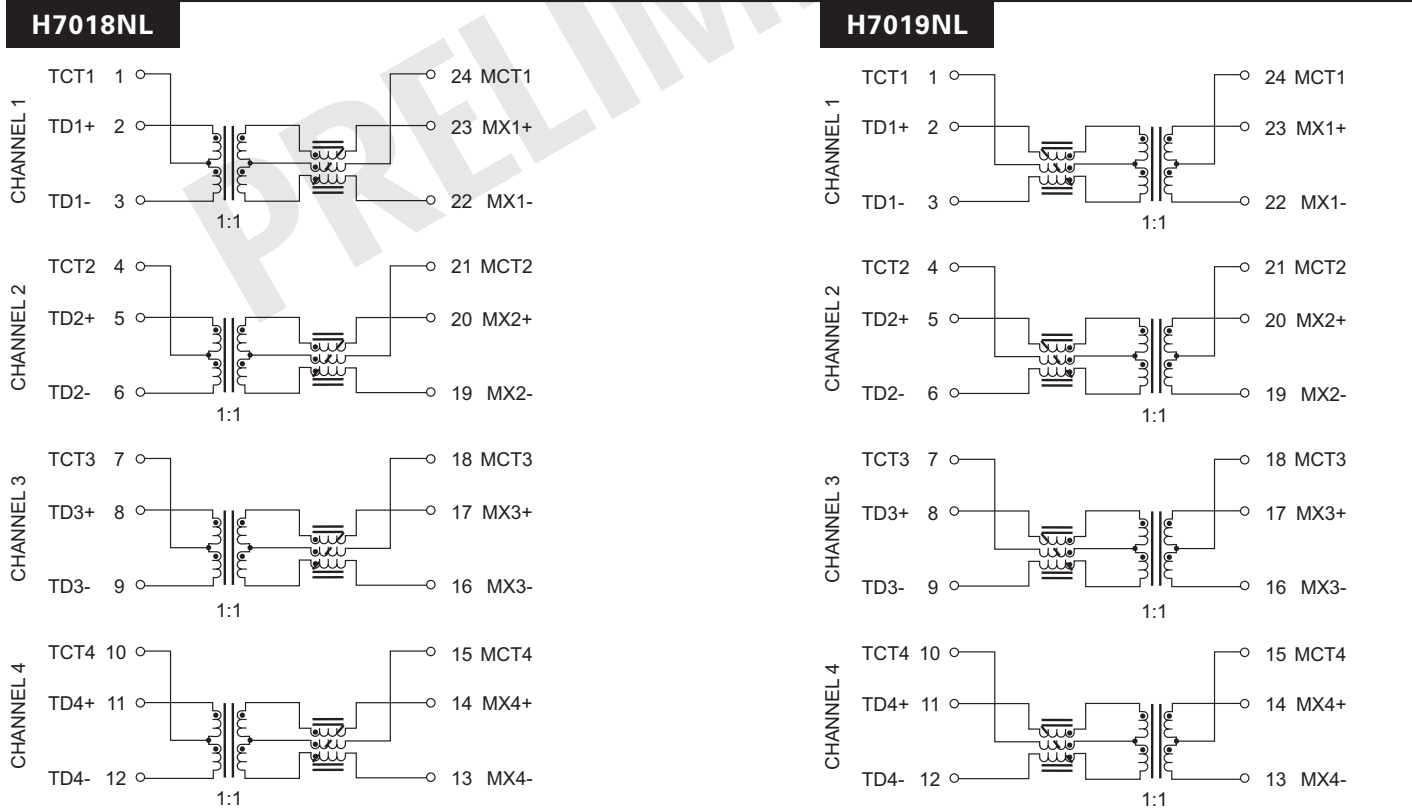
Designed to Support 10GBASE-T Transceivers



Mechanicals (continued)



Schematic



10GBASE-T MAGNETICS MODULES

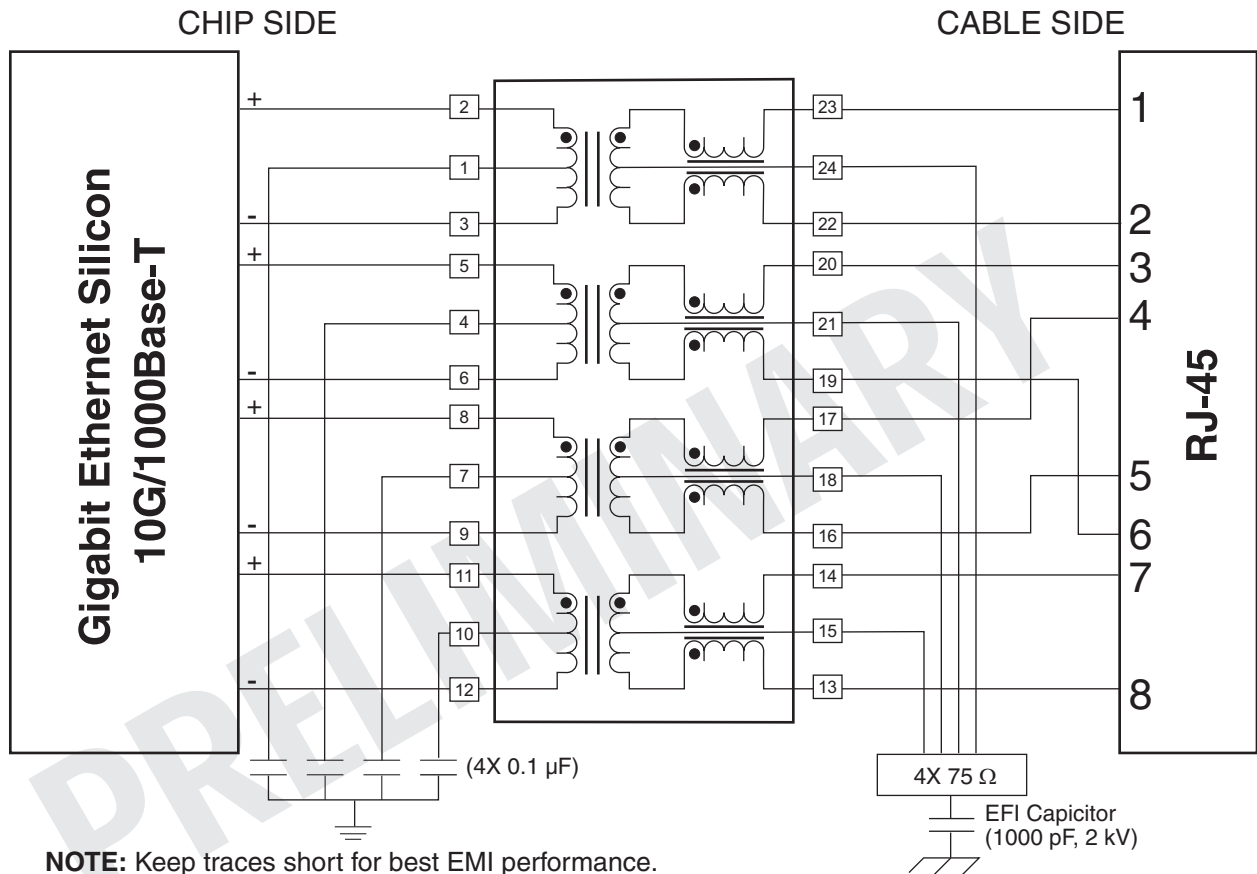
Designed to Support 10GBASE-T Transceivers



Application Circuit

H7001NL, H7500NL, H7800NL

Gigabit Circuit



The above circuit is a simple interface for a gigabit transformer connection between the silicon and connector. It is highly recommended that the cable side center taps of each transformer be terminated to 75 Ω resistors and that the four center taps be terminated to an EFI capacitor prior to ground termination.

For More Information:

Pulse Worldwide Headquarters	Pulse Europe	Pulse China Headquarters	Pulse North China	Pulse South Asia	Pulse North Asia
12220 World Trade Dr. San Diego, CA 92128 U.S.A.	Zeppelinstrasse 15 D-71083 Herrenberg Germany	B402, Shenzhen Academy of Aerospace Technology Bldg. 10th Kejinan Rd. High-Tech Zone Nanshan District Shenzhen, PR China 518057	Room 2704/2705 Super Ocean Finance Ctr. 2067 Yan An Rd. West Shanghai 200336 China	135 Joo Seng Rd. #03-02 PM Industrial Bldg. Singapore 368363	3F, No. 198 Zhongyuan Rd. Zhongli City Taoyuan County 320 Taiwan R. O. C.
www.pulseeng.com Tel: 858 674 8100 Fax: 858 674 8262	Tel: 49 7032 7806 0 Fax: 49 7032 7806 135	Tel: 86 755 33966678 Fax: 86 755 33966700	Tel: 86 21 62787060 Fax: 86 2162786973	Tel: 65 6287 8998 Fax: 65 6287 8998	Tel: 886 3 4356768 Fax: 886 3 4356823 (Pulse) Fax: 886 3 4356820 (FRE)

Performance warranty of products offered on this data sheet is limited to the parameters specified. Data is subject to change without notice. Other brand and product names mentioned herein may be trademarks or registered trademarks of their respective owners.

© Copyright, 2009. Pulse Engineering, Inc. All rights reserved.