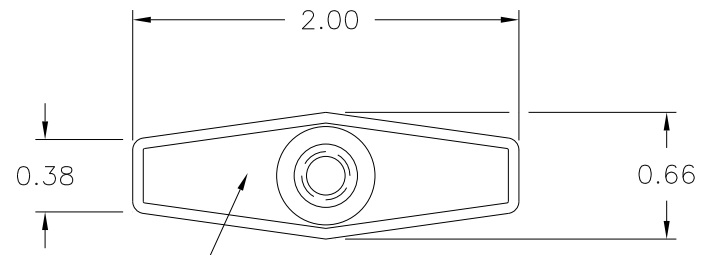


PART NAME: KNOB      SCALE: 1:1      DATE: 5/10/96      DR. BY HD

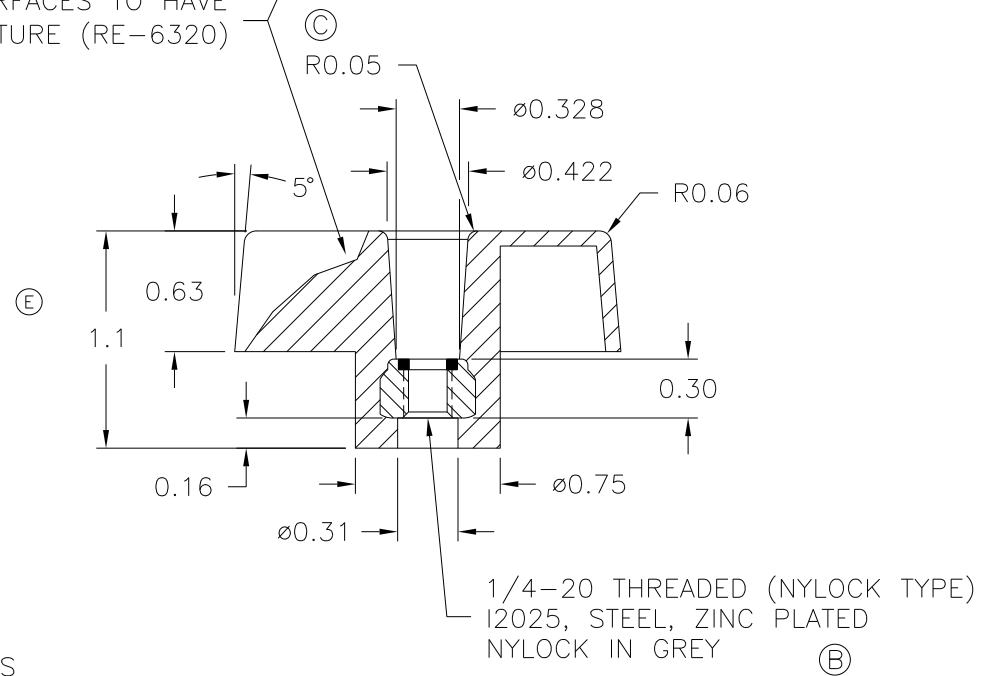
THIS DRAWING IS THE PROPERTY OF DAVIES MOLDING COMPANY, IS SUBMITTED SOLELY AS A DESIGN OR ENGINEERING PROJECT. WE ACCEPT NO RESPONSIBILITY WHATSOEVER FOR THE PRACTICAL APPLICATION OF THE PIECES MADE TO THIS DESIGN.



P/N	3089AC
M <sup>NO.</sup>	# 38
CAVITY	3089-AC
CORE	3089
CAV. PLUG	3089-AC
SLEEVE	3089
PIN	3089-AC
INSERT	I2025



OUTSIDE SURFACES TO HAVE COARSE TEXTURE (RE-6320)



ENGINEERING APPROVED MATERIALS  
 MATERIAL: POLYPROPYLENE (CLD) (C)  
 COLOR: BLACK

E	WAS 0.75, ADDED TOLERANCE	EW	7/23/14
D	ADDED MAT. CODE	DS	1/26/07
-	REDRAWN	TL	11/12/99
C	R.05 ADDED	HD	9/10/96
B	WAS I1287	HD	9/4/96
A	PIN&CAV WERE 3089SPEC	HD	8/29/96

(E)	TOLERANCES: UNLESS OTHERWISE SPECIFIED	DO NOT SCALE DRAWING
	DECIMALS: X.XXX ± .005 X.XX ± .015 X.X ± .03	MM: X.XX ± 0.15MM X.X ± 0.4MM
	FRACTIONS ± 1/64	ANG. ± 1°

CHANGES