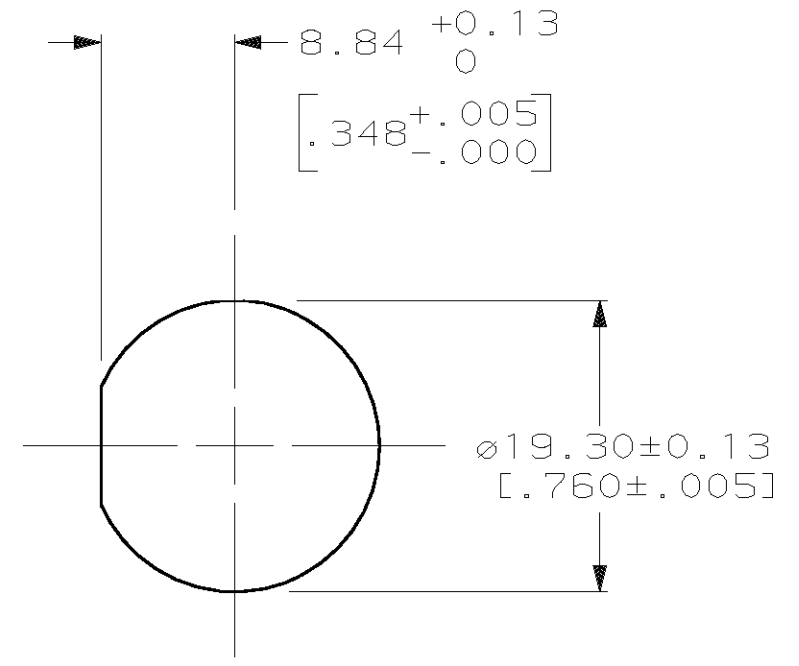
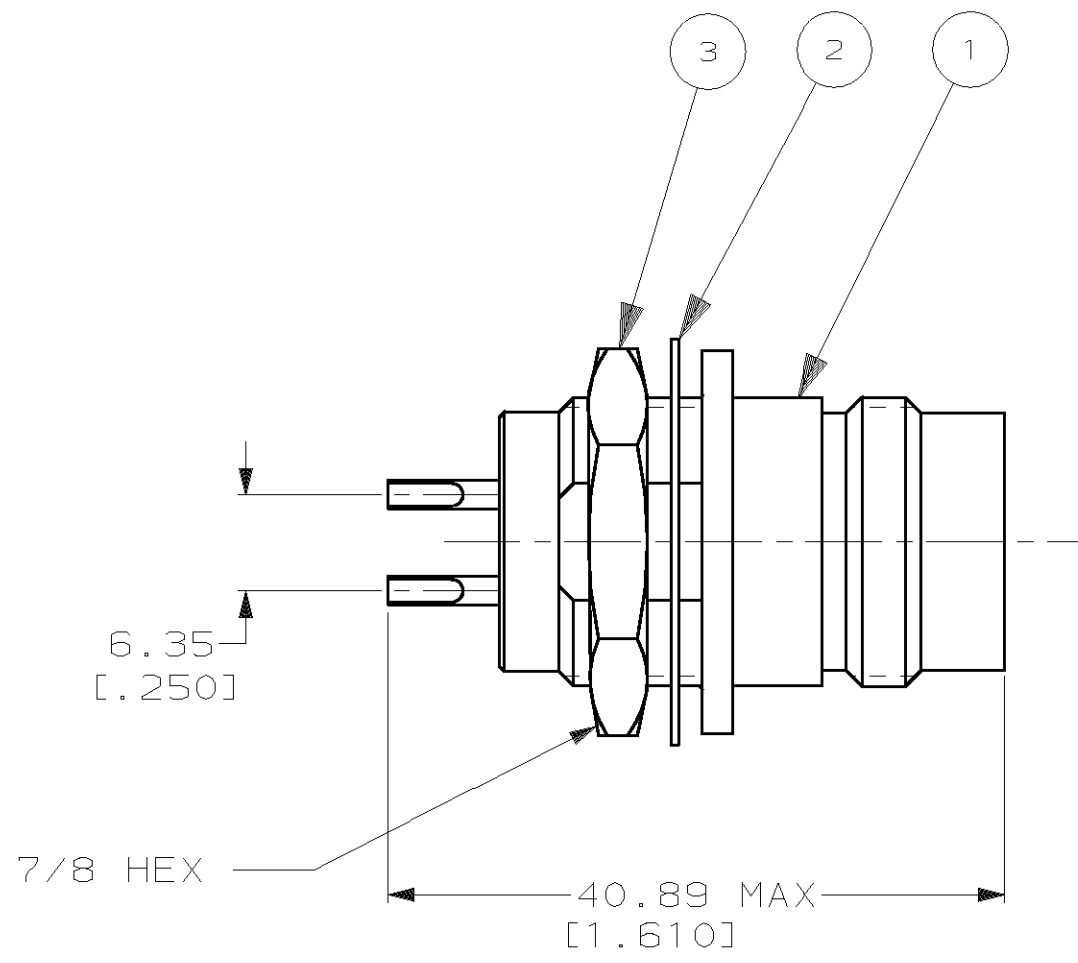


THIS DRAWING IS UNPUBLISHED. RELEASED FOR PUBLICATION, 19
 © COPYRIGHT 19 BY AMP INCORPORATED. ALL INTERNATIONAL RIGHTS RESERVED.

LOC AJ	DIST 16	P	F	REVISIONS			DATE	APPD
				ZONE	LTR	DESCRIPTION		
					F	REACTIVATE PER 0U20-0209-01	27MAR01	M0



SUGGESTED PANEL CUTOUT

1	JAM NUT	228310-1	3
1	LOCKWASHER	226970-2	2
1	SOLDER RECEPTACLE ASSY	228309-1	1
-1	QTY	DESCRIPTION	PART NO
			ITEM

DO NOT SCALE PRINT. UNLESS SPECIFIED DIMENSIONS IN INCHES TOLERANCES ON: 2 PLC DEC ± 0.20 [0.008] 3 PLC DEC ± - ANGLES ± -	DR D. LAMAN	4-3-90	AMP INCORPORATED Harrisburg, Pa. 17105
	CHK R. E. RUTH	7/12/90	
	APPD R. HENRY	7/12/90	
	APPD R. E. RUTH	7/12/90	
MATERIAL	PRODUCT SPEC 108-12050	NAME SOLDER RECEPTACLE, BULKHEAD, SERIES TWIN	
FINISH	APPLICATION SPEC	SIZE B	FSCM NO 00779
	WEIGHT	SCALE 2:1	DRAWING NO 228284
			SHEET 1 OF 1