

Features

- Blind mating connector system for drawer systems
- Direct panel mounting without housing
- Very robust design
- Solid pre-leading guid pins and float bushes
- Can be fixed with standard M4 screws

Notice:

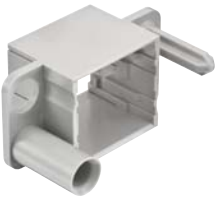
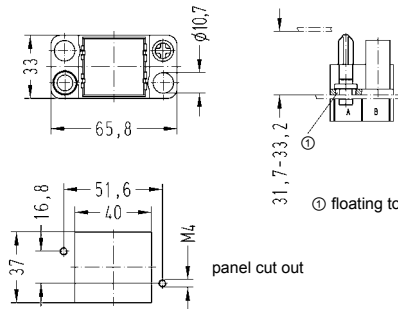

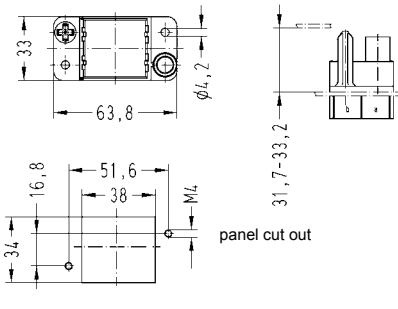
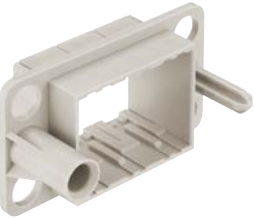
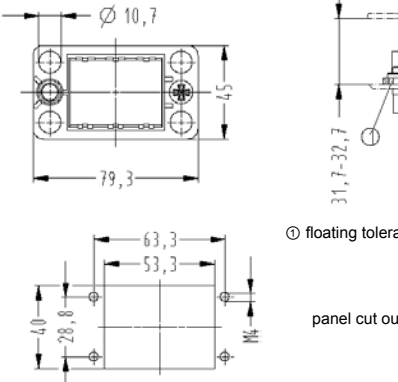
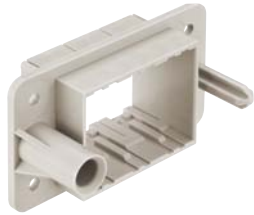
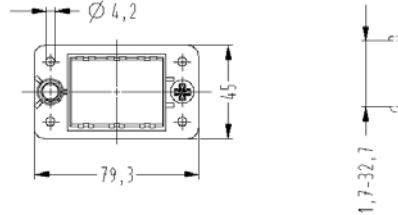
Due to the plastic material used in the docking frame without PE, the panel will need to be grounded separately.

Technical characteristics

Specifications	DIN EN 60 664-1 DIN EN 61 984
Frames	
Number of modules	2, 3, 4, 6
Material	
Docking Frame	polycarbonate
Float washer	zinc die-cast alloy
Floating tolerance	± 2 mm
Aligning tolerance	± 4 mm
Limiting temperatures	-40 °C ... +125 °C
Flammability acc. to UL 94	V 0
Mechanical working life	≥ 500 mating cycles


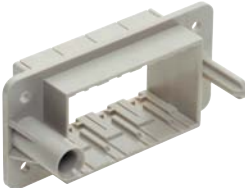
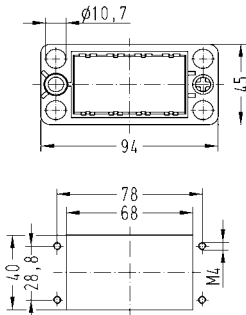
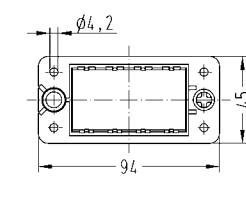
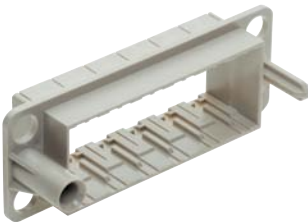
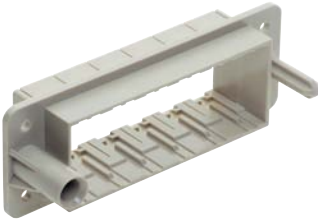
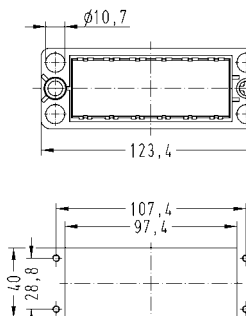
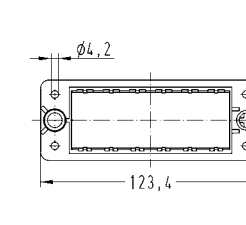

Han-Modular® Docking Frame



Identification	Float mount A ... F	Fixed a ... f	Drawings	Dimensions in mm
<p>Docking frame for 2 modules</p> 		09 14 006 1701		<p>31,7-33,2</p> <p>⊕ floating tolerance: ± 2 mm</p>
<p>Docking frame for 2 modules</p> 	09 14 006 1711			<p>31,7-33,2</p> <p>⊕ floating tolerance: ± 2 mm</p>
<p>Docking frame for 3 modules</p> 	09 14 010 1701			<p>31,7-32,7</p> <p>⊕ floating tolerance: ± 2 mm</p>
<p>Docking frame for 3 modules</p> 		09 14 010 1711		<p>31,7-32,7</p> <p>⊕ floating tolerance: ± 2 mm</p>

Han-Modular® Docking Frame



Identification	Float mount A ... F	Fixed a ... f	Drawings	Dimensions in mm
<p>Docking frame for 4 modules</p>  <p>Docking frame for 4 modules</p> 	09 14 016 1701		 	<p>① floating tolerance: ± 2 mm</p> <p>panel cut out</p>
<p>Docking frame for 6 modules</p>  <p>Docking frame for 6 modules</p> 	09 14 024 1701		 	<p>① floating tolerance: ± 2 mm</p>
<p>Float washer</p> <p>to enable the frame to be float mounted using standard M4 fixing screws</p> 	09 14 000 9936		