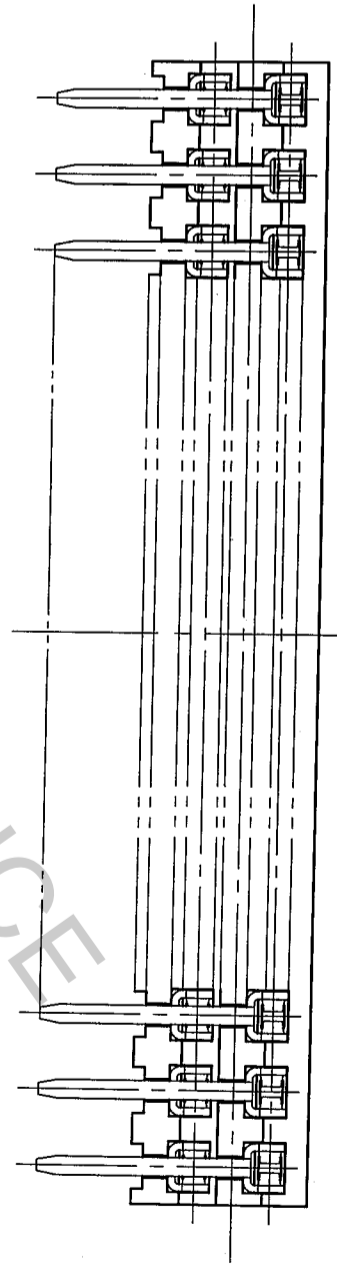
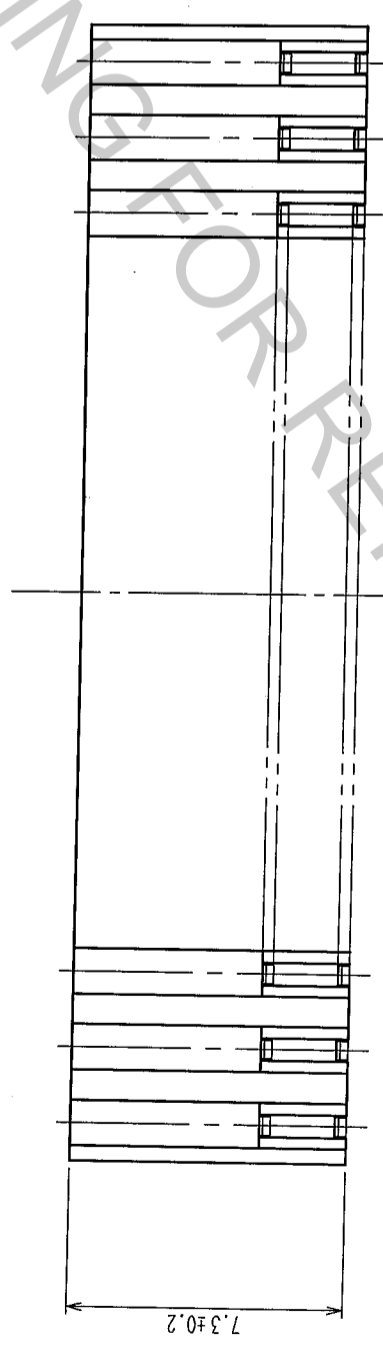
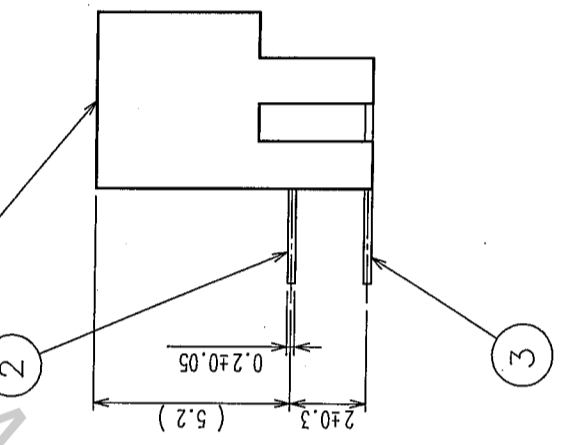
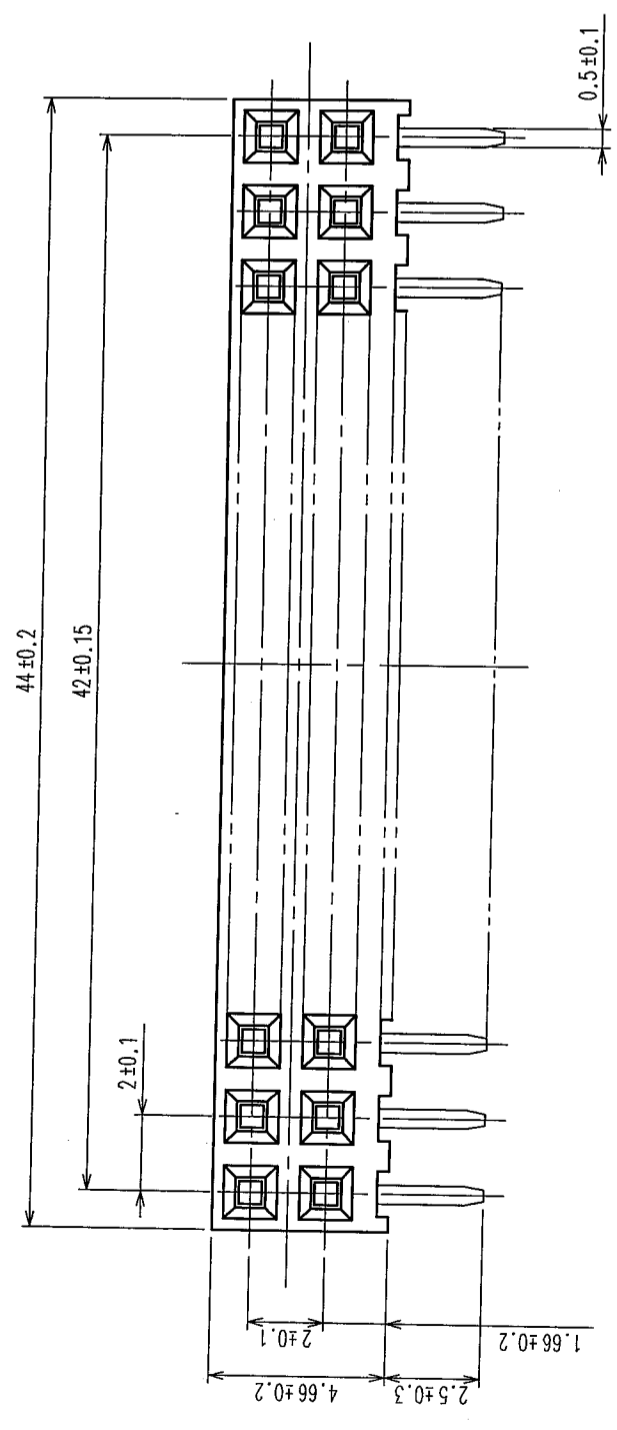
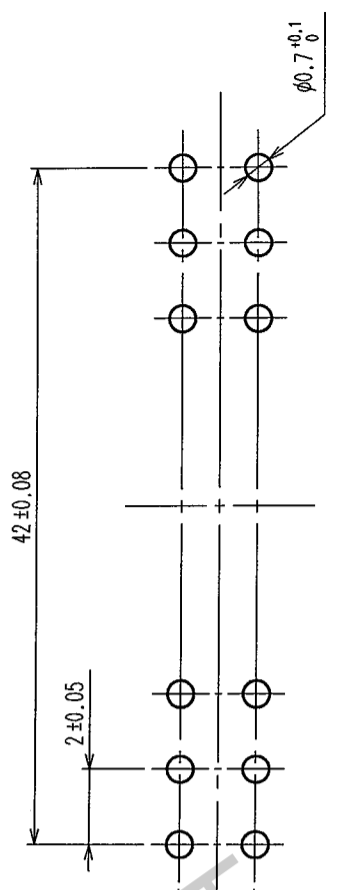


COUNT	DESCRIPTION OF REVISIONS	BY	CHKD	DATE	COUNT	DESCRIPTION OF REVISIONS	BY	CHKD	DATE
△					△				
△					△				
△					△				

RECOMMENDED PC BOARD HOLE PATTERN  
(MOUNTING SIDE)



- NOTES  
 1 THE CONTACT CUT SECTION IS UNPLATED  
 2 THE DIMENSIONS IN PARENTHESES ARE FOR REFERENCE.

NO.		MATERIAL		FINISH, REMARKS		DRAWN		DESIGNED		CHECKED		APPROVED		RELEASED	
1	PBT	BLACK UL94V-0													
CODE NO. (OLD)		CL				K. Doi		K. Doi		K. Doi		K. Doi			
						'04.12.02		'04.12.02		'04.12.02		'04.12.02			
SCALE		FR:EE													
UNITS		mm													
DRAWING NO.		EDC3-082296-21		PART NO.		A3-44DA-2DS(71)									
				CODE NO.		CL621-0711-9-71									

TO
PCK