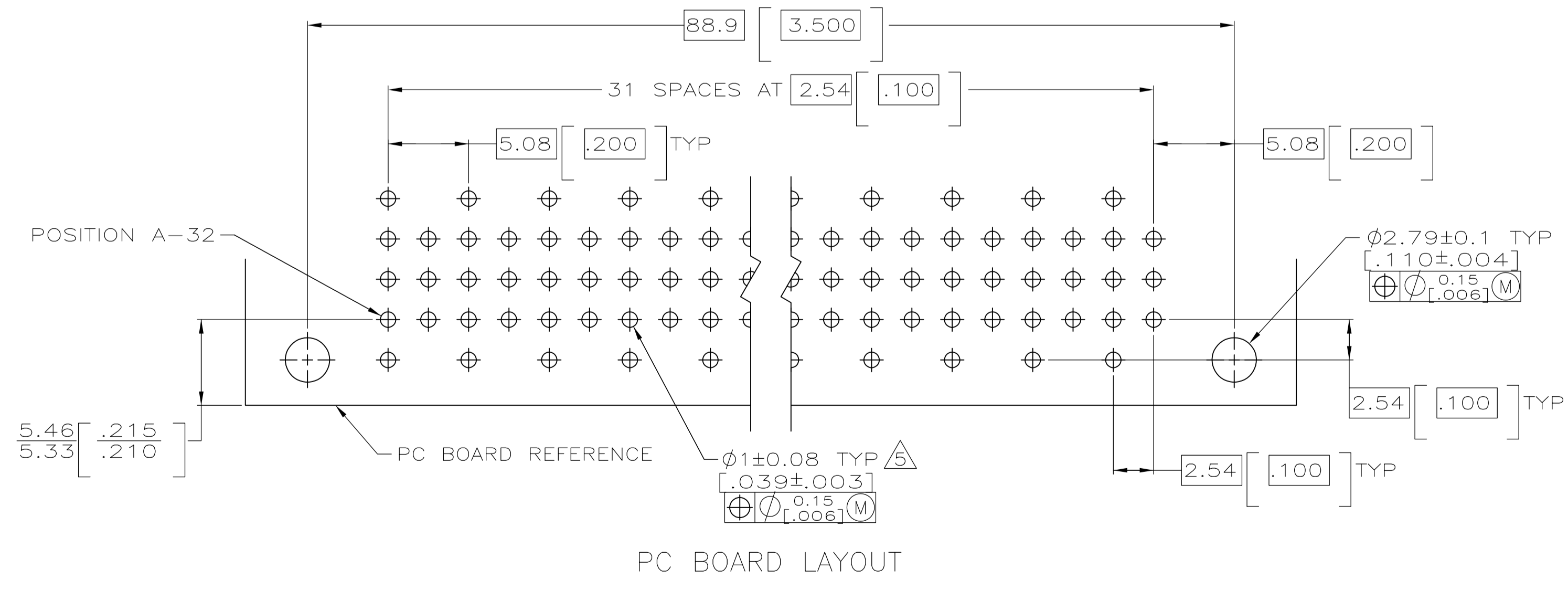
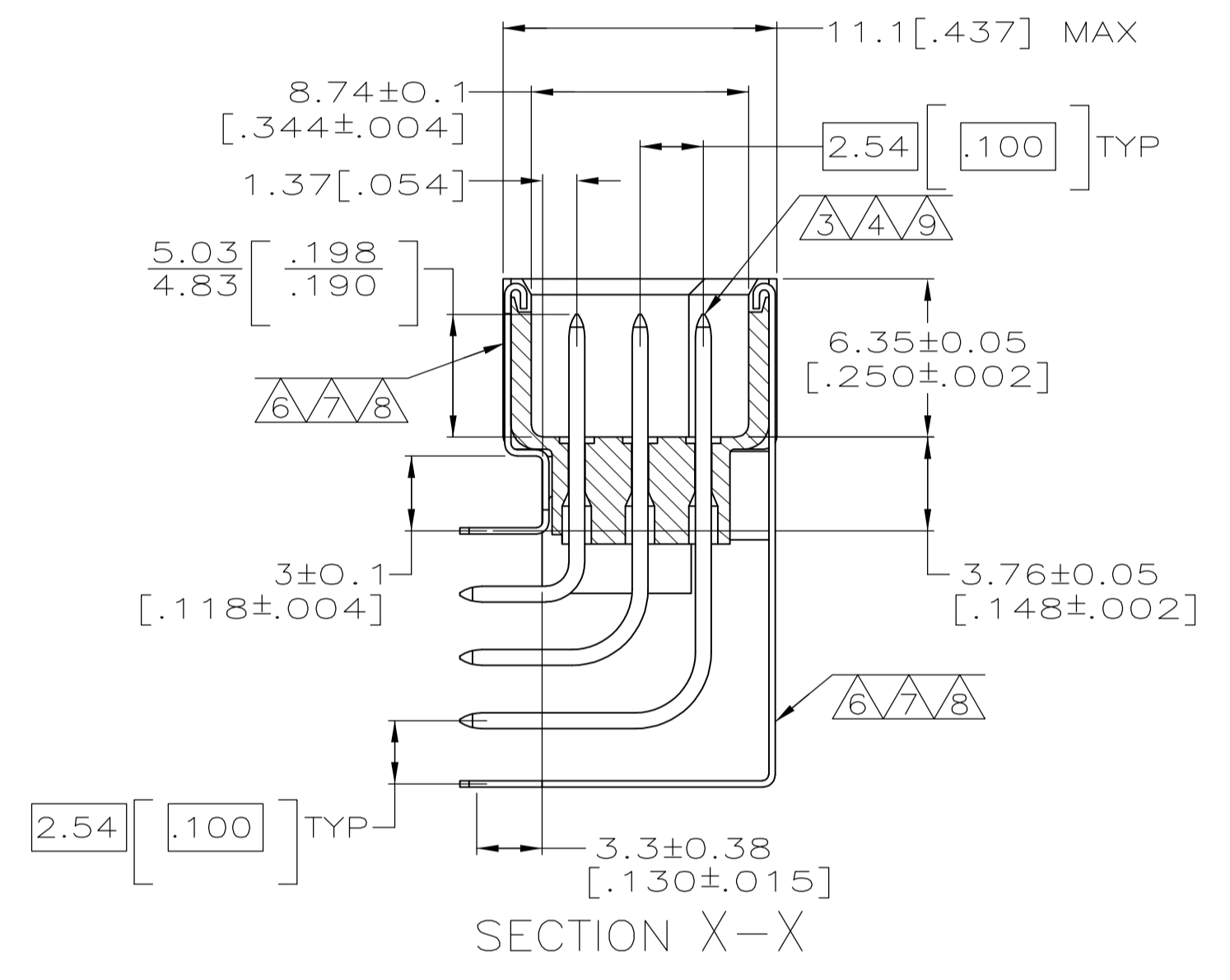
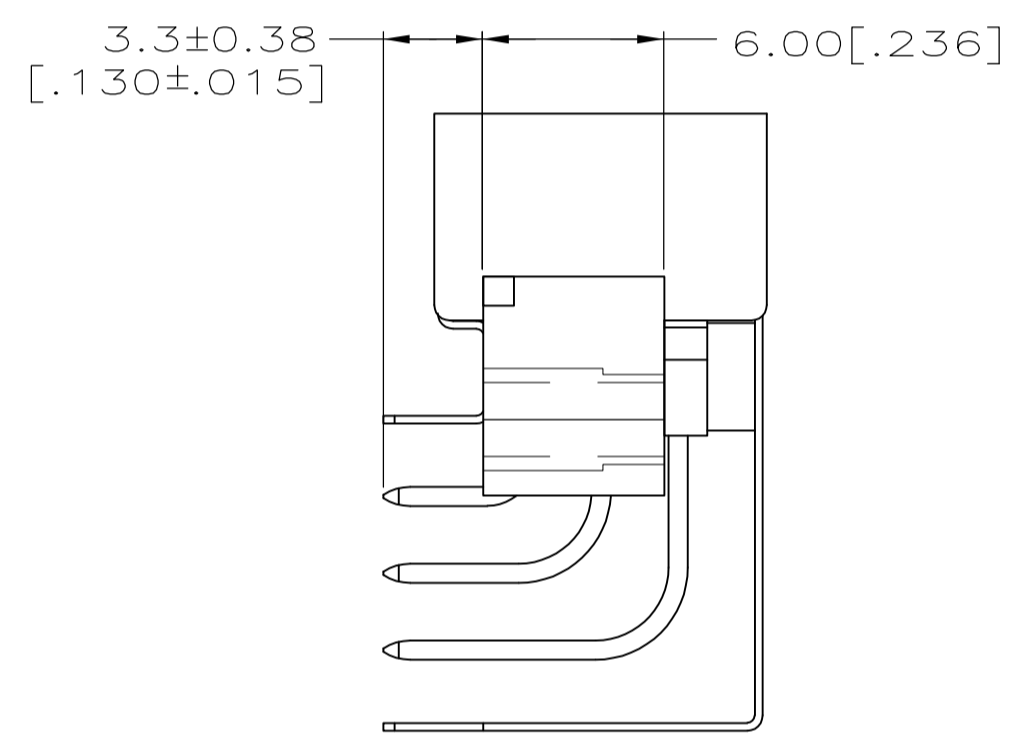
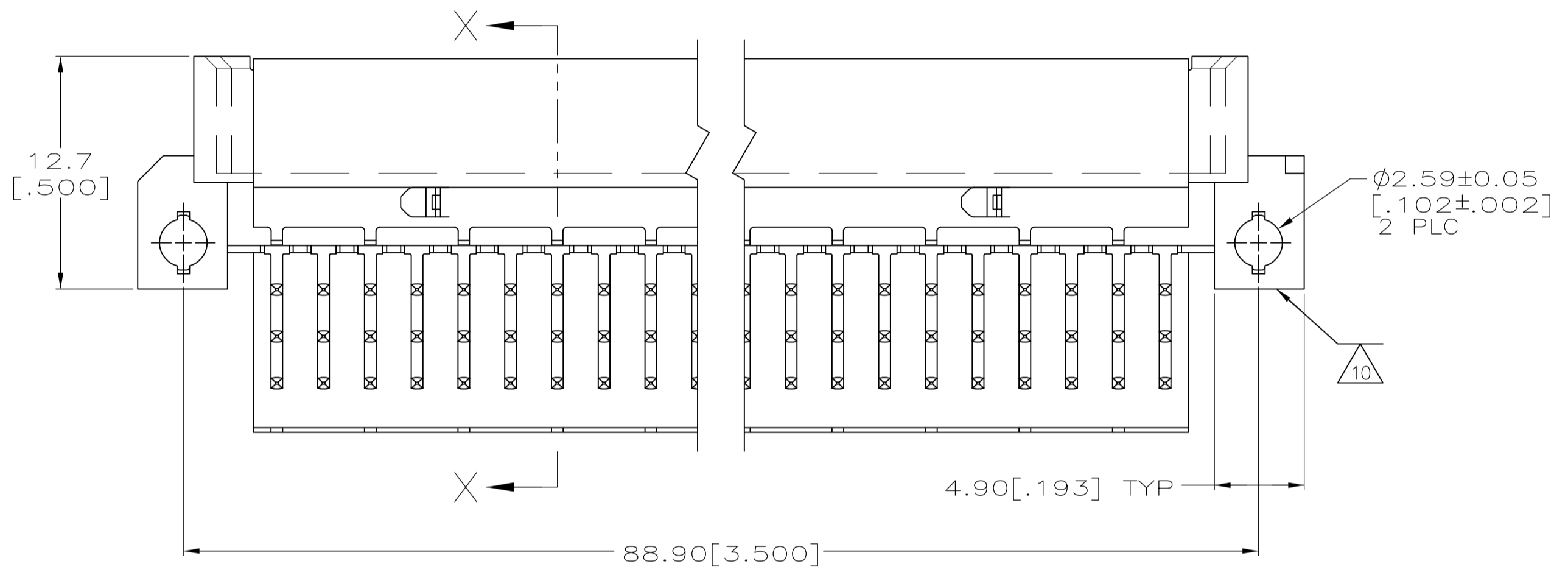
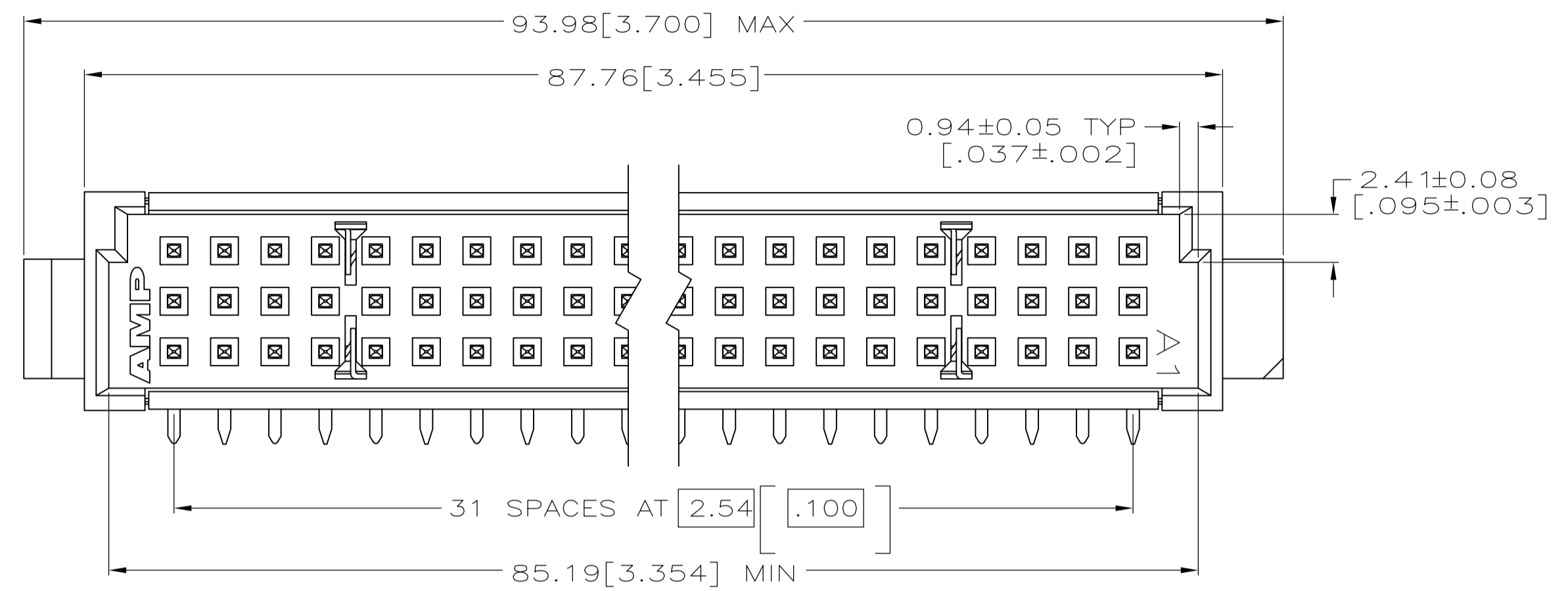


LOC		DIST		REVISIONS			
F	LTR	DESCRIPTION	DATE	DN	APVD		
G		REVISED PER ECO-07-007578	26APR07	DH	DB		



- 1 HOUSING MATERIAL: HIGH TEMPERATURE, GLASS-FILLED POLYMER
COLOR: GRAY OR WHITE
- 2 POST AND GROUND PLATE MATERIAL: BRASS.
- 3 POST FINISH: DIN 41612 CLASS 2 IN CONTACT AREA.
TIN-LEAD PLATE ON POSTS.
- 4 POST FINISH: DIN 41612 CLASS 3 IN CONTACT AREA.
TIN-LEAD PLATE ON POSTS.
- 5 RECOMMENDED HOLE SIZE FOR MANUAL APPLICATION OF
CONNECTOR ONTO PC BOARD.
- 6 GROUND PLATE FINISH: DIN 41612 CLASS 2 IN CONTACT AREA.
TIN-LEAD PLATE ON POSTS.
- 7 GROUND PLATE FINISH: DIN 41612 CLASS 3 IN CONTACT AREA.
TIN-LEAD PLATE ON POSTS.
- 8 GROUND PLATE FINISH: 0.00127 [.000050] GOLD IN CONTACT AREA.
0.00127 [.000050] NICKEL UNDERPLATE ALL OVER. TIN-LEAD PLATE ON POSTS.
- 9 POST FINISH: 0.00127 [.000050] GOLD IN CONTACT AREA.
0.00127 [.000050] NICKEL UNDERPLATE ALL OVER. TIN-LEAD PLATE ON POSTS.
- 10 MOLD REVISION DATE CODE MOLDED IN THIS AREA.
- 11 OBSOLETE PART NUMBER.

FINISH	ASSY PART NUMBER
4	536146-9
3	536146-5
8	536146-1

THIS DRAWING IS A CONTROLLED DOCUMENT.

DIMENSIONS: INCHES	TOLERANCES UNLESS OTHERWISE SPECIFIED:	DIN L. BRINER 2/24/92	tyco Electronics	Tyco Electronics Corporation Harrisburg, PA 17105-3608
0 PLC ± -	1 PLC ± -	CHK D.C. RUBENDALL 3/8/92	NAME	
2 PLC ± -	3 PLC ± 0.13 [.005]	APVD	PRODUCT SPEC	
4 PLC ± -	ANGLES ± -		APPLICATION SPEC	
MATERIAL HSG: 1	FINISH POST: 3	WEIGHT	SIZE A1	CAGE CODE 00779
POST: 1	GROUND PLATE: 6	CUSTOMER DRAWING	DRAWING NO. 536146	RESTRICTED TO

SCALE 4:1 SHEET 1 OF 1 REV G