

# Customer Information Sheet

DRAWING No.: M22-274XXXX

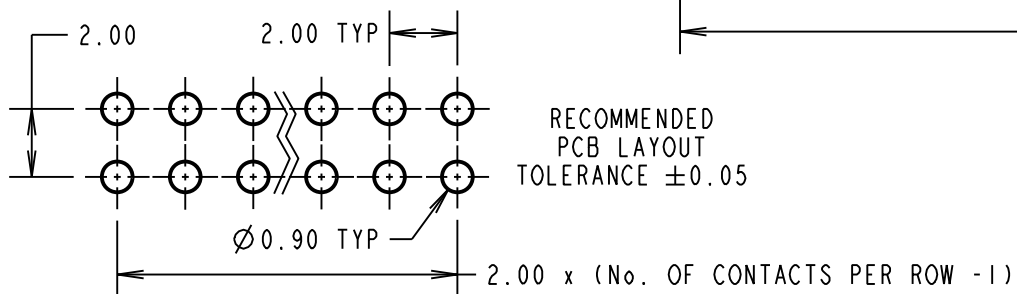
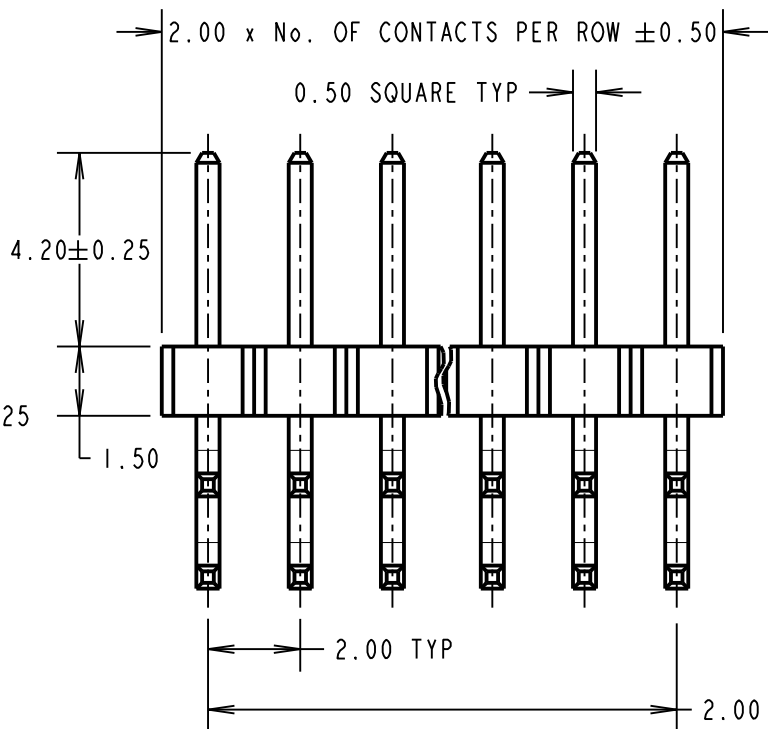
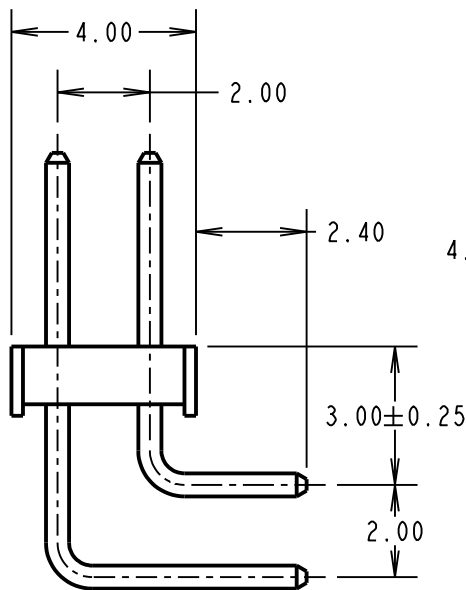
IF IN DOUBT - ASK

©

NOT TO SCALE

THIRD ANGLE PROJECTION

ALL DIMENSIONS IN mm



RECOMMENDED  
PCB LAYOUT  
TOLERANCE  $\pm 0.05$

**SPECIFICATIONS:**

**MATERIAL:**

MOULDING = NYLON 6T, UL94V-0, BLACK

CONTACTS = PHOSPHOR BRONZE

**FINISH:**

05 = GOLD FLASH OVER NICKEL

46 = 100% TIN OVER NICKEL

**ELECTRICAL:**

CURRENT RATING = 2A

VOLTAGE PROOF = 500V AC FOR ONE MINUTE

CONTACT RESISTANCE = 20mΩ MAX

INSULATION RESISTANCE:

INITIAL = 1,000MΩ MIN

**MECHANICAL:**

DURABILITY = 300 OPERATIONS MIN

**ENVIRONMENTAL:**

TEMPERATURE RANGE = -40°C TO +105°C

**PACKING:**

BAG

FOR COMPLETE SPECIFICATION, SEE  
COMPONENT SPECIFICATION C018XX (LATEST ISSUE)

ORDER CODE:

**M22-274XXXX**

No. OF CONTACTS PER ROW  
02 TO 20

FINISH

05 - GOLD FLASH OVER NICKEL  
46 = 100% TIN OVER NICKEL

MSP	5	21.08.17	20746
NAME	ISS.	DATE	C/NOTE
APPROVED: M.PERREN			
CHECKED: M.PLESTED			
DRAWN: S.BENNETT			
CUSTOMER REF.:			
ASSEMBLY DRG:			

**NOTES:**

1. ALL TOLERANCES ARE  $\pm 0.20$  UNLESS OTHERWISE STATED.

**HARWIN**

www.harwin.com  
technical@harwin.com

THIS DRAWING AND ANY INFORMATION OR DESCRIPTIVE MATTER SET OUT HEREON ARE CONFIDENTIAL AND COPYRIGHT PROPERTY OF THE HARWIN GROUP AND MUST NOT BE DISCLOSED, LOANED, COPIED OR USED FOR MANUFACTURING, TENDERING OR FOR ANY OTHER PURPOSE WITHOUT THEIR WRITTEN PERMISSION.

**TOLERANCES**

~~X. =  $\pm 1$ mm  
X.X =  $\pm 0.50$ mm  
X.XX =  $\pm 0.10$ mm  
X.XXX =  $\pm 0.01$ mm~~

ANGLES =  $\pm 5^\circ$   
UNLESS STATED

**MATERIAL:**

SEE ABOVE

**FINISH:**

SEE ABOVE

**S/AREA:**

mm<sup>2</sup>

**TITLE:**

2.00mm PITCH DIL  
HORIZONTAL PC TAIL PIN HDR

**DRAWING NUMBER:**

**M22-274XXXX**

SHT  
2  
OF 2